

BRANCH LOCATIONS

APE MEXICO

Ph: (786) 991-6875
Fx: (253) 872-8710

APE HOLLAND

Ph: +31 (0) 593 54 08 91
Fx: +31 (0) 593 27 84

IMCO AUSTRIA

Ph: (43) 1328-9980
Fx: (43) 1328-9944

FAE SINGAPORE

Ph: (65) 6863-1633
Fx: (65) 6863-1455

APE RUSSIA

Ph: 7-495-603-5345
Fx: 7-495-603-5345

APE CHINA

Ph: 011-86-21-5677-1221
Fx: 011-86-21-3604-0553

APE CORPORATE

7032 South 196th Street
Kent, WA 98032
Ph: (253) 872-0141
Fx: (253) 872-8710
(800) 248-8498

APE WEST COAST

2985 Loomis Road
Stockton, CA 95205
Ph: (209) 942-2166
Fx: (209) 942-2455
(888) 245-4401

APE MID-WEST

50 Gerber Industrial Dr
St. Peters, MO 63379
Ph: (636) 397-8400
Fx: (636) 278-4278
(877) 296-8044

APE NORTHEAST

401 Hartle Street
Sayreville, NJ 08872
Ph: (732) 432-6604
Fx: (732) 432-6608
(888) 217-7524

APE MID-ATLANTIC

500 Newtown Road, #200
Virginia Beach, VA 23462
Ph: (757) 518-9740
Fx: (757) 518-9741
(866) 399-7500

APE GULF

3975 FM Hwy 1485
Conroe, TX 77306
Ph: (936) 271-1044
Fx: (936) 271-1046
(800) 596-2877

APE SOUTHEAST

1345 Industrial Park Rd.
Mulberry, FL 33860
Ph: (863) 324-0378
Fx: (863) 318-9409
(800) 570-3844



APE HYDRAULIC DRILLING RIG

GO DEEP OR GO HOME



800-248-8498

WWW.APEVIBRO.COM
WWW.JANDM-USA.COM



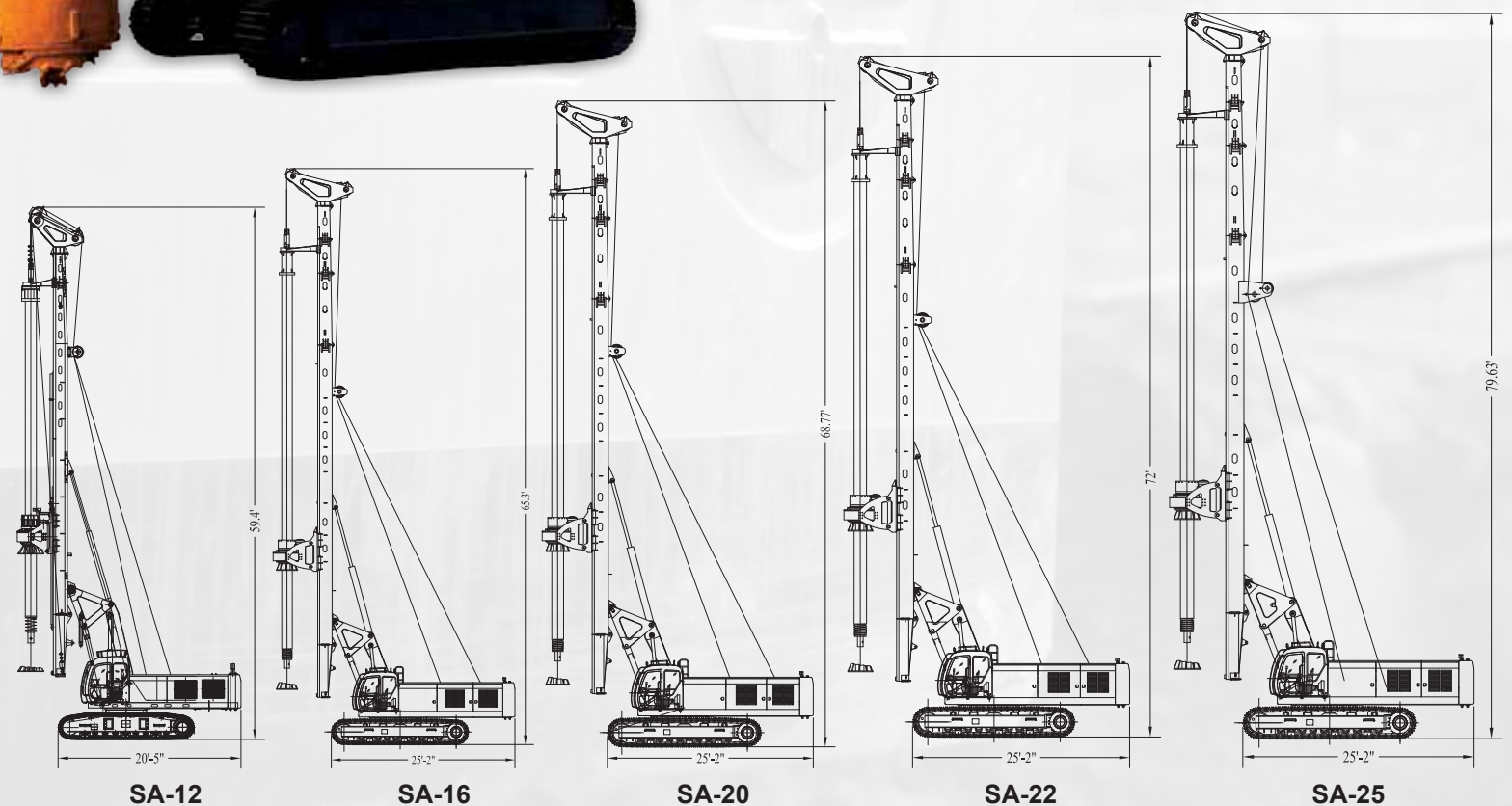
800-248-8498

WWW.APEVIBRO.COM
WWW.JANDM-USA.COM



DRILL RIG SPECIFICATIONS

SPECIFICATIONS		UNITS	SA-12	SA-16	SA-20	SA-22	SA-25
Dimensions	Working	ft m	25 x 12.3 x 61 7.6 x 3.8 x 18.7	27.9 x 13.8 x 66.6 8.5 x 4.2 x 20.3	29.9 x 14.1 x 68.6 9.1 x 4.3 x 20.9	29.9 x 14.4 x 74.5 9.11 x 4.4 x 22.7	33.8 x 14.8 x 79.6 10.3 x 4.5 x 24.3
	Transport	ft m	44.3 x 8.5 x 10.8 13.5 x 2.6 x 3.3	48.9 x 9.5 x 11.2 14.9 x 2.9 x 3.4	51.2 x 9.8 x 11.2 15.6 x 3.0 x 3.4	54.1 x 9.8 x 11.2 16.5 x 3.0 x 3.4	58.1 x 9.8 x 11.1 17.7 x 3.0 x 3.4
Total Weight		tonne / ton	45 / 49.6	58 / 63.9	65 / 71.6	71 / 78.3	78 / 86
Max Drill Diameter	With Casing	in / mm	39.4 / 1000	51.2 / 1300	59.1 / 1500	66.9 / 1700	70.9 / 1800
	Without Casing	in / mm	59.1 / 1500	70.9 / 1800	78.7 / 2000	78.7 / 2000	98.4 / 2500
Max Drill Depth w/ Friction Kelly Bar		ft / m	184 / 56 5 Sections	197 / 60 5 Sections	207 / 63 or 164 / 50 5 Sections	236 / 72 5 Sections	282 / 86 6 Sections
Max Drill Depth w/ Locking Kelly Bar		ft / m	135 / 41 4 Sections	158 / 48 4 Sections	167 / 51 or 158 / 48 4 Sections	187 / 57 4 Sections	226 / 69 5 Sections
Minimum Working Radius		ft / mm	10.2 / 3095	11.5 / 3495	12.5 / 3792	12.5 / 3792	13.9 / 4240
Engine	Brand		Cummins	Cummins	Cummins	Cummins	Cummins
	Model		QSB6.7-C220	QSB6.7-C260	QSL9-325	QSL9-325	QSM11-335
	Rated Power Output	hp / rpm kw / rpm	220 / 2,200 164 / 2,200	260 / 2,200 194 / 2,200	325 / 2,100 242 / 2,100	325/2,100 242/2,100	335/2,100 250/2,100
Hydraulic System	Max Pressure Main Pump	psi / mpa	4,931 / 34	4,931 / 34	4,641 / 32	4,786 / 33	4,061 / 28
	Max Pressure Aux Pump	psi / mpa	3,771 / 26	3,771 / 26	4,061 / 28	4,061 / 28	4,061 / 28
	Max Oil Flow Main Pump	gal / min L / min	79 / 300	104 / 395	111 / 420	111 / 420	137 / 520
	Max Oil Flow Aux Pump	gal / min L / min	26 / 99	26 / 99	24 / 90	24 / 90	37 / 140
Rotary Head (Table)	Max. Torque	ft-lb / KN. m	118,010 / 160	147,512 / 200	165,951 / 225	190,291 / 258	206,517 / 280
	Speed (Rev)	rpm	6 ~ 32	6 ~ 26	6 ~ 26	6 ~ 26	6 ~ 28
	Spin-Off Rate	rpm	130 Optional	130 Optional	130 Optional	110 / 130 Optional	130 Optional
Crowd Cylinder (Winch)	Max Crowd Force Push	lbs / KN	24,729 / 110	41,590 / 185	41,590 / 185	41,590 / 185	41,590 / 185
	Max Crowd Force Pull	lbs / KN	33,721 / 150	47,210 / 210	47,210 / 210	47,210 / 210	47,210 / 210
	Max. Stroke	ft / mm	13.0 / 4,000	16.4 / 5,000	16.4 / 5,000	16.4 / 5,000	19.7 / 6,000
Main Winch	Max Line Pull	lbs / KN	30,349 / 135	38,218 / 170	40,466 / 180	58,450 / 260	58,450 / 260
	Max Line Speed	ft / min m / min	210 / 64	246 / 75	240 / 73	167 / 51	722 / 65
	Wire Rope Diameter	in / mm	0.940 / 24	1.000 / 26	1.125 / 28	1.250 / 32	1.250 / 32
Auxiliary Winch	Max Line Pull	lbs / KN	11,240 / 50	17,985 / 80	17,985 / 80	17,985 / 80	24,729 / 110
	Max Line Speed	ft / min m / min	165 / 50	180 / 55	180 / 55	180 / 55	180 / 55
	Wire Rope Diameter	in / mm	0.750 / 18	0.810 / 20	0.810 / 20	0.810 / 20	0.940 / 24
Drill Mast Obliquity	Sideward Inclination	deg.	+/- 5	+/- 5	+/- 5	+/- 5	+/- 4
	Forward Inclination	deg.	5	5	5	5	5
Swing Platform	Swing Angle	deg.	360	360	360	360	360
	Swing Speed	rpm	3.0	3.2	3.0	3.0	3.0
Chassis	Max Travel Speed	mph / kmh	1.0 / 1.5	1.0 / 1.63	1.0 / 1.63	2.0 / 3.5	1.1 / 1.75
	Max Travel Slope	deg.	15	15	15	15	15
	Min. Ground Clearance	in / mm	13.9 / 354	11.7 / 296	12.8 / 325	12.8 / 325	16.6 / 421
	Width Of Track Shoes	in / mm	23.6 / 600	27.6 / 700	31.5 / 800	31.5 / 800	35.4 / 900
	Overall Width of Crawler	in / mm	100.4 - 148.6 2,550 - 3,750	114.2 - 165.4 2,900 - 4,200	118.1 - 169.3 3,000 - 4,300	118.1 - 173.2 3,000 - 4,400	118.1 - 177.2 3,000 - 4,500
Overall Length of Crawler	in / mm	151.6 / 3,850	166.9 / 4,240	166.9 / 4,240	185 / 4,700	185 / 4,700	



Note: All technical specifications are subject to change without notice. Max Drill Depths may vary due to Kelly Bars configured with rig, multiple configurations are available.