



APE Single Acting Diesel Impact Hammer

THE WORLD'S LARGEST PILEDRIVERS

Model D12-42

SPECIFICATIONS

Stroke at Maximum Rated Energy	135 in (343 cm)
Maximum Rated Energy (Setting 4)	29,768 ft-lbs (40.36 kNm)
(Setting 3)	24,707 ft-lbs (33.50 kNm)
(Setting 2)	19,647 ft-lbs (26.64 kNm)
Minimum Rated Energy (Setting 1)	14,586 ft-lbs (19.78 kNm)
<i>(VARIABLE THROTTLE ALLOWS FOR INFINITE FUEL SETTING)</i>	
Maximum Obtainable Stroke	150 in (381 cm)
Maximum Obtainable Energy	33,075 ft-lbs (44.84 kNm)
Speed (Blows Per Minute)	34-53

WEIGHTS (APPROXIMATE)

Piston	2,646 lbs (1,200 kg)
Anvil	604 lbs (274 kg)
Anvil Cross Sectional Area	124.42 in ² (802.71 cm ²)
Hammer Weight (Includes Trip Device)	6,890 lbs (1,950 kg)
Typical Operating (Weight With DB26 & H-Beam insert)	9,454 lbs (4,288 kg)

CAPACITIES

Fuel Tank (Runs on Diesel or Bio-Diesel)	6.2 Gal (23 Liters)
Oil Tank	1.6 Gal (6 Liters)

CONSUMPTION

Diesel or Bio-Diesel	1.17 Gal/hr (4.4 Liters/hr)
Oil Tank	0.13 Gal/hr (.49 Liters/hr)
Grease	8 to 10 Pumps Every 20 Minutes of Operation Time.

STRIKER PLATE FOR DB26

Weight	628 lbs (284 kg)
Diameter	22.5 in (57.15 cm)
Area	398 in ² (2,567.74 cm ²)
Thickness	6 in (15.24 cm)

STRIKER PLATE FOR DB20

Weight	440 lbs (199 kg)
Diameter	17.75 in (45 cm)
Area	247 in ² (1,593.55 cm ²)
Thickness	6 in (15.24 cm)

CUSHION MATERIAL

Type	Monocast MC 904
Diameter-DB26	22.5 in (57.15 cm)
Diameter-DB20	17.75 in (45.08 cm)
Thickness	2 in (5.08 cm)
Elastic-Modulus	285 ksi (1,965 mpa)
Coeff. of Restitution	0.8

DRIVE CAP

DB 26:	1,076 lbs (488 kg)
DB 20:	750 lbs (340 kg)

INSERT WEIGHT

H-Beam Insert for 12" (305mm) and 14" (355 mm):	948 lbs (430 kg)
Large Pipe Insert for the Sizes 12" to 24" Diameter:	1,830 lbs (830 kg)

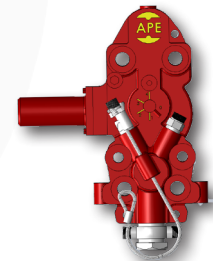
MINIMUM LEADER SIZE/OPERATING LENGTH

Minimum Box Leader Size	8 in x 21 in (20.32 cm x 53.34 cm)
Operating Length as Described Above	348 in (883.92 cm)

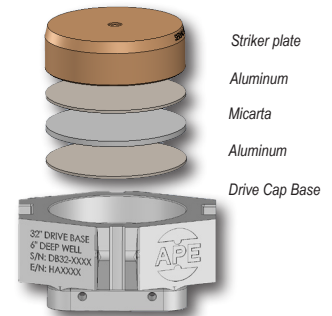


Image may not represent actual Model

Optional Variable Throttle Control



Drive Base Assembly



Specifications may vary due to site conditions, specific hammer conditions or product set up.

Specifications may change without notice.

Consult the factory for details on any specific product (800) 248-8498.

Copyright © 2022 American Piledriving Equipment Inc. All Rights Reserved



WWW.AMERICANPILEDIVING.COM

Ape@americanpiledriving.com