



# APE Single Acting Diesel Impact Hammer

## THE WORLD'S LARGEST PILEDRIERS

### Model D62-52

### SPECIFICATIONS

Stroke at Maximum Rated Energy	135 in (343 cm)
Maximum Rated Energy (Setting 4)	153,799 ft-lbs (208.51 kNm)
(Setting 3)	127,653 ft-lbs (173.07 kNm)
(Setting 2)	101,507 ft-lbs (137.62 kNm)
Minimum Rated Energy (Setting 1)	75,361 ft-lbs (102.17 kNm)
<i>(VARIABLE THROTTLE ALLOWS FOR INFINITE FUEL SETTING)</i>	
Maximum Obtainable Stroke	150 in (381 cm)
Maximum Obtainable Energy	170,888 ft-lbs (231.68 kNm)
Speed (Blows Per Minute)	34-53

### WEIGHTS (APPROXIMATE)

Piston	13,669 lbs (6,200 kg)
Anvil	2,425 lbs (1,100 kg)
Anvil Cross Sectional Area	367.94 in <sup>2</sup> (2,373.80 cm <sup>2</sup> )
Hammer Weight (Includes Trip Device)	29,100 lbs (13,200 kg)
Typical Operating (Weight With DB26 & H-Beam insert)	34,402 lbs (15,604 kg)

### CAPACITIES

Fuel Tank (Runs on Diesel or Bio-Diesel)	25.5 Gal (96.5 Liters)
Oil Tank	8.2 Gal (31 Liters)

### CONSUMPTION

Diesel or Bio-Diesel	5.2 Gal/hr (19.68 Liters/hr)
Oil Tank	0.52 Gal/hr (1.96 Liters/hr)
Grease	8 to 10 Pumps Every 20 Minutes of Operation Time.

### STRIKER PLATE FOR DB32

Weight	1,036 lbs (470 kg)
Diameter	25 in (63.5 cm)
Area	491 in <sup>2</sup> (3,167.74 cm <sup>2</sup> )
Thickness	8 in (20.32 cm)

### CUSHION MATERIAL

Type/Qty	Micarata / 2 each
Diameter-DB32	25 in (63.5 cm)
Thickness	1 in (2.54 cm)
Type/Qty	Aluminum / 3 each
Thickness	1/2 in (1.27 cm)
Diameter	25 in (63.5 cm)
Total Combined Thickness	3.5 in (8.89 cm)
Area	491 in <sup>2</sup> (3,167.74 cm <sup>2</sup> )
Elastic-Modulus	285 ksi (1,965 mpa)
Coeff. of Restitution	0.8

### DRIVE CAP

DB 32:	2,436 lbs (1,105 kg)
--------	----------------------

### INSERT WEIGHT

H-Beam Insert for 12" (305mm) and 14" (355 mm):	948 lbs (430 kg)
Large Pipe Insert for the Sizes 12" to 24" Diameter:	1,830 lbs (830 kg)

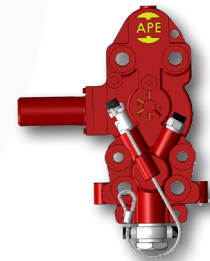
### MINIMUM LEADER SIZE/OPERATING LENGTH

Minimum Box Leader Size	8 in x 32 in (20.32 cm x 81.28 cm)
Operating Length as Described above	374 in (949.96 cm)

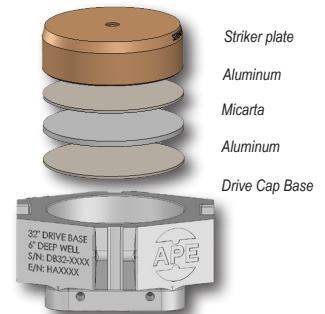


Image may not represent actual Model

Optional Variable Throttle Control



Drive Base Assembly



Specifications may vary due to site conditions, specific hammer conditions or product set up. Specifications may change without notice. Consult the factory for details on any specific product (800) 248-8498.

Copyright © 2022 American Piledriving Equipment Inc. All Rights Reserved



WWW.AMERICANPILEDIVING.COM

Ape@americanpilediving.com