



APE Single Acting Diesel Impact Hammer

THE WORLD'S LARGEST PILEDRIVERS

Model D320

Equipped with a 3,200mm Bottom Drive

SPECIFICATIONS

Stroke at Maximum Rated Energy	135 in (343 cm)
Maximum Rated Energy (Setting 4)	793,688 ft-lbs (1,076.04 kNm)
(Setting 3)	658,761 ft-lbs (893.11 kNm)
(Setting 2)	523,834 ft-lbs (710.19 kNm)
Minimum Rated Energy (Setting 1)	388,907 ft-lbs (527.26 kNm)
<i>(VARIABLE THROTTLE ALLOWS FOR INFINITE FUEL SETTING)</i>	
Maximum Obtainable Stroke	150 in (381 cm)
Maximum Obtainable Energy	881,875 ft-lbs (1,195.60 kNm)
Speed (Blows Per Minute)	36-45

WEIGHTS (APPROXIMATE)

Piston	70,550 lbs (32,000 kg)
Hammer Weight (Includes Trip Device)	152,000 lbs (68,946 kg)
Typical Operating (Weight With Offshore Leader)	Consult Factory

CAPACITIES

Fuel Tank (Runs on Diesel or Bio-Diesel)	145 Gal (548.8 Liters)
Oil Tank	21 Gal (79.4 Liters)

CONSUMPTION

Diesel or Bio-Diesel	23.78 Gal/hr (90 Liters/hr)
Oil Tank	1.58 Gal/hr (5.6 Liters/hr)
Grease	8 to 10 Pumps Every 20 Minutes of Operation Time.

STRIKER PLATE

Weight	Consult Factory
Diameter	37 in (93.98 cm)
Thickness	40 in (101.6 cm)

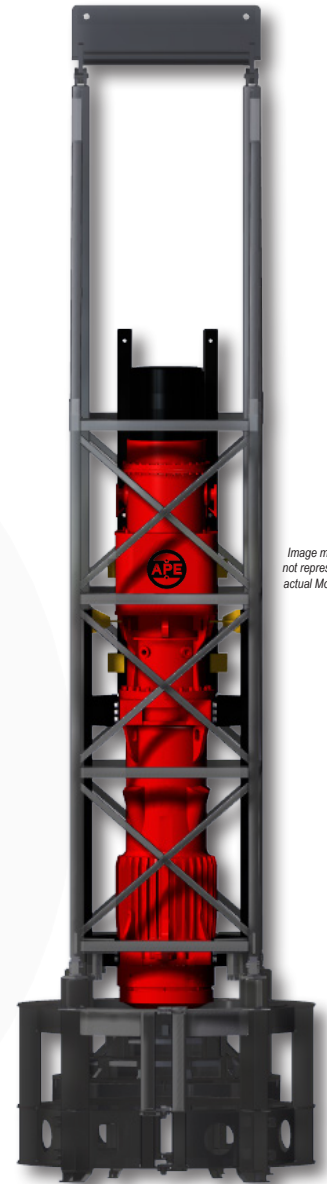
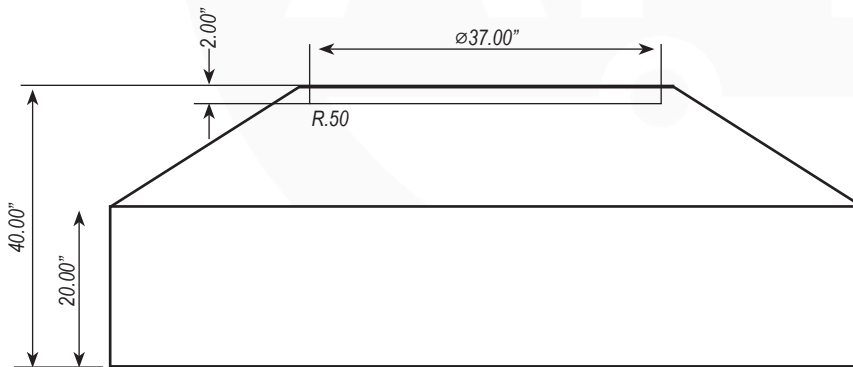
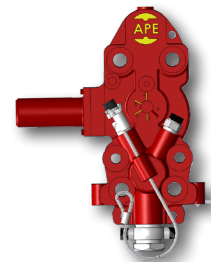


Image may not represent actual Model

Optional Variable Throttle Control



MINIMUM BOX LEAD SIZE / OPERATING LENGTH

Minimum Box Leader Size	Consult Factory
Hammer Operating Length	Consult Factory



WWW.AMERICANPILEDIVING.COM
Ape@americanpiledriving.com



Specifications may vary due to site conditions, specific hammer conditions or product set up.
Specifications may change without notice.
Consult the factory for details on any specific product (800) 248-8498.
Copyright © 2022 American Piledriving Equipment Inc. All Rights Reserved