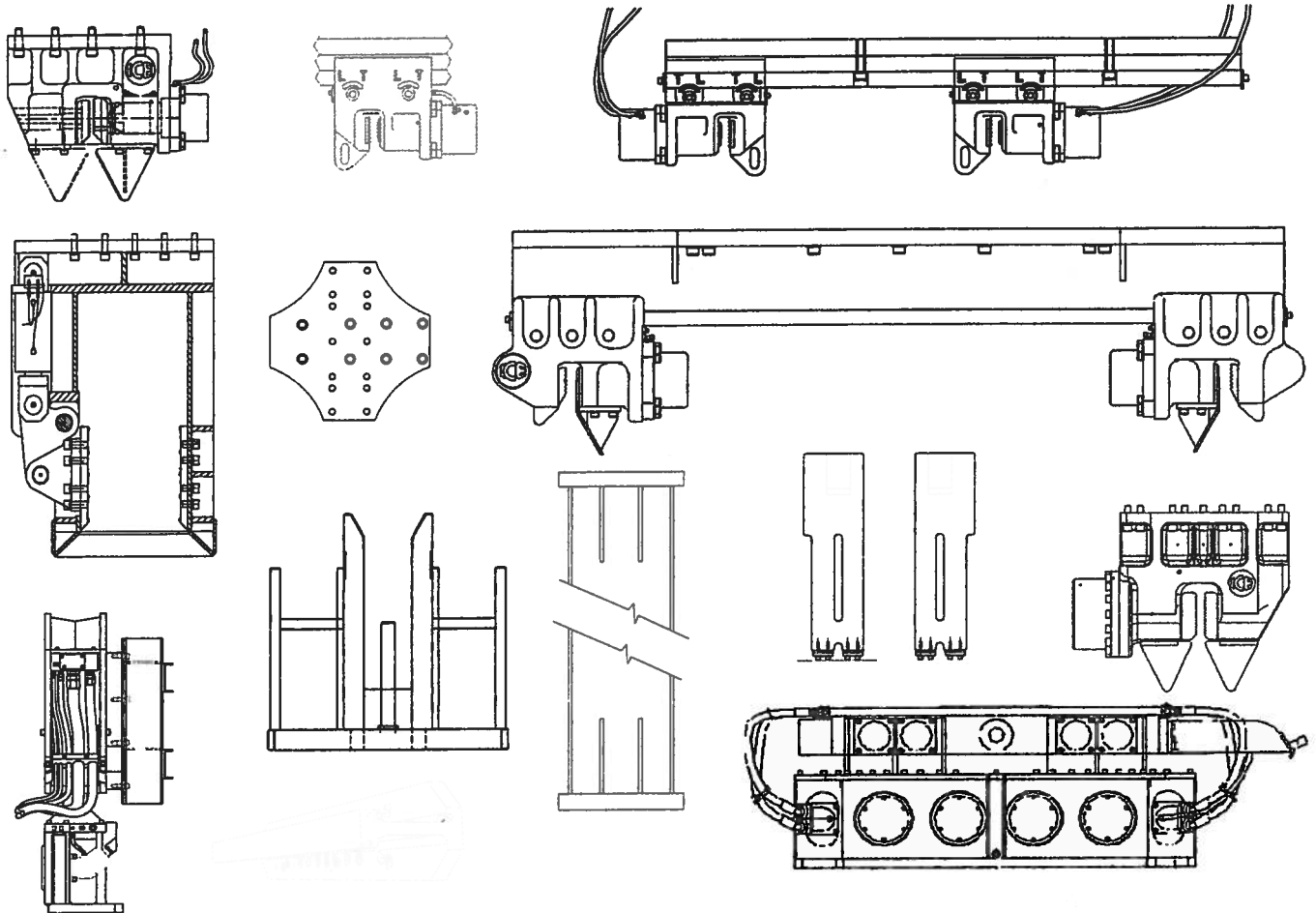

PARTS MANUAL

VIBRATOR CLAMPS AND ACCESSORIES



INTERNATIONAL CONSTRUCTION EQUIPMENT, INC.

Specializing in Pile Driving and Drilling Equipment

Corporate offices: 301 Warehouse Drive, Matthews NC 28104 USA

www.iceusa.com

Parts Contacts

Phones: 704 821-8200, 888 ICEUSA1

Fax: 704 973-0985

Email: parts@iceusa.com

Sales & Service contacts

Phones: 704 821-8200, 888 ICEUSA1

Fax: 704 821-8201

Email: info@iceusa.com

ICE Regional Parts & Service Locations

Mid-Atlantic & Eastern Canada

259 Jernee Mill Road
Sayreville NJ 08872
Phones: 732 257-8650
Fax: 732 257-8659
Drilling equipment: 732 493-6973

Florida & Caribbean

310 Winston Creek Parkway
Lakeland FL 33809
Phones: 800 541-8244, 863 682-7996
Fax: 863 680-1540

Gulf Coast

1250 L&A Road
Metairie LA 70001
Phones: 504 828-3820, 504 836-2060
Fax: 504 828-3822

Western US & Western Canada

8101 Occidental Avenue South
Seattle WA 98108
Phones: 800 247-4335, 206 764-4787
Fax: 206 764-4985

Southeast & International

301 Warehouse Drive
Matthews NC 28104
Phones: 888 ICEUSA1, 704 821-8200
Fax: 704 821-8201, 704 821-4349

Midwest

5025 New Haven Avenue
Fort Wayne IN 46803
Phones: 800 348-1890
Fax: 260 426-8717

Texas & West

30095 US Highway 90
Katy TX 77494
Phone: 832 795-4073
Fax 832 201-0413

International

301 Warehouse Drive
Matthews NC 28104 USA
Phones: 704 821-8200
Fax: 704 821-8201, 704 821-4349

INTRODUCTION

Literature

This manual contains parts information for your ICE equipment. This manual should be stored in or near the power unit in a literature holder or literature storage area. Read, study and keep it with the equipment literature, ICE Operating and Maintenance Manual and CAT engine information. English is the primary language for the ICE publications. The English used facilities translation and consistency in electronic media deliver. Some photographs or illustrations in this manual show details or attachments that may be different from your equipment. Guards and covers may have been removed for illustrative purposes. Continuing improvement and advancement of product design may have caused changes to your equipment which are not included in this manual. Whenever a question arises regarding your equipment or this manual, please consult ICE or your ICE distributor for the latest available information.

Equipment Manual Set

The manuals for your ICE vibrator consists four manuals – 1) an Operation and Maintenance Manual for your power unit and vibrator, 2) a Parts Manual for your power unit, 3) a Parts Manual for your vibrator, and 4) a Vibrator Clamp and Accessories Parts Manual.

Description, General Parts Information, Ordering Parts, Parts Lists

These sections provide information and guidance for ordering replacement parts from ICE.

Current Production and Rental Fleet

This section contains information and parts lists on clamps and accessories which are in current production or are available from the ICE rental fleet.

Older Clamps and Accessories

This section contains information on clamps and accessories which are no longer in current production. ICE generally continues to provide parts support for these items. However, all parts may not be immediately avail-

Information About Your Equipment

Clamp Model: _____	Serial Number: _____
Clamp Model: _____	Serial Number: _____
Clamp Model: _____	Serial Number: _____
Caisson Beam Size: _____	Serial Number: _____
Other: _____	Serial Number: _____
Other: _____	Serial Number: _____
Other: _____	Serial Number: _____
Other: _____	Serial Number: _____

WARRANTY

International Construction Equipment, Inc. Standard Warranty

International Construction Equipment, Inc., hereafter referred to as ICE, warrants new products sold by it to be free from defects in material and workmanship for a period of one year after date of delivery to the first user and subject to the following conditions:

ICE's obligation and liability under this warranty is expressly limited to replacing, at ICE's option, any parts that appear to ICE upon inspection to have been defective in material or workmanship. Such parts shall be provided at no cost to the user at the business establishment of ICE or at the ICE distributor of the product during regular working hours.

This warranty shall not apply to component parts or accessories not manufactured by ICE and which carry the warranty of the manufacturer thereof or to normal maintenance parts (such as filters).

Replacements or repair parts installed in the product covered by this warranty are warranted only for the remainder of the warranty as if such parts were original components of said product.

ICE's obligation under this warranty shall not include any transportation charges, costs of installation, duty, taxes or any other charges whatsoever, or any liability for direct, indirect, incidental, or consequential damage or delay.

If requested by ICE, products or parts for which a warranty claim is made are to be returned, transportation paid, to ICE.

Any improper use, including operation after discovery of defective or worn parts, operation beyond rated capacity, substitution of parts not approved by ICE or any alteration or repair by others in such manner as in ICE's judgment affects the product materially and adversely shall void the warranty.

For impact pile hammers, driving in excess of 10 blows per inch (25mm) [set of 0.1 (2.5mm) per blow] is considered practical refusal. Driving in excess of 10 blows per inch (25mm) for more than 6 inches (150mm) or driving in excess of 20 blows per inch (25mm) at all is considered improper use and will void the hammer warranty.

For vibratory drivers, driving/extracting when the movement is less than 1" (25mm) per minute is considered practical refusal. Driving/extracting when movement is less than 1" (25mm) per minute for more than 5 minutes of driving/extracting or driving at all when penetration is less than 1" (25mm) per minute and amplitude is greater than 1" (25mm) [vibrator and pile are bouncing] is considered improper use and will void the vibrator warranty. Driving/extracting when bearing covers (paint removed) are above 210°F (100°C) is considered improper use and will void the vibrator warranty. Use of a vibrator on a batter without discussing the operation with ICE and getting prior written approval is considered improper use and will void the vibrator warranty.

For limited-access drills and top-drive rotary heads, the use of a down-the-hole hammer without discussing the operation with ICE and getting prior written approval is considered improper use and will void the drill warranty.

For leads, use in lengths or at batters exceeding the initial set-up without ICE evaluating the new set-up and providing prior written approval is considered improper use and will void the leads warranty.

For power units, welding on power units or other equipment with electrical or electronic controls must be done with the battery leads disconnected. Welding with battery leads connected will void the warranty.

ICE MAKES NO OTHER WARRANTY, EXPRESSED OR IMPLIED, AND MAKES NO WARRANTY OF MERCHANTABILITY OR FITNESS FOR ANY PARTICULAR PURPOSE.

No employee or representative is authorized to change this warranty unless such change is made in writing and signed by an officer of ICE.

W10Nov09

TABLE OF CONTENTS**PAGE****Section 1: General Information**

Abbreviations.....	5
Screws and Bolts.....	5
Serial Number Locations.....	6
Fitting Description Code.....	8
Fitting Style Selector Chart.....	9
Hose Description Code.....	10

SECTION 2: CLAMP QUICK-REFERENCE CHART

Current Production Clamp Quick Reference Chart.....	11
Prior Production Clamp Quick Reference Chart.....	12

SECTION 3: CLAMP JAW QUICK-REFERENCE CHART

Clamp Jaw Quick Reference Chart.....	14
--------------------------------------	----

SECTION 4: SEAL KIT QUICK-REFERENCE CHART

Seal Kit	18
----------------	----

SECTION 5: ORDERING PARTS

Ordering parts.....	19
---------------------	----

SECTION 6: PARTS DRAWINGS & LISTS CURRENT PRODUCTION & RENTAL FLEET

Model 2.....	20
Model 5E.....	22
Model 14.....	24
Model 14, 14 -12" Pipe Clamp.....	27
Model 90.....	28
Model 140C Universal Clamp.....	31
Model 196C Universal Clamp.....	34
Model 385 Universal Clamp.....	37
Model 40 Timber/Concrete/Pipe Clamp.....	40
Model 85 Timber/Concrete Clamp.....	43
Model 100BH Caisson Clamp with HydroLock.....	46
Model 100BHL HydroLock Assembly.....	49
Model 142BH Caisson Clamp with HydroLock.....	50
Model 142BHL HydroLock Assembly.....	53
140C HydroLock Adapter.....	54
196C HydroLock Adapter.....	56
3' Caisson Beam 216B, 216E, 11, 14, 14C.....	58
5' Caisson Beam 216B, 216E, 11, 14, 14C.....	59
5' Caisson Beam 22, 28B, 28C.....	60
6' Caisson Beam 22, 28B, 28C.....	61
6.5' Caisson Beam 44, 44B, 66, 66C.....	62
6.5' Caisson Beam with 100BH Clamps.....	63
6.5' Caisson Beam with 142BH Clamps.....	64
10' Caisson Beam Assembly 84C, 110C, 1412, 360.....	65
12' Caisson Beam 44, 44B, 66, 66C with 100BH Clamps.....	67

TABLE OF CONTENTS (CONTINUED)**PAGE****SECTION 6: PARTS DRAWINGS & LISTS CURRENT PRODUCTION & RENTAL FLEET (CONTINUED)**

7' Quad Plate with 100BH Clamps 66, 66C, 84C, 110C.....	69
7' Quad Plate with 142BH Clamps 66, 66C, 84C, 110C.....	70
Quad Caisson Beam For Single Vibrator 110C, 1412, 1412B, V330, V360.....	71
Quad Caisson Beam For Tandem Vibrators 110C, 1412, 1412B, V330, V360.....	72
4' T-Bars for Quad Plates and Beams.....	73
4' H-Bars Bars for Quad Plates and Beams.....	74
Model 125C With Caisson Clamps.....	75
Bias Weight for Model 2 Vibrator.....	76
Bias Weight for Models 216, 216B, 216E, 11, 14 & 14B.....	77
Bias Weight for Model 14C.....	78
Bias Weight for Model 22, 28B Vibrators.....	79
Bias Weight for Model 28C.....	80
Bias Weights for Model 416L Vibrator.....	81
Bias Weights for Model 44 & 44B Vibrators.....	82
90o Turning Plate.....	83
10' Clamp Extension.....	84
26" Lead Sled - Model 44 & 44B Vibrators.....	85
32" Lead Sled - Model 66, 66C Vibrators.....	86
Low-Headroom Suppressor – 216.....	87
Low-Headroom Suppressor – Model 416L.....	88
Low-Headroom Suppressor – Model 44 & 44B.....	90
Vibrator Stand – Model 416L, 44 & 44B.....	92

SECTION 7: PARTS AND DRAWINGS (OLDER CLAMPS AND ACCESSORIES)

Model 216 Universal Clamp.....	94
Model 216-12" Pipe Clamp.....	97
Model 125, 126 Universal Clamp.....	98
125-126 Universal Clamp Cylinder.....	101
126B Universal Clamp.....	102
127 Z-Pile Clamp.....	105
25 Timber clamp.....	111
40LP Timber/Concrete/Pipe Clamp.....	114
Model 50 Timber/Concrete/Pipe Clamp.....	118
Models 55 & 55B Timber/Concrete/Pipe Clamps.....	120
Model 80 Caisson Clamp.....	124
Model 80B Caisson Clamp.....	127
Model 80BH Caisson Clamp.....	130
Model 122 Caisson Clamp.....	133
Model 122B Caisson Clamp.....	136
Model 122BH Caisson Clamp.....	139

SECTION 1: GENERAL INFORMATION

Abbreviations

The following abbreviations are used throughout the parts lists and other parts of the manual.

Abbreviation	Definition
ASM	Assembly
BHCS	Button Head Cap Screw
Cyl	Cylinder
DC	Direct Current
FHCS	Flat Head Cap Screw
FLCS	Flanged Head Cap Screw
Ft	Foot
HC	High Collar
HHCS	Hex Head Cap Screw
HHPP	Hex Head Pipe Plug
HSSS	Hex Socket Set Screw
Hyd	Hydraulic
In	Inch
Lg	Long
mm	Millimeter
Mtg	Mounting

Abbreviation	Definition
NPT	National Pipe Thread
PHMS	Phillips Head Machine Screw
P/N	Part Number
Qty	Quantity
RHMS	Round Head Machine Screw
Sch	Schedule
SHCS	Socket Head Cap Screw
SHPP	Socket Head Pipe Plug
SHSS	Socket Head Shoulder Screw
S/N	Serial Number
Sol	Solenoid
TOE	Threaded One End
TEE	Threaded Each End
UNC	Unified Coarse Thread
UNF	Unified Fine Thread
V	Volts

Screws and bolts in abbreviated form are designated in the "Description" column of the part tables.

Listed below is a typical screw description: 0.50-13UNC x 1.50 SHCS

0.50 = Diameter in inches

13UNC = Threads Per Inch, Unified Coarse Thread

1.50 = Length in inches

SHCS = Screw Type Abbreviation

Listed below is a typical metric bolt description: M12-1.75 X 40 SHCS

M12 = Diameter in Millimeter

1.75 = Threads Pitch (1.75 mm between threads)

40 = Length in Millimeters

SHCS = Bolt Type Abbreviation (Socket Head Cap Screw)

Serial Number Locations

The following ICE units are serial numbered separately:

Vibrator, power unit, clamp, caisson beam, 90° clamp plate, quad beams.

In addition to the serial number plate itself on vibrators, power units and clamps, the serial number is stamped into each unit in one or more places as follows:

Type	Location
Vibrator	On top right side of suppressor housing On bottom flange of gear case under hydraulic motor
Power unit	Control panel side of unit at right corner of reservoir Beside fuel fill
Clamps and Accessories	See specific page for location and range of serial numbers

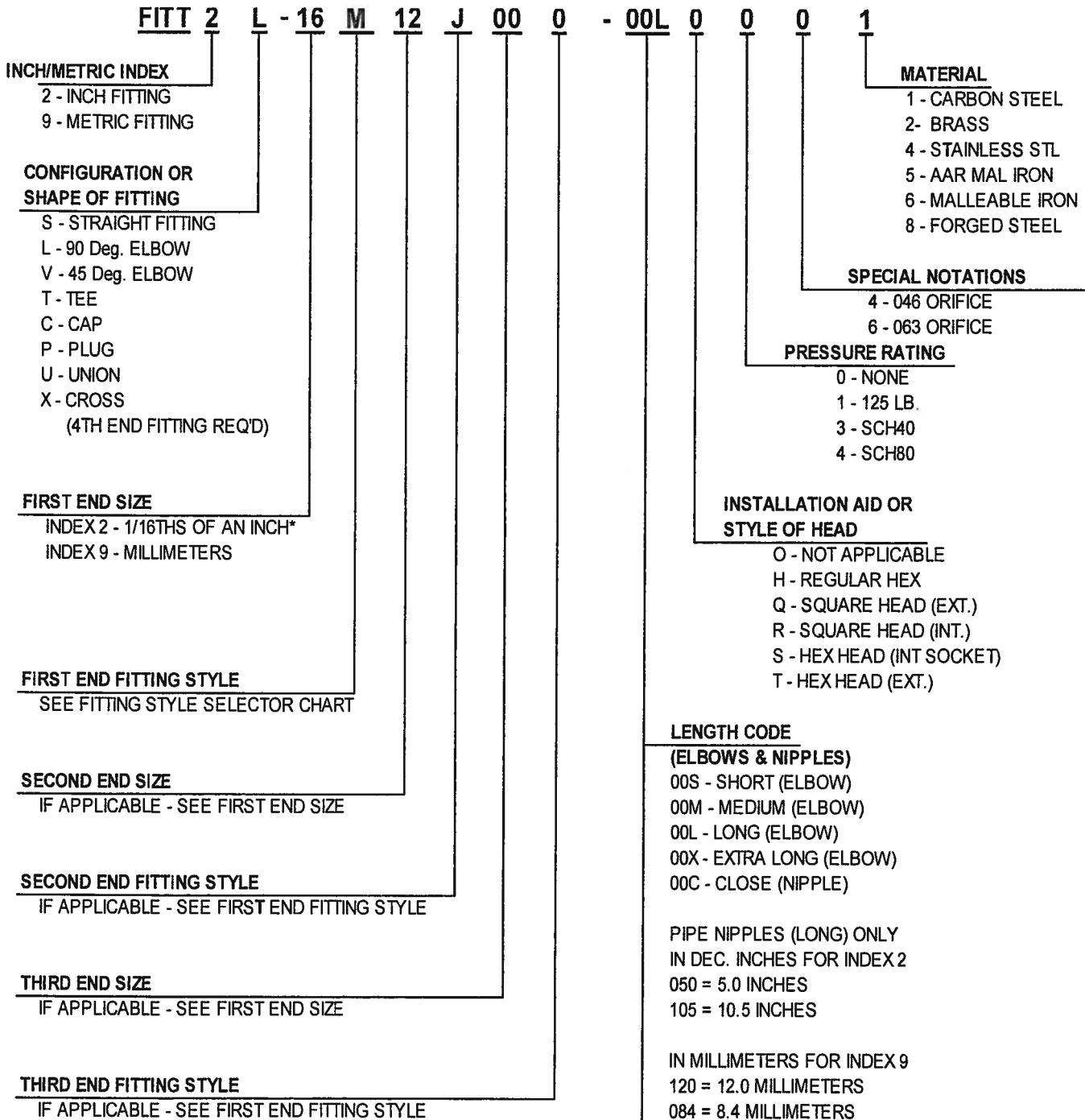
Hydraulic Fittings and Hose Descriptions

The following three pages describe the coding for the hydraulic fittings and hose assemblies. These codes are used in the "Description" column of the part tables for naming hydraulic hoses and fittings. The coding enables the description to be concisely stated in a condensed table format.

This Page Left Blank Intentionally

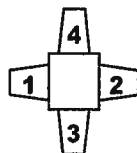
Fitting Description Code

The Fitting Description Code describes hydraulic fittings. Use the Fitting Style Selector Chart to determine the type of fitting.



*** EXCEPTIONS**

- | | |
|----------|--------------------|
| 90 = 10" | 96 = 6" |
| 92 = 12" | 98 = 8" |
| 94 = 14" | 99 = NON CODE SIZE |

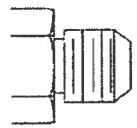
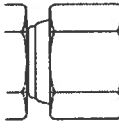
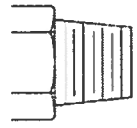


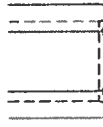
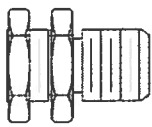
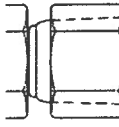
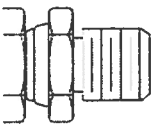
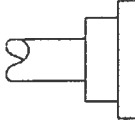
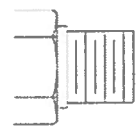
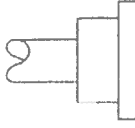
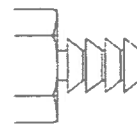
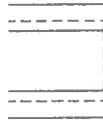
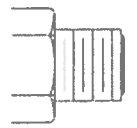

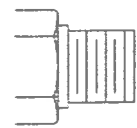
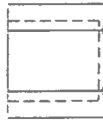
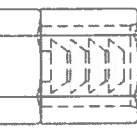
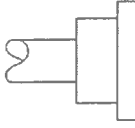


FOURTH END SIZE & FITTING STYLE

(CROSSES ONLY)
SEE FIRST END FITTING SIZE OR END STYLE

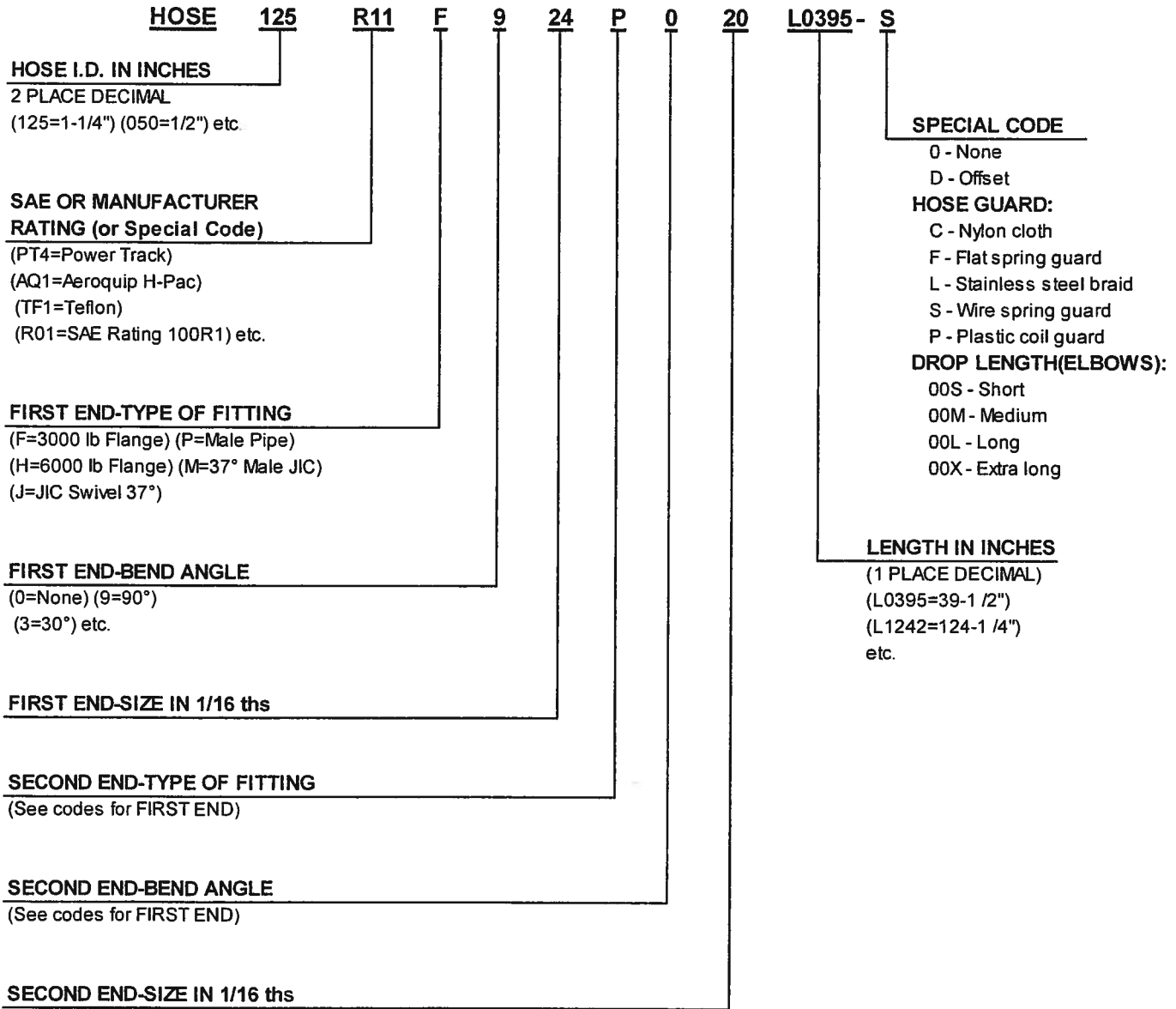
10-Oct-09

Fitting Style Selector Chart

M		JIC MALE 37 DEG. FLARE	J		JIC FEMALE 37 DEG. FLARE (& SWIVEL)
P		MALE PIPE NPT	Q		FEMALE PIPE NPTF
R		S.A.E. MALE O-RING (& ADJUSTABLE)	K		S.A.E. FEMALE O-RING
B		JIC MALE 37 DEG. FLARE BULKHEAD	N		FEMALE PIPE NPSM-SWIVEL
D		MALE PIPE NPT SWIVEL	F		SPLIT FLANGE 3000 PSI CODE 61
S		B.S.P. MALE PIPE	H		SPLIT FLANGE 6000 PSI CODE 62
T		HOSE BARB	W		FEMALE BSP PIPE
Y		ORB MALE O-RING (& ADJUSTABLE)	X		ORB FEMALE O-RING
U		METRIC MALE FITTING	A		METRIC FEMALE FITTING
G		CRIMP HOSE END FITTING	C		CATERPILLAR SPLIT FLANGE

Hose Description Code

Use the Fitting Style Selector Chart and Fitting Description Code to determine the type of end fittings for hoses.



10-Dec-07

Section 2: CLAMP & ACCESSORY QUICK REFERENCE CHARTS

CURRENT PRODUCTION & RENTAL FLEET

Vibrator										
	Assembly Number	2	14C	416L	28C	44/44B	66C/84C	110C	V360	125C
Universal clamps										
2	830201	x								
14	810216		x							
90	830309		x							
140C	830053			x	x	x				
196C	800315						x			
385	830285							x	x	
Timber/Concrete/Pipe clamps										
40	720087		x	x	x					
85	720107					x	x			
Caisson clamps										
100BH	830057		2	2	2	2		4	4	
142BH	830236					2	2	2 or 4	2 or 4	4
Caisson beams										
3'	840110		x							
5'	830084		x							
5'	830004				x					
6'					x	x	x			
6.5'	840017			x		x	x			
10'	800411						x	x	x	
12'	840066					x	x			
7' Quad Plate	720199							x		
Quad - Single vibrator	830079							x	x	
Quad - Tandem vibrator	830239							x	x	
4' H-Bars	730600							x	x	x
Other										
90° Turning Plate	800049			x	x	x	x			
10' Clamp Extension	800423			x	x	x	x			
Lead sled - 44 & 44B	800505					x				
Lead sled - 66C	840175			x			x			
Bias weights										
Model 2 (400 lbs)	830033	x								
Model 216 (2045 lb)	800511		x							
Model 22 (2400 lb)	830014				x					
Model 44 (2750 lb)	800429					x	x	x		
Model 416L (3700 lb)	840006			x						
Hammer stand	700265			x	x	x				
Wireless remote - Standard	830117									
Wireless remote - Tier III	830224		x	x	x	x	x	x	x	x
Low-headroom suppressor - 44 44B	800475					x				
Low-headroom suppressor -416L	800831			x						

PREVIOUS PRODUCTION CLAMPS & ACCESSORIES

Vibrators								
	Assembly Number	216/ 216E/ 116	11/14	22/28B	416/423	612/815	66	1412/ 1412B
Universal clamps								
216	810218	x						
216 Fixed jaw for pipe	840219	x						
14	810216		x					
11/14 Fixed jaw for pipe	840461		x					
125, 126	800039			x	x	x		
126B, 126C	800327			x	x	x		
Z-Pile clamps								
127				x	x	x		
127B	800041			x	x	x		
Timber/Concrete/Pipe clamps								
25	720000	x						
40LP	720087	x						
50	800237	x	x	x	x	x		
55	830241	x	x	x	x	x		
55B	830253	x	x	x	x	x		
Caisson clamps								
80		x	x	x	x	x		
80B	800047	x	x	x	x	x		
80BH	800413	x	x	x	x	x		
100B & BH (Current production)	830057	x	x	x	x	x		
122	800153					x	x	x
122B	800409					x	x	x
122BH	800410					x	x	x
142B & BH (Current production)	830236					x	x	x
100BHL HydroLock	800399	x	x	x	x	x		
142BHL HydroLock	800559					x	x	x
140C Hydro-Lock Adapter	840014				x	x	x	
196C Hydro-Lock Adapter	840033						x	x

PREVIOUS PRODUCTION CLAMP & ACCESSORY QUICK REFERENCE CHART

Caisson beams (Current production)	Assembly	216/ 216E/ 116	11/14	22/28B/	416/42 3	612/81 5	66	1412/ 1412B
3' Caisson Beam	840110	X	X					
5' for 216, 11, 14	830084	X	X					
5' for 22, 28B	830004			X				
6' for 22, 28B				X	X	X	X	
6.5'	840017				X	X	X	
10'	800411							X
12'	840066					X	X	
Quad - Single vibrator	830079							X
Quad - Tandem vibrator	830239							X
4' T-Bars	730600							
Other (Current production)								
90° Turning Plate	800049			X	X	X	X	
10' Clamp Extension	800423			X	X	X	X	
Lead sled - 44 & 44B	800505					X		
Lead sled - 66	840175						X	
Bias weights								
Model 2 (400 lbs)	830033							
Model 216 (2045 lb)	800511	X	X					
Model 22 (2400 lb)	830014			X				
Model 44 (2750 lb)	800429					X	X	
Model 416L (3700 lb)	840006				X			
Hammer stand	700265				X	X		
Wireless remote	830117	X	X	X	X	X	X	X
Wireless remote- Tier III	830224	X	X	X	X	X	X	X
Low-headroom suppressor - 44 & 44B	800475							
Low- headroom suppressor - 416L	800831							

Section 3: CLAMP JAW REFERENCE CHART

Part #	Jaw description	Notes
Model 2 Clamp		
730836	Universal jaw - Fixed	
730835	Universal jaw - Movable	
130675	Universal jaw - Fixed	Replaced by 730836
130677	Universal jaw - Movable	Replaced by 730835
Model 216 & 14 Clamps		
130469	Universal jaw - Fixed 6" wide	
810535	Universal jaw - Movable 6" wide	
110515	Universal jaw - Fixed 5" wide	
810433	Universal jaw - Movable 5" wide	
100217	Universal jaw - Movable - 5"	216 using old bolt-on jaw
730057	Fixed jaw for 12" pipe	Requires a fixed jaw bracket below
730059	Movable jaw for 12" pipe	
730358	Fixed jaw bracket for 12" pipe - 216	Uses 730057 fixed jaw
720178	Fixed jaw bracket for 12" pipe- 11 & 14	Uses 730057 fixed jaw
Model 90 Clamp		
130469	Universal jaw - Fixed	
810535	Universal jaw - Movable	
Model 140C, 126, 126B & 126C Clamps		
120619	Double-sheeting jaw - Fixed 10"	140C, 126 sawtooth, 126B&C
810581	Double-sheeting jaw - Movable 10"	140C, 126 pinned, 126B&C
110515	Universal jaw - Fixed 5" wide	
810495	Universal jaw - Movable 5" wide	140C, 126 pinned, 126B&C
110541	H-Beam jaw - Fixed	140C, 126 sawtooth, 126B&C
810497	H-Beam jaw - Movable	140C, 126 pinned, 126B&C
110419	Double-sheeting jaw - Fixed 8.5"	140C, 126 sawtooth, 126B&C
810499	Double-sheeting jaw - Movable 8.5"	140C, 126 pinned, 126B&C
Model 196C Clamp		
810463	Universal jaw - Fixed	
810461	Universal jaw - Movable	
Model 385 Clamp		
720207	Universal jaw - Fixed	
720208	Universal jaw - Movable	
Caisson clamp jaws		
120107	Fixed jaw	80, 80B, 100B, 100BH
120109	Movable jaw	80, 80B, 100B, 100BH
120261	Fixed jaw	122, 122B, 122BH, 142B, 142BH
120273	Piston rod with movable jaw	122
120635	Piston rod with movable jaw	122B, 122BH, 142B 142BH

CLAMP JAW REFERENCE CHART

Part #	Jaw description	Notes
Model 85 Timber/Concrete Clamp		
720109	Set - Timber jaws	Includes jaws, bolts & washers
720103	Timber jaw	
720108	Set - Concrete jaws	Includes jaws, bolts & washers
720101	Concrete jaw	
Model 40 Timber, Concrete, Pipe Clamp		
720091	Set - Timber jaws	Includes jaws, bolts & washers
720043	Timber jaw - Fixed	
720044	Timber jaw - Movable	
720093	Set - concrete jaws	Includes jaws, bolts & washers
720046	Concrete jaw - Fixed	
720054	Concrete jaw - Movable	
720144	2" Pad for concrete jaws	Requires 2 + longer bolts
840188	Set - 10" Pipe jaws	Includes jaws, bolt & washers
720157	Pipe jaw - 10" Fixed	
720158	Pipe jaw - 10" Movable	
840189	Set - 10 3/4" Pipe jaws	Includes jaws, bolt & washers
720159	Pipe jaw - 10 3/4" Fixed	
720160	Pipe jaw - 10 3/4" Movable	
840190	Set - 12" Pipe jaws	Includes jaws, bolt & washers
720161	Pipe jaw - 12" Fixed	
720162	Pipe jaw - 12" Movable	
840191	Set - 12 3/4" Pipe jaws	Includes jaws, bolt & washers
720163	Pipe jaw - 12 3/4" Fixed	
720164	Pipe jaw - 12 3/4" Movable	
840192	Set - 14" Pipe jaws	Includes jaws, bolt & washers
720165	Pipe jaw - 14" Fixed	
720166	Pipe jaw - 14" Movable	
840193	Set - 16" Pipe jaws	Includes jaws, bolt & washers
720167	Pipe jaw - 16" Fixed	
720168	Pipe jaw - 16" Movable	
840194	Set - 17" Pipe jaws	Includes jaws, bolt & washers
720169	Pipe jaw - 17" Fixed	
720170	Pipe jaw - 17" Movable	

CLAMP JAW REFERENCE CHART

Part #	Jaw description	Notes
Model 25 Timber Clamp		
720027	Jaw insert	
Model 55B Timber, Concrete, Pipe Clamp		
720091	Set - Timber jaws	Includes bolts & washers
720043	Timber jaw - Fixed	
720044	Timber jaw - Movable	
720093	Set - concrete jaws	Includes bolt & washers
720046	Concrete jaw - Fixed	
720054	Concrete jaw - Movable	
720144	2" Pad for concrete jaws	Requires 2 + longer bolts
720069	10" Pipe jaw - fixed or movable	
720058	10 3/4" Pipe jaw - fixed or movable	
720057	12" Pipe jaw - fixed or movable	
720059	14" Pipe jaw - fixed or movable	
720071	16" Pipe jaw - fixed or movable	
720067	17" Pipe jaw - fixed or movable	
Model 125 & 126 Clamps		
100217	Universal jaw - Movable	125/126 (both had bolt-on jaw)
100215	Universal jaw - Fixed	125/126 keyed back
110515	Universal jaw - Fixed 5" wide	126 sawtooth back
100221	Double-sheeting jaw - Movable	125/126 (both had bolt-on jaw)
110219	Double-sheeting jaw - Fixed	125/126 keyed back
110419	Double-sheeting jaw - Fixed 8.5"	126 sawtooth back
100225	H-Beam jaw - Movable	125/126 (both had bolt-on jaw)
100221	H-Beam jaw - Fixed	125/126 keyed back
100541	H-Beam jaw - Fixed	126 sawtooth back

CLAMP JAW REFERENCE CHART

Part #	Jaw description	Notes
Model 127 & 127B Clamps		
120187	Fixed jaw - square	Older 127
120149	Fixed & swing arm jaw insert - wedge	Newer 127
810123	PZ27 Inserts (single	127
810139	Multigrip inserts (single swing arm)	127
810193	Cylinder rod with	127 s/n 254701-254707 & 254709
810195	Cylinder rod with	127 s/n 254708, 254712-14, 16, 17, 22 25
810197	Cylinder rod with	127 s/n 254710, 11, 15, 18 21
800419	12" Multigrip jaw set	127B Includes 4 swings arms + 2 fixed jaws
120675	Fixed jaw	
810191	Movable jaw (swing	
800417	13" Multigrip jaw set	127B Includes 4 swings arms + 2 fixed jaws
120673	Fixed jaw	
120681	Movable jaw (swing	Assembly number for machined jaw
120663	Cylinder rod with movable jaw	127B

Section 4: SEAL KIT QUICK-REFERENCE CHART

Clamp	Seal kit	Serial number range
Universal & Z clamps		
2	810767	All units
216	810127	161001, 162003-162006, 172007-172016, 182017
	810135	162002, 182018-182041
	810225	182042 and up, V82435 and up
116	810225	All units
11,14	810225	All units
90	840544	All Units
125, 126	810121	241201-250697, 250708-250749
	810219	250750-250794
	810211	250795-250993
126B & C	810515	All units
127	810123	254701-254707 & 254709
	810131	254708, 254712-254714, 254716, 254717, 254722-254725
	810003	254710 & 254711
	810029	254715, 254718-254721
127B	810629	All units
140C	830111	All units
196C	810473	All units
385	840545	All units
Caisson clamps		
80	810225	252701-252720
	810133	252721-252730
	810227	252737-252892
80B, 80BH	810611	All units
100B, 100BH	830495	All units
122	810213	All units
122B, 122BH	810633	All units
142B, 142BH	840198	All units
HydroLocks	830641	All units
Timber/Concrete/Pipe clamps		
25	1X6003	All units
40LP	720175	All units
40	720176	All units
50	810327	All units
55	740049-4	All units
55B	740049-4	All units
85	720177	All units

SECTION 5: ORDERING PARTS

Ordering Procedures

When ordering parts, be sure to include the model and serial number of the unit or component. The serial number may be located by referring serial number location table. Confirm all telephone orders in writing immediately to avoid duplicating shipment.

Original Equipment

Where component serial numbers are given, these apply only to equipment and components originally furnished with the unit. Where equipment has been changed or upgraded, these numbers may not be an adequate description.

Shipment

State to whom shipment is to be made and method of shipment desired, otherwise ICE's own judgment will be used.

Shortages

Claims for shortages or errors should be made immediately upon receipt of parts. No responsibility will be assumed for delay, damage or loss of material while in transit. Broken, damaged or lost material should be refused or a full description made of damage or loss to the carrier agent on the freight or express bill.

Return of Parts

If for any reason parts are returned to the factory or to any distributor from whom these parts were obtained, you must first obtain permission to return the parts. Shipping instructions will be given along with this permission. A ten percent handling charge must be assessed against the returned shipment unless an error is made by the factory or by the distributor when filling your order.

SECTION 6: CLAMP PARTS DRAWINGS AND LISTS

MODEL 2 UNIVERSAL CLAMP

Assembly No. 830201

Used on Model 2 vibrator (Called Model 23 prior to Jun 07)

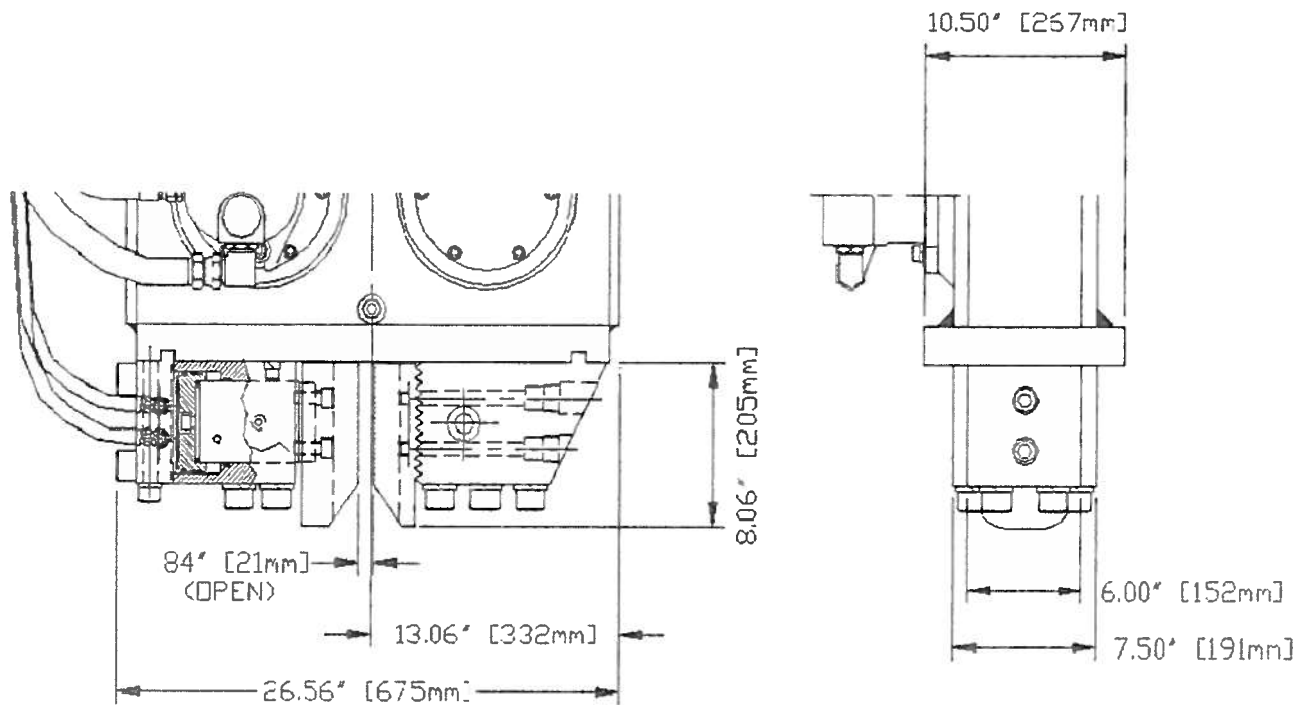
Model 23 manufactured Sep 04 - Jun 07, Serial numbers V64269 - V64280

Model 2 manufactured Jun 07 to present, Serial numbers V64281 and up

Clamping force – 24 tons at 2500 psi, 219 kN at 172 bar

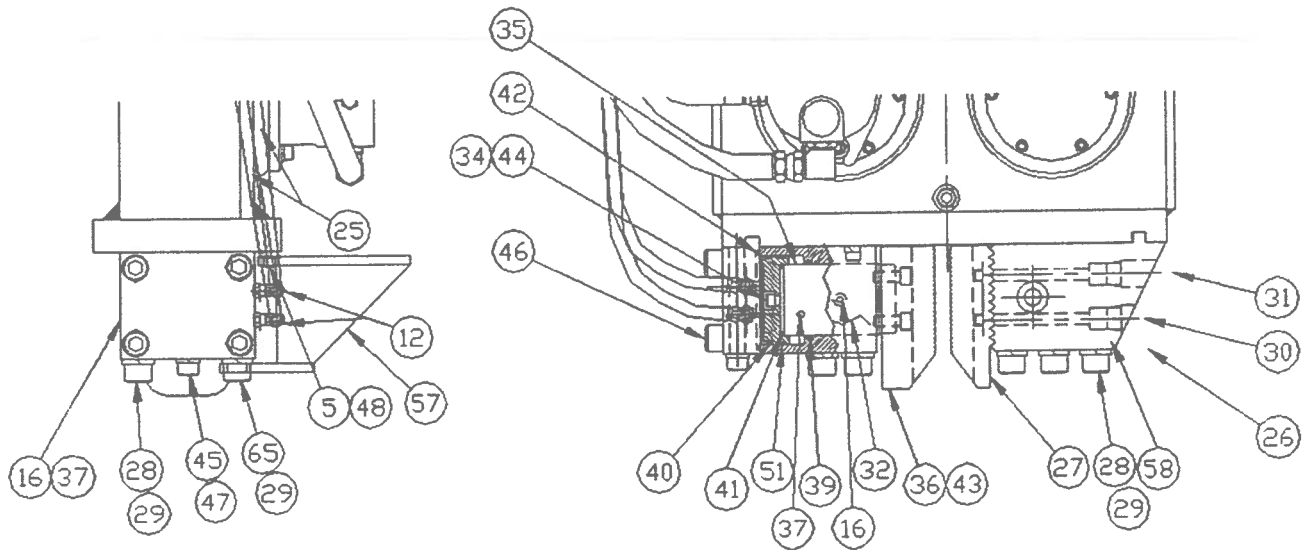
Weight – 285 lb, 214 kg

Serial number location – Same serial number as vibrator (see vibrator serial number plate)



830201-DIM

MODEL 2 UNIVERSAL CLAMP



Assembly No. 830201

Item	Part Number	Qty	Part Description
5	100119	2	0.50-13UNC X 1.25 SHCS
12	130057	1	FITT2L-06M06R000-000H001
16	1X812	1	1/8" Grease fitting
26	130673	1	Fixed jaw bracket
27	730836	1	Fixed Jaw
28	130695	6	1.00-8UNC X 7.50 SHCS
29	1X8512	4	1.00 Hi-Collar lock washer
30	730810	2	0.625-11UNC X 6.50 SHCS
31	100063	2	FITT2P-16P000000-000S007
32	130671	1	Guide block
33	130683	1	Cylinder cover
34	130681	1	Piston
35	130679	1	Cylinder rod
36	730835	1	Movable jaw
37	1X823	1	FITT2P-02P000000-000S001
38	130709	1	-204 O-RING
39	130711	1	-43 T-SEAL ROD
40	130713	1	-47 T-SEAL PISTON
41	130715	1	-342 O-RING
42	130717	1	-355 O-RING
43	110411	2	0.625-11UNC X 1.50 SHCS
44	100119	3	0.50-13UNC X 1.25 SHCS
45	1X8831	1	0.75-10UNC X 7.50 SHCS
46	140145	4	1.00-8UNC X 3.50 SHCS
47	1X32	1	0.75 Lock washer
48	1X30	2	0.50 Lock washer
51	130719	1	Piston bearing
57	730675	1	23 Motor guard
58	100298	2	ICE Green paint (gallon)
65	300043	2	1.00-8UNC X 8.00 SHCS

MODEL 5E UNIVERSAL CLAMP

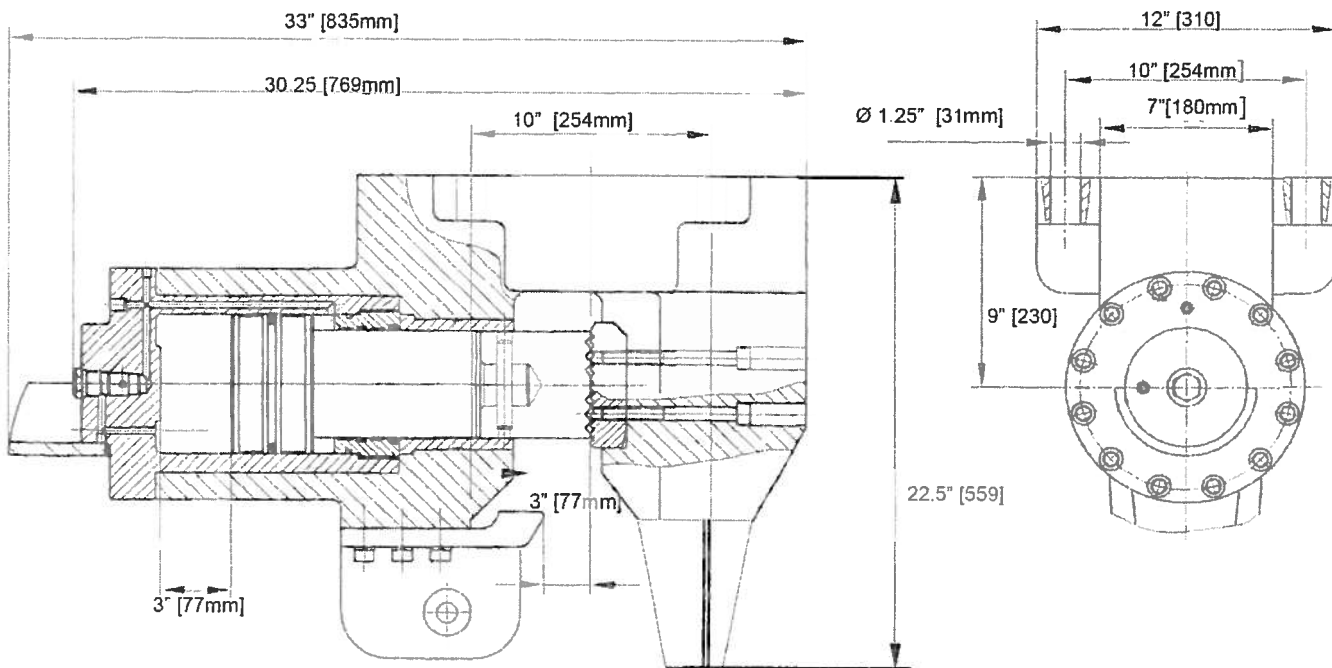
Used on Model 5E vibrator

Model 5E manufactured Jun 07 to present, Serial numbers V128001 and up

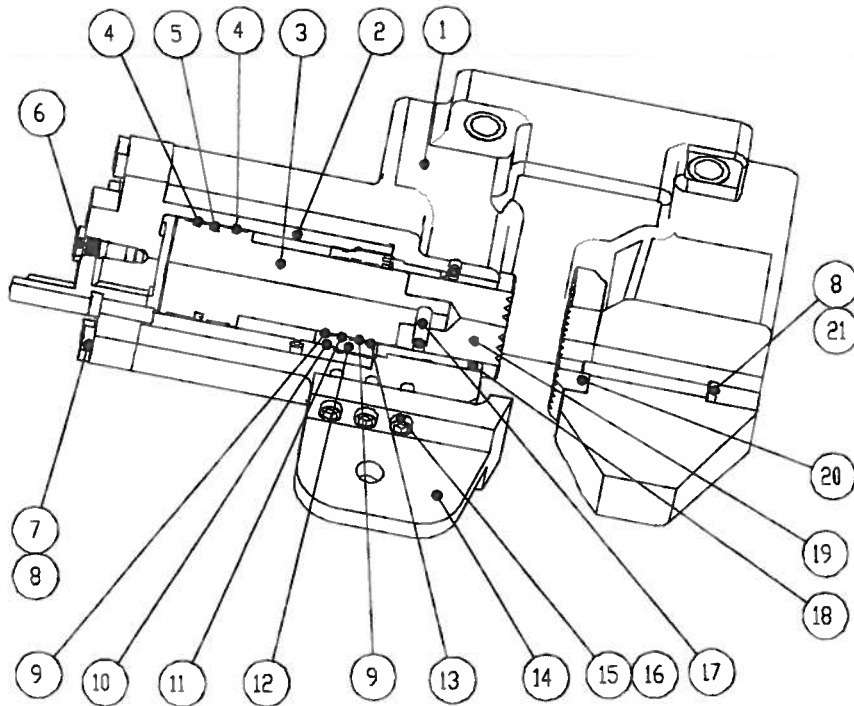
Clamping force – 72 tons at 5075 psi, 650 kN at 350bar

Weight – 684 lb, 310 kg

Serial number location – Same as serial number of vibrator.



MODEL 5E UNIVERSAL CLAMP



Item	Part Number	QTY	Description
1	770439	1	Clamp Body
2	770440	1	Cylinder Body
3	770441	1	Piston
4	770442	2	Piston Bearing
5	770443	1	Piston Seal
6	770444	1	Holding Valve Cartridge
7	770445	12	M16 x 70 12.9 SHCS
8	909502	12	M16 Lock Washer
9	770446	2	Rod Bearing
10	770447	1	O-ring 145x3.55
11	770448	1	U-ring
12	770449	1	Rod End Cap
13	770450	1	Rod Wiper
14	770451	1	Pile Guide
15	770452	6	M14x50 12.9 SHCS
16	909451	6	M14 Lock Washer
17	770453 770454	1	16x100 Roll Pin 10x100 Roll Pin
18	770455	1	Brass Bushing
19	770456	1	Movable Jaw
20	770457	1	Fixed Jaw
21	770458	2	M16x140 SHCS

MODEL 14 UNIVERSAL CLAMP

Assembly No. 810216

Used on Models 11, 14 & 14C vibrators (Called 11-23 & 14-23 prior to Jun 07)

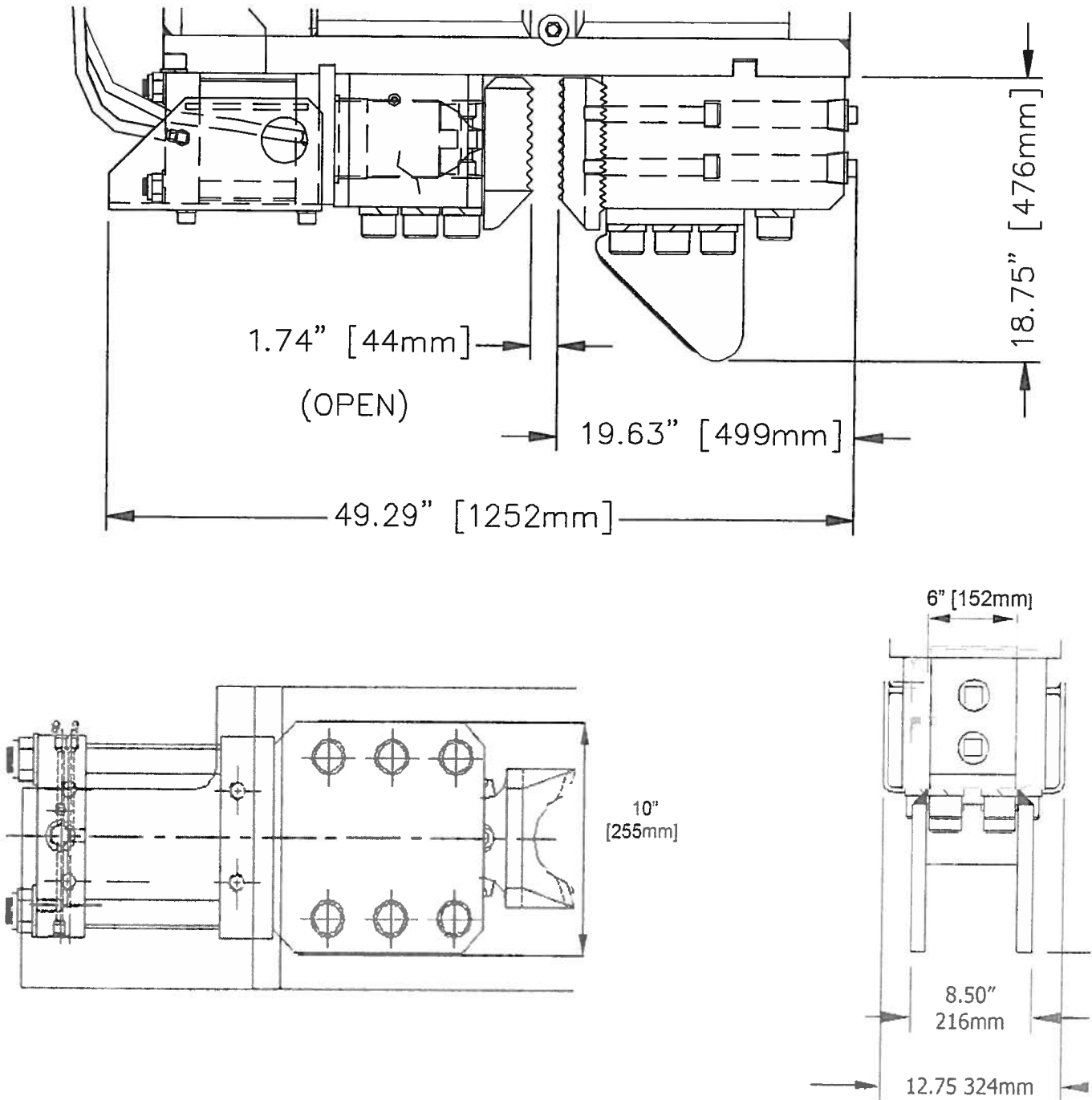
Model 11 manufactured Jan 02 to present, Serial numbers V70218 and up

Model 14 manufactured Aug 07 to present, Serial numbers V72201 and up

Clamping force – 85 tons at 4500 psi, 756 kN at 310 bar

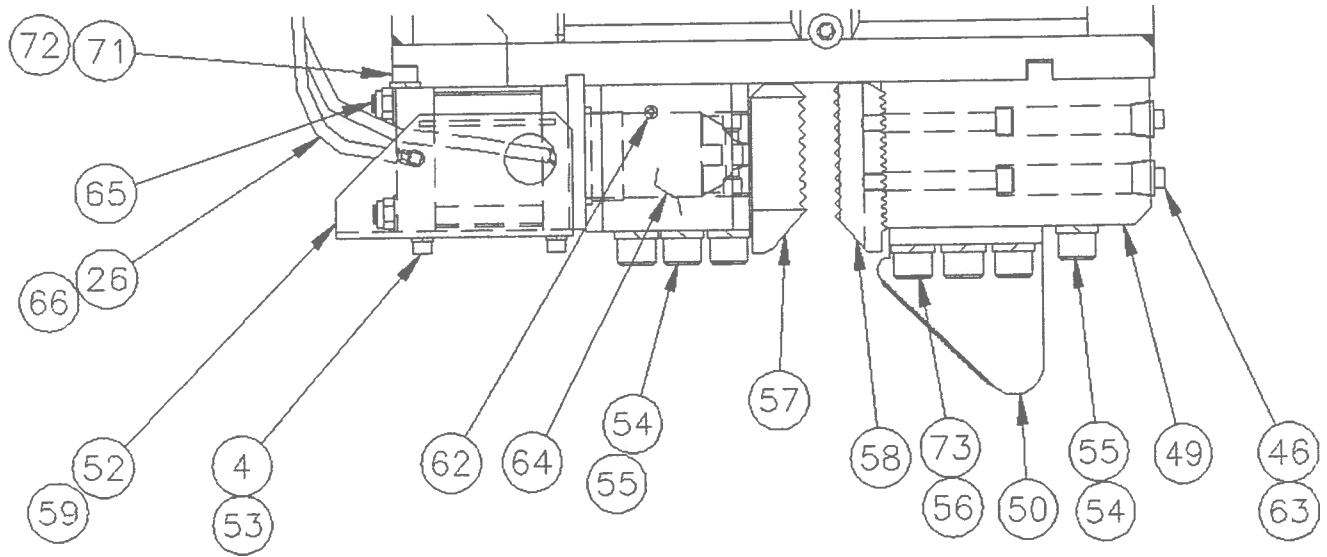
Weight – 866 lb, 393 kg

Serial number location – Same serial number as vibrator (see vibrator serial number plate)

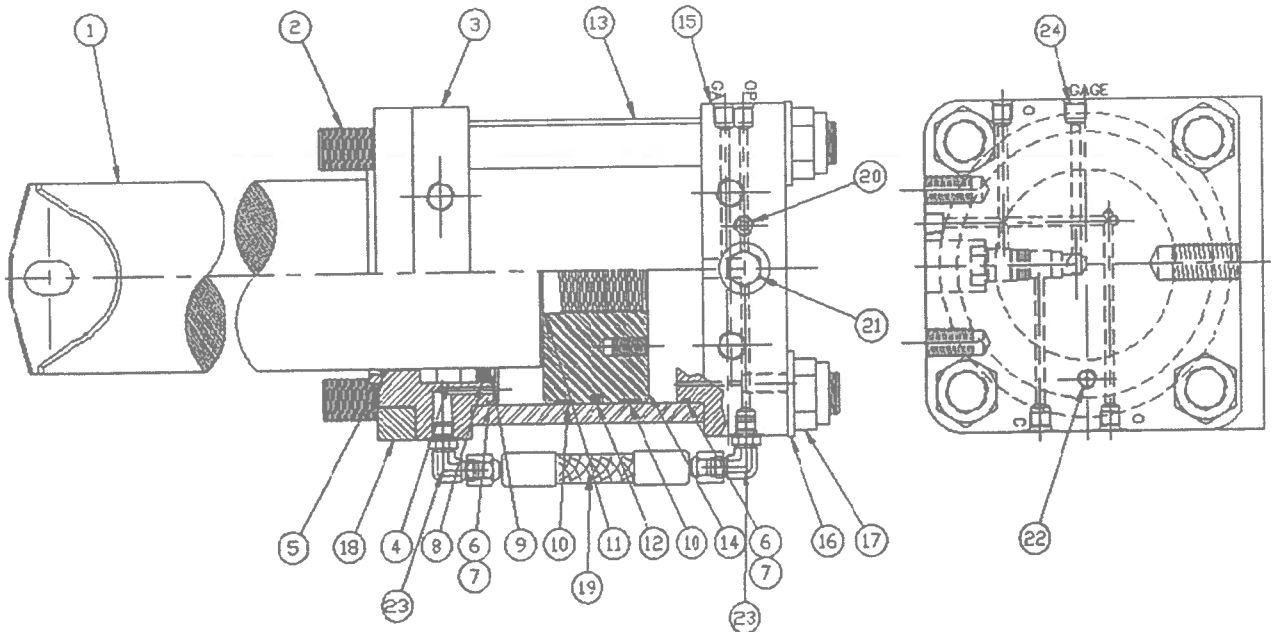


MODEL 14 UNIVERSAL CLAMP

Assembly No. 810216 - Clamp



Assembly No. 810217 - Clamp cylinder



MODEL 14 UNIVERSAL CLAMP

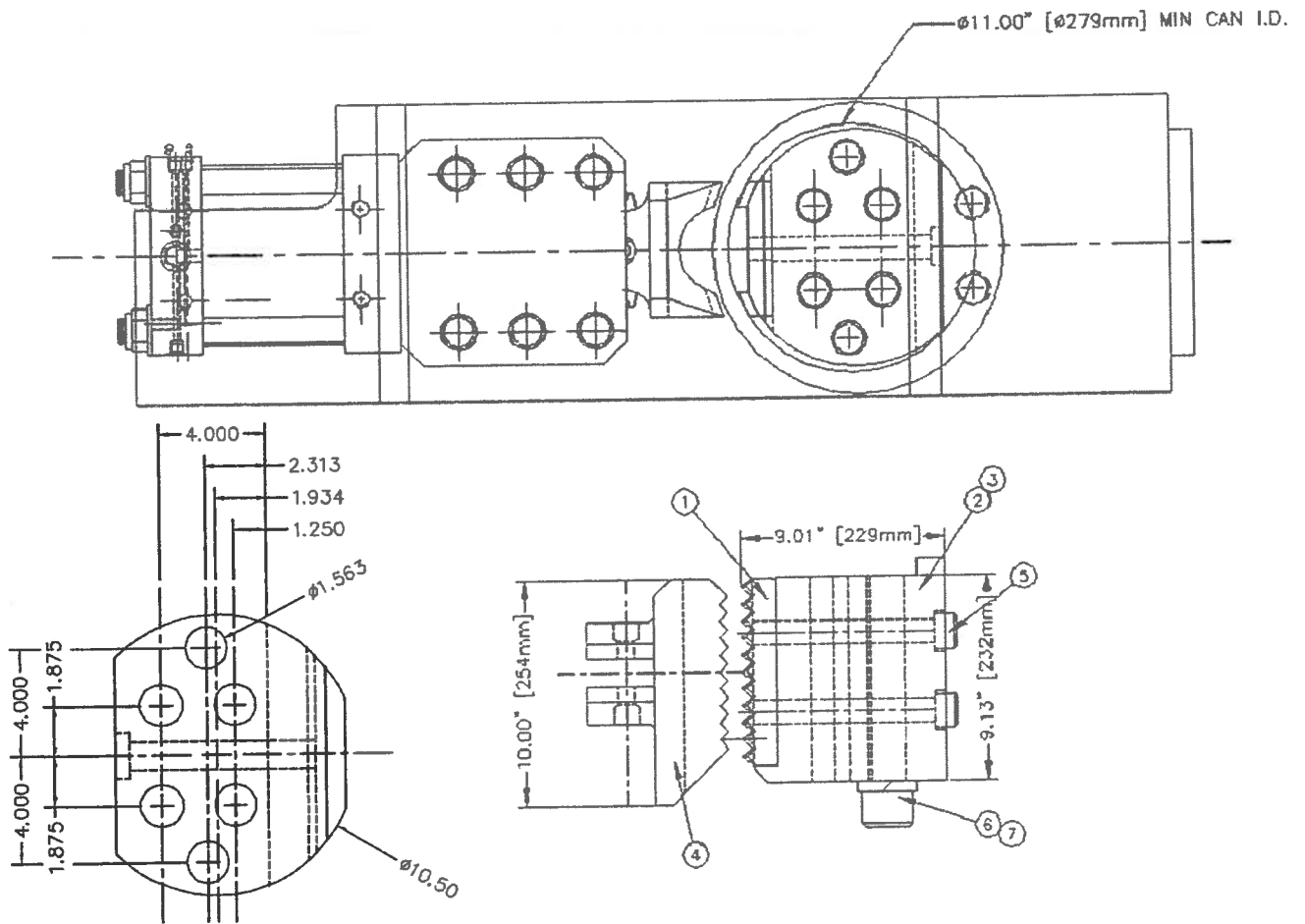
Assembly 810216 - Clamp

Item	Part Number	Qty	Part Description
4	1X32	4	0.75 Spring lock washer
26	130057	2	FITT2L-06M06R000-000H001
46	130733	2	FITT2P-24P000000-000Q001
49	170297	1	Fixed jaw bracket
50	170362	1	Pile feed guide
52	130009	1	Cylinder guard
53	400275	4	0.75-10UNC X 1.50 SHCS
54	130077	8	1.50-6UNC X 11.00 SHCS
55	1X8502	8	1.50 Lock washer (Extra heavy)
56	130293	6	1.50-6UNC X 12.00 SHCS
57	810535	1	Double-sheeting jaw - Movable - 6"
	810433	1	Universal jaw - Movable - 5"
58	130469	1	Double-sheeting jaw - Fixed - 6"
	110515	1	Universal jaw - Fixed - 5"
59	100298	0.25	ICE Green Paint (gallon)
61	130449	1	3/4" x 3" Heavy spiral pin
62	1X812	1	1/8" Grease fitting
63	300043	2	1.00-8UNC X 8.00 SHCS
64	130001	1	Guide block
65	810217	1	Clamp cylinder (see below)
66	130495	2	HOSE125PT6F420H916L08900
71	1X8512	1	1.00 Hi-Collar lock washer
72	100212	1	1.00-8UNC X 4.00 SHCS
73	130219	6	1.50 Hi-Collar Lock Washer

Assembly 810217 - Clamp cylinder

Item	Part Number	Qty	Part Description
1	130439	1	Cylinder rod
2	120309	4	Tie rod
3	130415	1	Rod end cap
4	120267	1	Rod bushing
	810225	1	Seal kit (includes items 5-12)
5	120289	1	Rod wiper
6	120347	2	2-261 O-ring
7	120349	2	261 Back-up ring
8	120287	1	Rod seal
9	120291	1	Retaining ring
10	120355	2	Piston bearing
11	120281	1	2-140 O-ring
12	120357	1	Piston seal
13	120315	1	Cylinder tube
14	120313	1	Piston
15	130417	1	Piston end cap
16	120303	4	Washer - 1.125
17	120343	4	Hex Lock Nut
18	130419	1	Front Plate
19	720143	1	HOSE038R02J006J006L0060-0
20	1X823	1	FITT2P-02P000000-000S001
21	120629	1	Holding valve cartridge
22	120761	1	Pointed set screw
23	130057	2	FITT2L-06M06R000-000H001
24	400992	1	FITT2P-06R000000-000S001

MODEL 14 — 12" PIPE CLAMP



720178 14" Pipe Jaw Bracket

Item	Part Number	Qty	Part Description
1	730057	1	Fixed jaw
2	720178	1	Fixed jaw bracket
3	100298	0.25	ICE green paint
4	730059	1	Moveable jaw
5	300043	2	1.0-8UNC X 8.00 SHCS
6	130077	6	1.5-6UNC X 11.00 SHCS
7	1X8502	6	1.5 Lock washer

MODEL 90 UNIVERSAL CLAMP

Assembly No. 830309

Used on later 14C and 5E

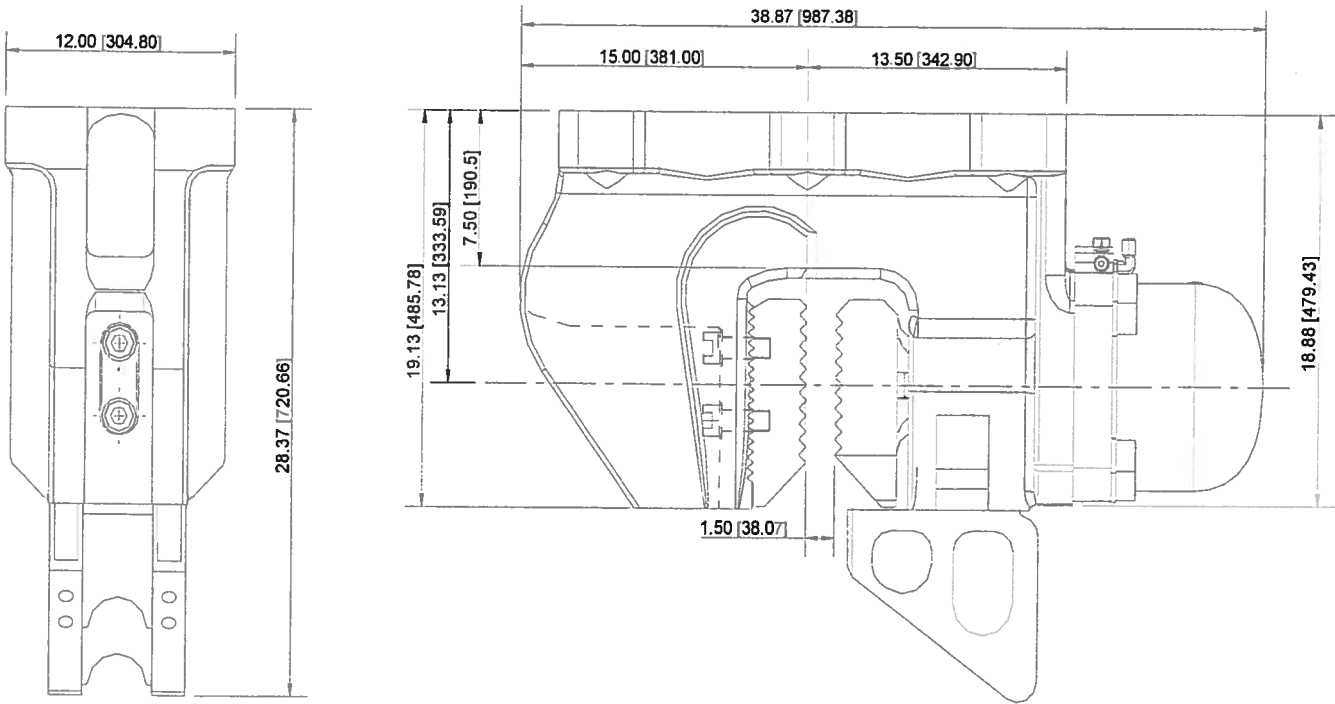
Manufactured Dec 09 to present

Serial numbers C09155 and up

Clamping force – 90 tons at 4000 psi, 800 kN at 275 bar

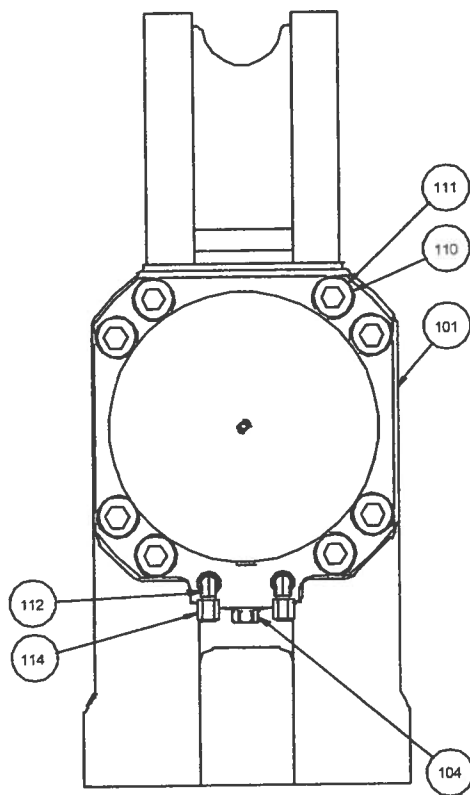
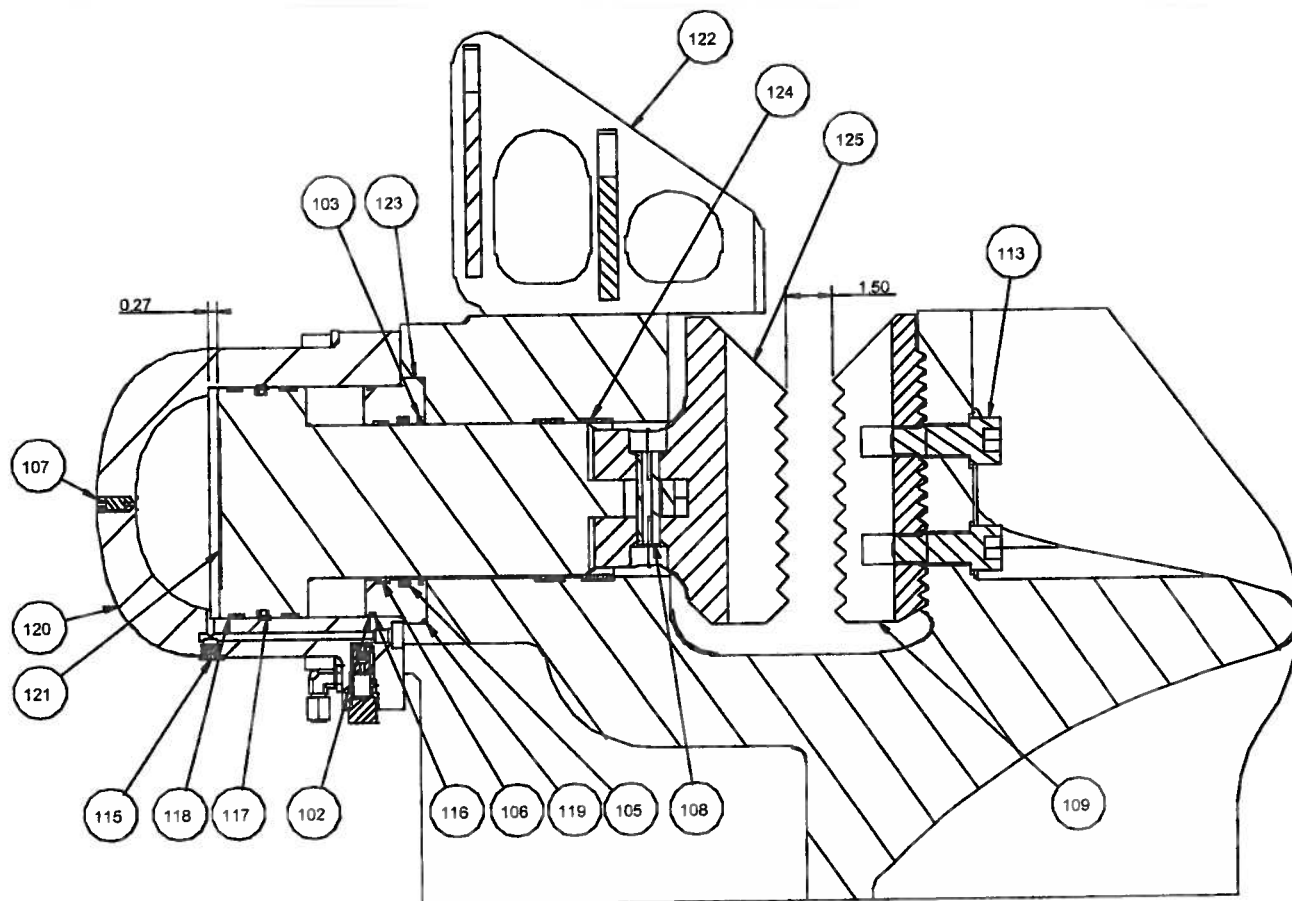
Weight – 1080 lb, 490 kg

Serial number location – Clamp serial number plate, stamped on clamp body and cylinder housing



MODEL 90 UNIVERSAL CLAMP

Assembly No. 830309



MODEL 90 UNIVERSAL CLAMP

Assembly No. 830309

Item	Part Number	Qty	Part Description
101	840517	1	Clamp Body
102	120100	1	2-263 O-ring
103	120289	1	Rod Wiper
104	120629	1	Holding Valve
105	120685	1	T-seal Rod
106	120687	1	Rod Bearing
107	120761	1	Pointed Set Screw
108	130449	1	0.75 Spiral Roll Pin
109	130469	1	Fixed Jaw
110	1X34	8	1.00 Spring Lock Washer
111	1X8111	8	1.00—8UNC X 4.00 SHCS
112	1X8483	2	FITT2L-06M06R000-000H001
113	1X8511	2	1.00 —8UNC X 2.50 SHCS
114	1X8587	2	FITT2C-06J000000-000H001
115	400992	4	FITT2P-06R000000-000S001
	840544	1	Seal Kit (items 116-119)
116	720116	1	Back-up Ring -263
117	720117	1	T-seal Piston
118	720118	2	Piston Bearing
119	720120	1	2-265 O-ring
120	720225	1	Cylinder Housing
121	720226	1	Cylinder Rod
122	720227	1*	Pile Guide
123	720228	1	Rod End Cap
124	720230	2	Rod Bearing
125	810535	1	Movable Jaw

* 2nd pile guide on opposite side is optional

MODEL 140C UNIVERSAL CLAMP

Assembly No. 830053

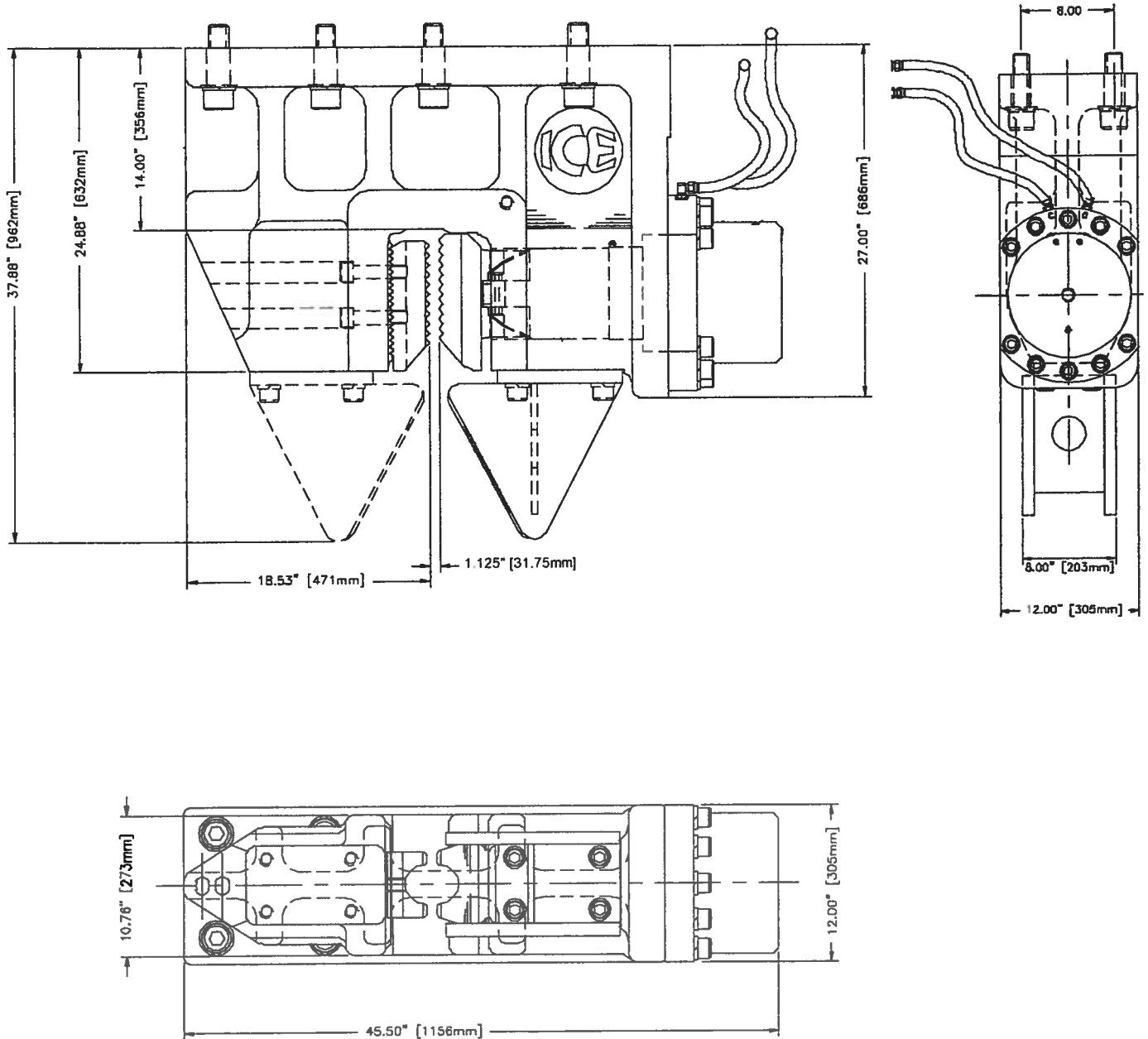
Manufactured Mar 05 to present

Serial numbers C09155 and up

Clamping force – 140 tons at 5000 psi, 1245 kN at 345 bar

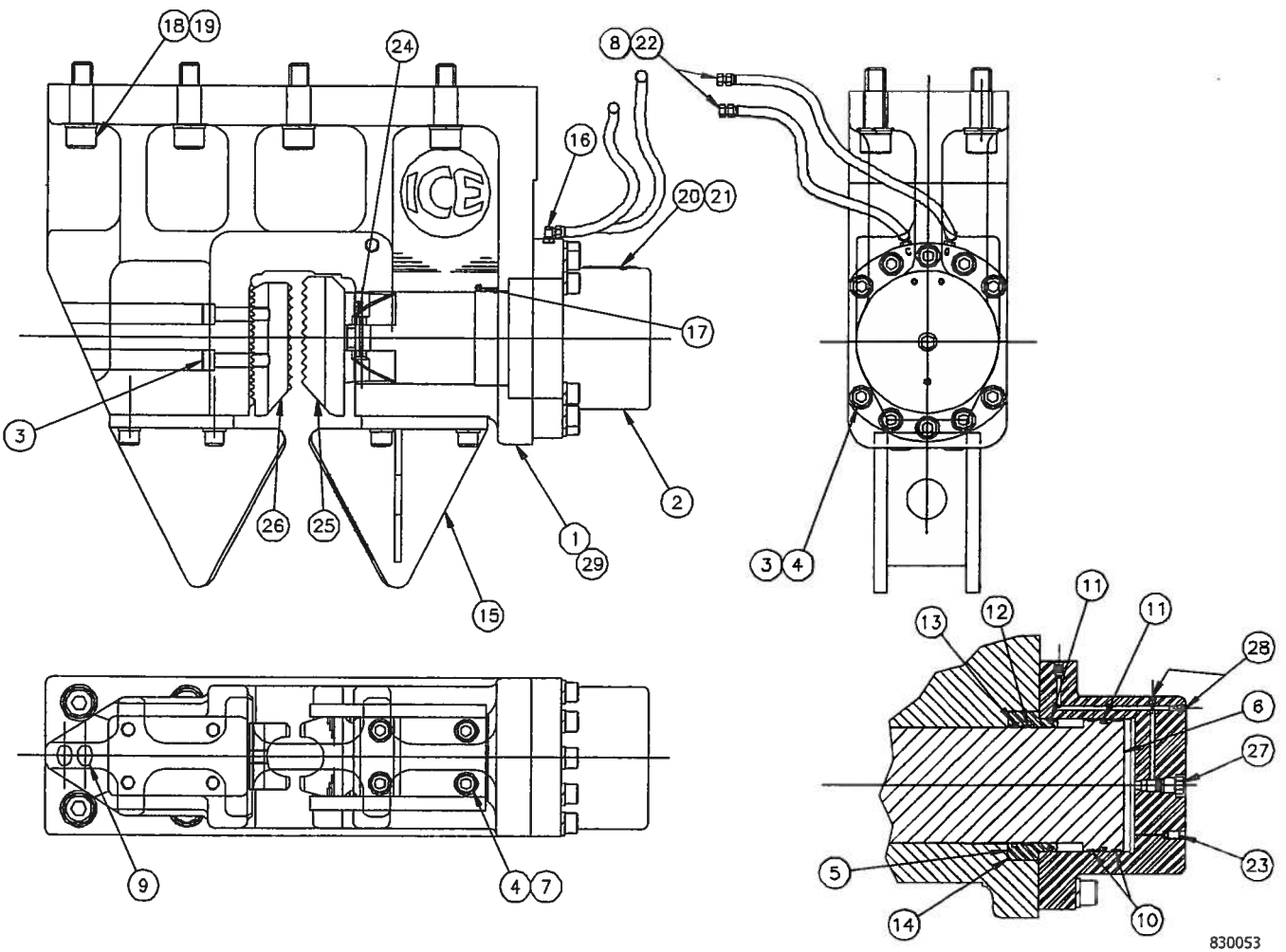
Weight – 2,200 lb, 1000 kg

Serial number location – Clamp serial number plate, stamped on clamp body and cylinder housing



MODEL 140C UNIVERSAL CLAMP

Assembly No. 830053



830053

MODEL 140C UNIVERSAL CLAMP

Assembly No. 830053

Item	Part Number	Qty	Part Description
1	810493	1	Clamp body
2	760068	1	140 Clamp cylinder housing
3	100212	12	1.00-8UNC X 4.00 SHCS
4	1X34	17	1.00 Lock Washer (Medium)
5	760073	1	Rod End Cap
6	720134	1	140 Piston & rod assembly
7	100213	4	1.00-8UNC X 2.50 SHCS
8	100111	2	HOSE038R02J006J006L0875S
9	1X821	2	FITT2P-24P000000-000S001
	830111	1	Model 140C Seal kit (includes items 10-14)
10	720140	2	Piston bearing
11	760074	2	Piston seal
12	120555	1	Rod Bearing
13	120553	1	Rod seal
14	120401	1	2-269 O-ring
15	100983	1	Pile Feed Guide
16	130057	2	FITT2L-06M06R000-000H001
17	1X812	2	1/8" Grease fitting
18	1X8548	8	1.50-6UNC X 5.00 SHCS
19	1X8502	8	1.50 Lock washer (Extra heavy)
20	730045	1	Clamp serial number plate
21	1X1516	4	#10 X 3/8" Drive screw Type U
22	1X8587	2	FITT2C-06J000000-000H001
23	120761	1	Pointed set screw
24	130449	1	3/4" x 3" Heavy spiral pin
25	810581	1	Double-sheeting jaw - Movable - 10"
26	120619	1	Double-sheeting jaw - Fixed - 10"
27	120629	1	Holding valve cartridge
28	1X823	4	FITT2P-02P000000-000S001
29	100298	1	ICE Green Paint (gallon)

MODEL 196C UNIVERSAL CLAMP

Assembly No. 800315

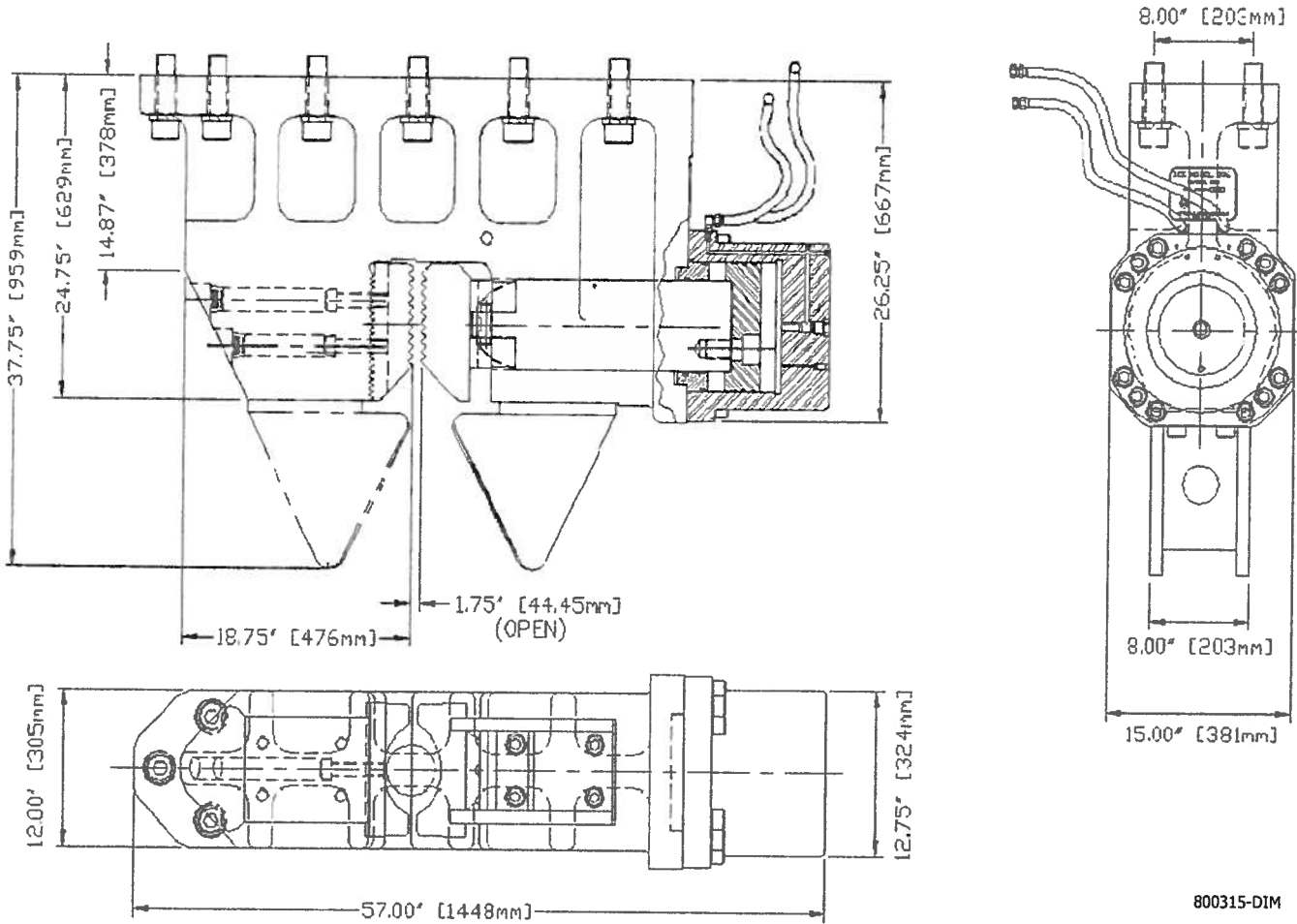
Manufactured Jan 02 to present

Serial numbers C52721 and up

Clamping force – 196 tons at 5000 psi (1744 kN at 345 bar)

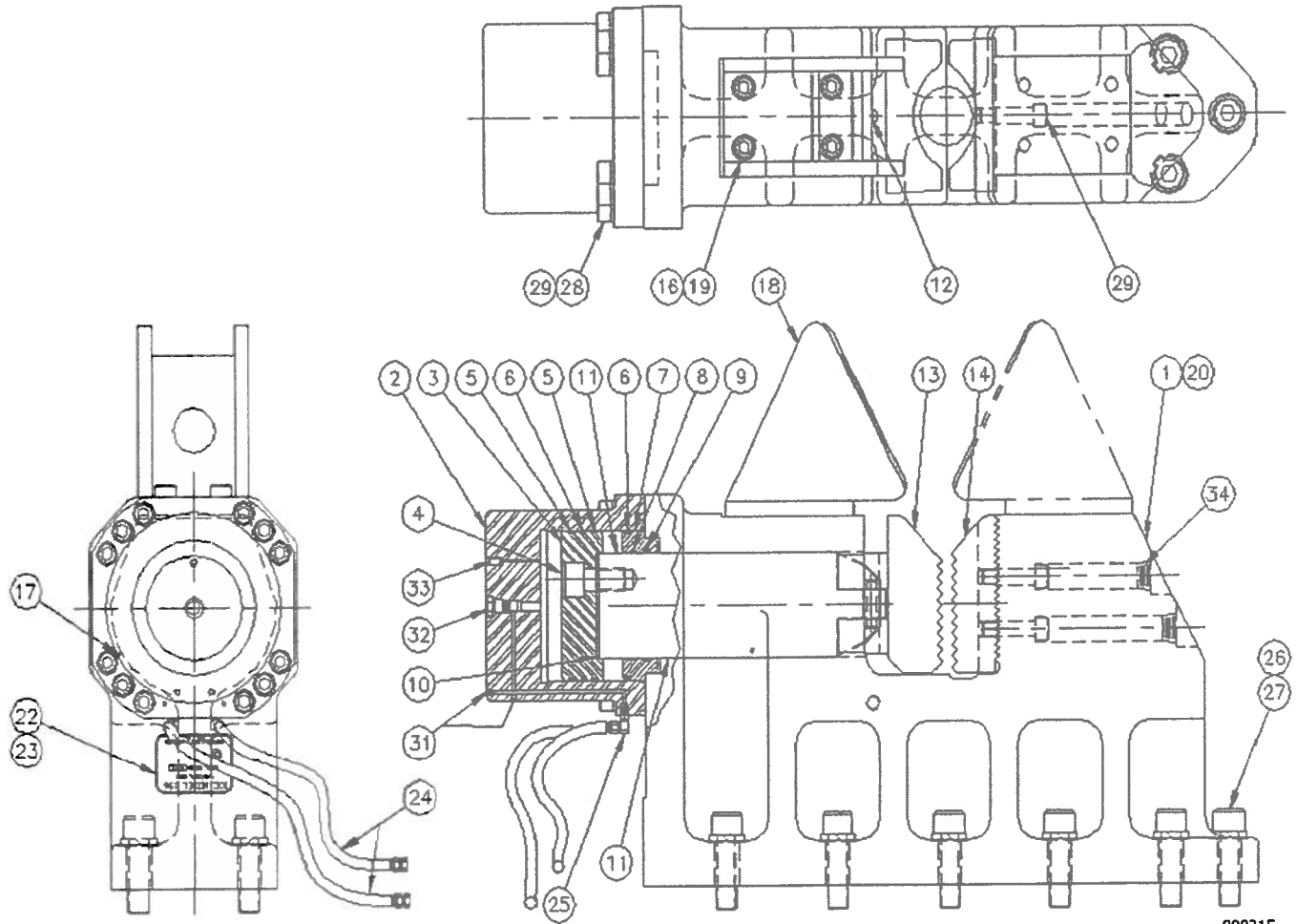
Weight – 2,900 lbs, 1315 kg

Serial number location - Clamp serial number plate, stamped on clamp body and cylinder housing



800315-D1M

MODEL 196C UNIVERSAL CLAMP



800315

MODEL 196C UNIVERSAL CLAMP

Assembly No. 800315

Item	Part Number	Qty	Part Description
1	810457	1	196 Clamp body
2	810459	1	Clamp cylinder housing
3	702089	1	Rod & piston assembly (See Note)
7	120539	1	Rod end cap 196
12	130449	1	3/4" x 3" Heavy spiral pin
13	810461	1	Double-sheeting jaw - movable
14	810463	1	Double-sheeting jaw - Fixed
16	1X34	12	1.00 Lock washer (Medium)
17	1X813	2	1/4" Grease fitting
18	100983	1	Pile feed guide
19	100213	4	1.00-8UNC X 2.50 SHCS
20	100298	0.25	ICE Green paint (gallon)
22	730045	1	Clamp serial number plate
23	1X1516	4	#10 X 3/8" Drive screw Type U
24	1X8587	4	FITT2C-06J000000-000H001
25	130057	2	FITT2L-06M06R000-000H001
26	1X8548	10	1.50-6UNC X 5.00 SHCS
27	1X8502	10	1.50 Lock washer extra heavy
28	1X8512	4	1.00 Hi-Collar lock washer
29	100212	14	1.00-8UNC X 4.00 SHCS
31	1X823	4	FITT2P-02P000000-000S001
32	120629	1	Holding valve cartridge
33	120761	1	Pointed set screw
34	1X821	2	FITT2P-24P000000-000S001
	810473	1	Seal kit (includes items 5, 6, 8, 9)
5	120551	2	Piston bearing
6	120549	2	T-seal
8	120555	1	Rod Bearing
9	120553	1	Rod T-seal

Note: Newer units have one-piece rod and piston Older units have two-piece rod and piston

Item	Part Number	Qty	Part Description
3	120537	1	Piston
11	120535	1	Rod
4	120157	3	1.50-6UNC X3.00
10	120347	1	2-261 O-ring

MODEL 385 UNIVERSAL CLAMP

Assembly No. 830285

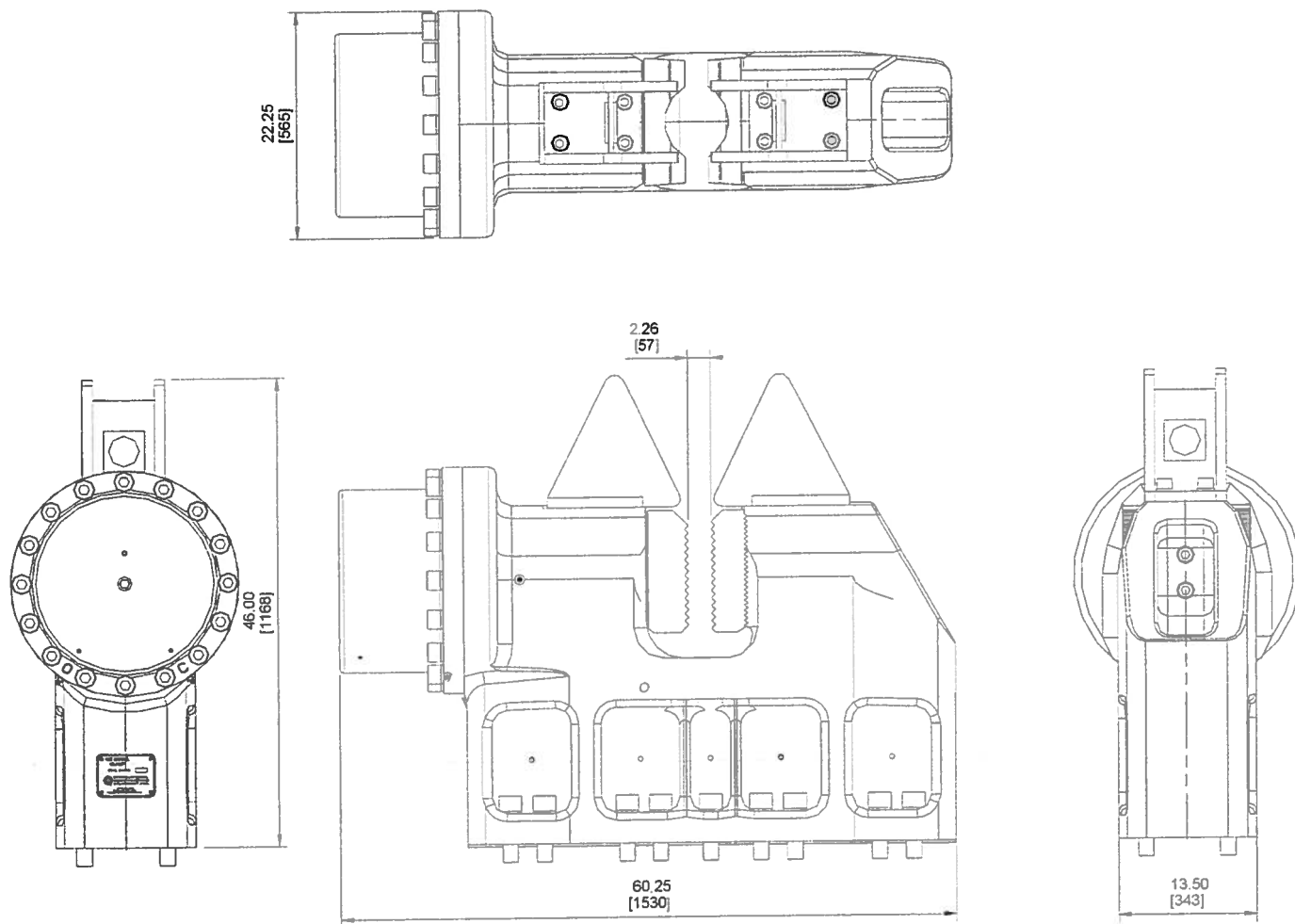
Manufactured Dec 09 to present

Serial numbers C385001 and up

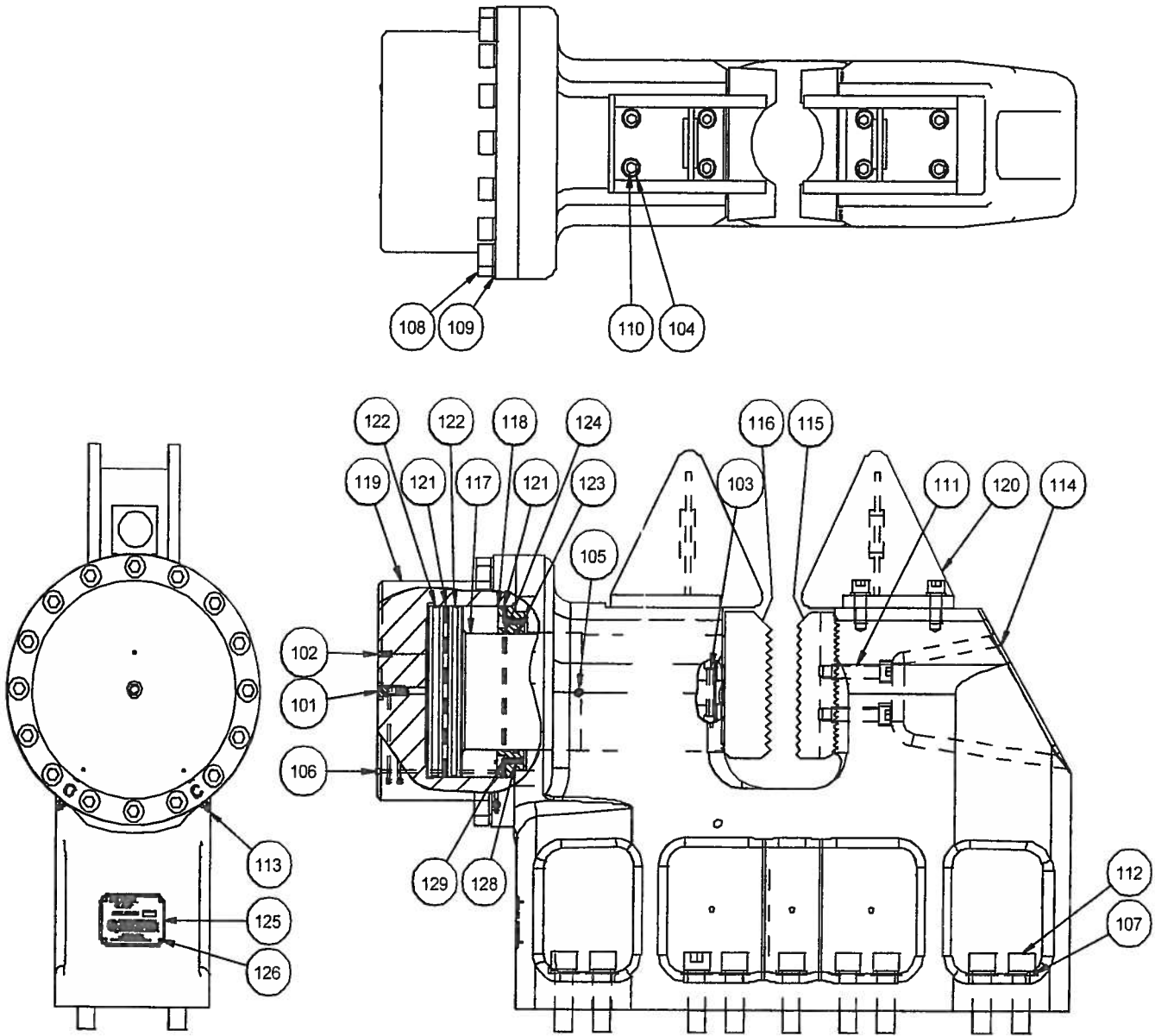
Clamping force – 385 tons at 5000 psi (3425 kN at 345 bar)

Weight – 5,400 lbs, 2455kg

Serial number location - Clamp serial number plate, stamped on clamp body and cylinder housing



MODEL 385 UNIVERSAL CLAMP



MODEL 385 UNIVERSAL CLAMP

Assembly No. 830285

Item	Part Number	Qty	Part Description
101	120629	1	Holding Valve
102	120761	1	Pointed Set Screw
103	720224	1	0.75 X 4.00 Spiral Pin
104	1X34	8	1.00 Spring Lock Washer
105	1X812	2	1/8" NPT Grease Fitting
106	1X823	4	FITT2P-02P000000-000S001
107	1X8502	18	1.50" Spring Lock Washer
108	1X8505	16	1.25-7UNC X 4.00 SHCS
109	1X8506	16	1.25 Hi-Collar Lock Washer
110	1X8511	8	1.00-8UNC X 2.50 SHCS
111	1X8544	2	1.00-8UNC X 5.00 SHCS
112	1X8548	18	1.50-6UNC X 5.00 SHCS
113	1X8768	2	FITT2S06M06R000-000H001
114	720206	1	Clamp Body
115	720207	1	Fixed Jaw
116	720208	1	Movable Jaw
117	123456	1	Rod & Piston
118	720206	1	Rod End Cap
119	720211	1	Clamp Cylinder Housing
120	100983	1	Pile Guide (2nd optional)
	840545	1	Seal Kit (includes items 121-124)
121	720216	2	Piston Seal
122	720217	2	Piston Bearing
123	720218	1	Rod Seal
124	720219	1	Rod Bearing
125	730045	1	Clamp Serial Number Plate
126	1X1516	4	No. 10 X 0.375 Drive Screw
128	1X488	2	0.375-16UNC X 1.00 Set Screw
129	400992	2	FITT2P-06R000000-000S001

MODEL 40 TIMBER/CONCRETE/PIPE CLAMP

Assembly No. 830271

Used on vibrators with clamp pressure above 4000 psi (275 bar)

Manufactured Mar 07 to present

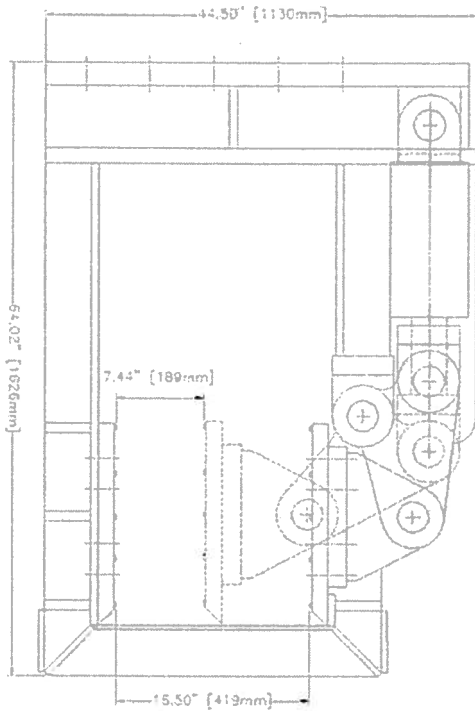
Serial numbers C40011 and up

Clamping force – 40 tons at 4500 psi, 355 kN at 310 bar

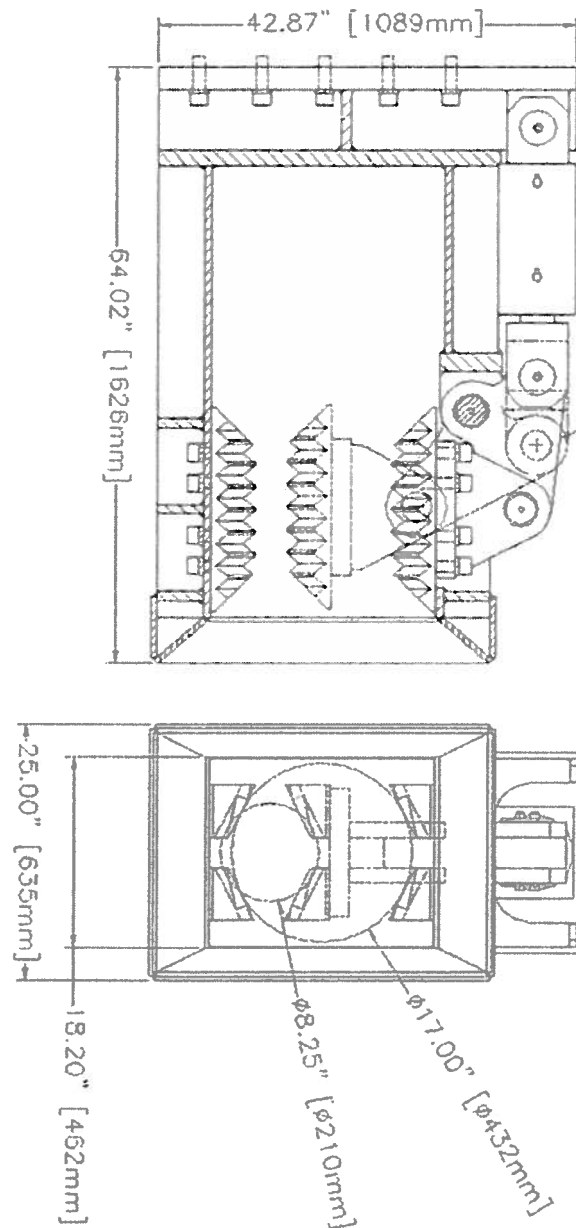
Weight – 3,220 lb, 1460 kg

Serial number location – Clamp serial number plate, stamped on both sides of top plate

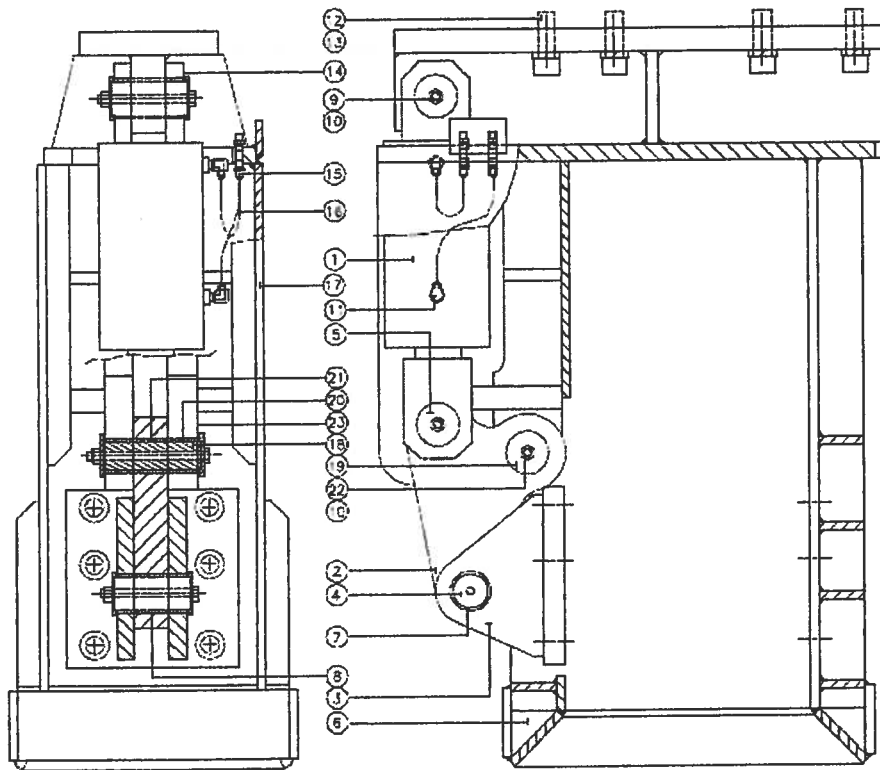
Concrete Jaws
720093



Timber Jaws
720088-DIM



MODEL 40 TIMBER/CONCRETE/PIPE CLAMP



Item	Part Number	Qty	Part Description
1	720079	1	6" Hydraulic cylinder
	720175	1	Seal kit
2	720188	1	Link
3	720081	1	Jaw base
4	720082	4	Pin
5	720194	8	Washer
6	720191	1	Clamp frame
7	720085	6	1 1/2" Long spring bushing
8	720086	3	3" Long spring bushing
9	1X8444	3	0.75-10UNC X 9.00 HHCS
10	1X8708	4	0.75-10UNC Flex Nut
11	1X8086	2	FITT2L-06M08P000-0000001
12	1X8761	8	1.50-6UNC X 4.00 SHCS
13	1X8502	8	1.50 Lock washer extra heavy
14	1X8114	6	-234 O-Ring
15	1X1151	4	FITT2S-06M06P000-000H001
16	720132	2	HOSE038R02J006J006L01200
17	100298	1	ICE Green paint (gallon)
18	720189	1	Pin
19	720195	2	Washer
20	720186	2	2.5 in. lg. spring bushing
21	720187	1	3.00 in. lg. spring bushing
22	1X8935	1	0.75-UNC X 11 HHCS
23	110829	2	-230 O-ring

MODEL 40 TIMBER/CONCRETE/PIPE CLAMP ACCESSORIES

Part Number	Qty	Description
Jaw bolts		
1X8502	12	1.5 Lock washer
1X8742	6	1.5-6UNC X 3.00 SHCS
1X8761	6	1.5-6UNC X 4.00 SHCS
Jaws		
720091	1	Set - Timber jaws
720043	1	Timber jaw - Right
720044	1	Timber jaw - Left
720093	1	Set - Concrete jaws
720046	1	Concrete jaw - Fixed
720046	1	Concrete jaw - Movable
840188	1	Set - 10" Pipe jaws
720157	1	Pipe jaw - 10" Fixed
720158	1	Pipe jaw - 10" Movable
840189	1	Set - 10 3/4" Pipe jaws
720159	1	Pipe jaw - 10 3/4" Fixed
720160	1	Pipe jaw - 10 3/4" Movable
840190	1	Set - 12" Pipe jaws
720161	1	Pipe jaw - 12" Fixed
720162	1	Pipe jaw - 12" Movable
840191	1	Set - 12 3/4" Pipe jaws
720163	1	Pipe jaw - 12 3/4" Fixed
720164	1	Pipe jaw - 12 3/4" Movable
840192	1	Set - 14" Pipe jaws
720165	1	Pipe jaw - 14" Fixed
720166	1	Pipe jaw - 14" Movable
840193	1	Set - 16" Pipe jaws
720167	1	Pipe jaw - 16" Fixed
720168	1	Pipe jaw - 16" Movable
840194	1	Set - 17" Pipe jaws
720169	1	Pipe jaw - 17" Fixed
720170	1	Pipe jaw - 17" Movable

MODEL 85 TIMBER/CONCRETE CLAMP

Assembly No. 720107

Manufactured Dec 05 to present

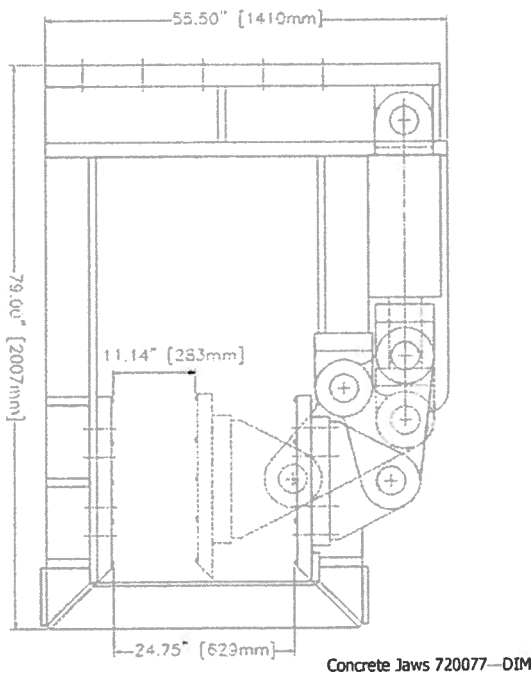
Serial numbers C85001 and up

Clamping force – 85 tons at 4500 psi, 756 kN at 310 bar

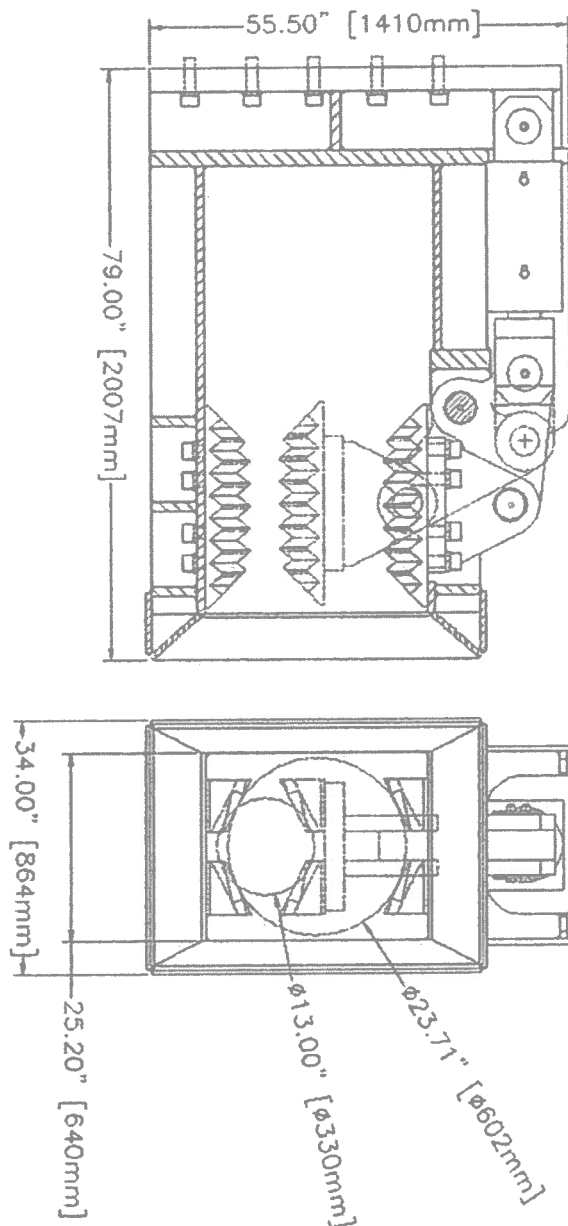
Weight – 6,500 lb, 2950 kg

Serial number location – Clamp serial number plate, stamped on both sides of top plate

Concrete Jaws
720077-DIM

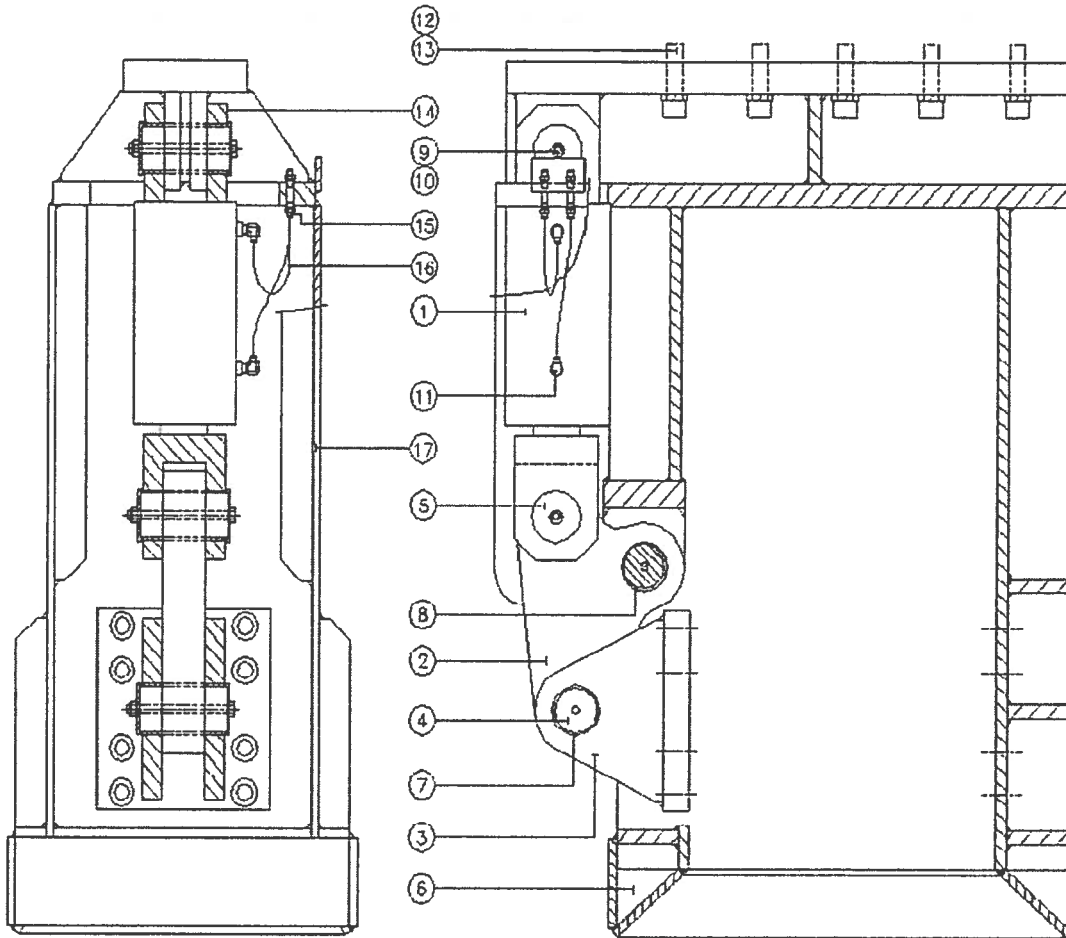


Timber Jaws
720112-DIM



Timber Jaws 720112-DIM

MODEL 85 TIMBER/CONCRETE CLAMP



720107

Item	Part Number	Qty	Part Description
1	720095	1	Hydraulic cylinder
	720177	1	Seal kit
2	720096	1	Link
3	720097	1	Jaw base
4	720098	4	Pin
5	720099	8	Washer
6	720100	1	Clamp frame
7	720104	8	Spring bushing 4" ID X 4 1/2" OD x 2"
8	720105	4	Spring bushing 4" ID X 4 1/2" OD x 4"
9	720106	4	0.75-10UNC X 10.00 HHCS Gr 8
10	1X4513	4	0.75-10UNC Hex Nyloc Nut
11	1X8086	2	FITT2L-06M08P000-0000001
12	1X8502	10	1.50 Lock Washer Extra Heavy
13	1X8548	10	1.50-6UNC X 5.00 SHCS
14	1X8953	8	O-RING -242 90 D
15	1X1151	4	FITT2S-06M06P000-000H001
16	720133	2	HOSE038R02J006J006L01500
17	100298	1	ICE Green paint (gallon)

MODEL 85 TIMBER/CONCRETE CLAMP ACCESSORIES

Part number	Qty	Description
720108	1	Concrete pile jaw set includes the following:
720101	2	Concrete pile jaw
1X8502	16	1.50 Lock washer extra heavy
1X8548	8	1.50-6UNC X 5.00 SHCS
1X8742	8	1.50-6UNC X 3.00 SHCS
720109	1	Timber pile jaw set includes the following:
720101	2	Timber pile jaw
1X8502	16	1.50 Lock washer extra heavy
1X8548	8	1.50-6UNC X 5.00 SHCS
1X8742	8	1.50-6UNC X 3.00 SHCS
	1	2" Padding set for timber jaw includes the following:
720144	2	2" Pad (fits behind fixed jaw)
1X8548	8	1.50-6UNC X 5.00 SHCS

MODEL 100BH CAISSON CLAMP WITH HYDROLOCK™

Assembly No. 800047

Manufactured Feb 02 to present

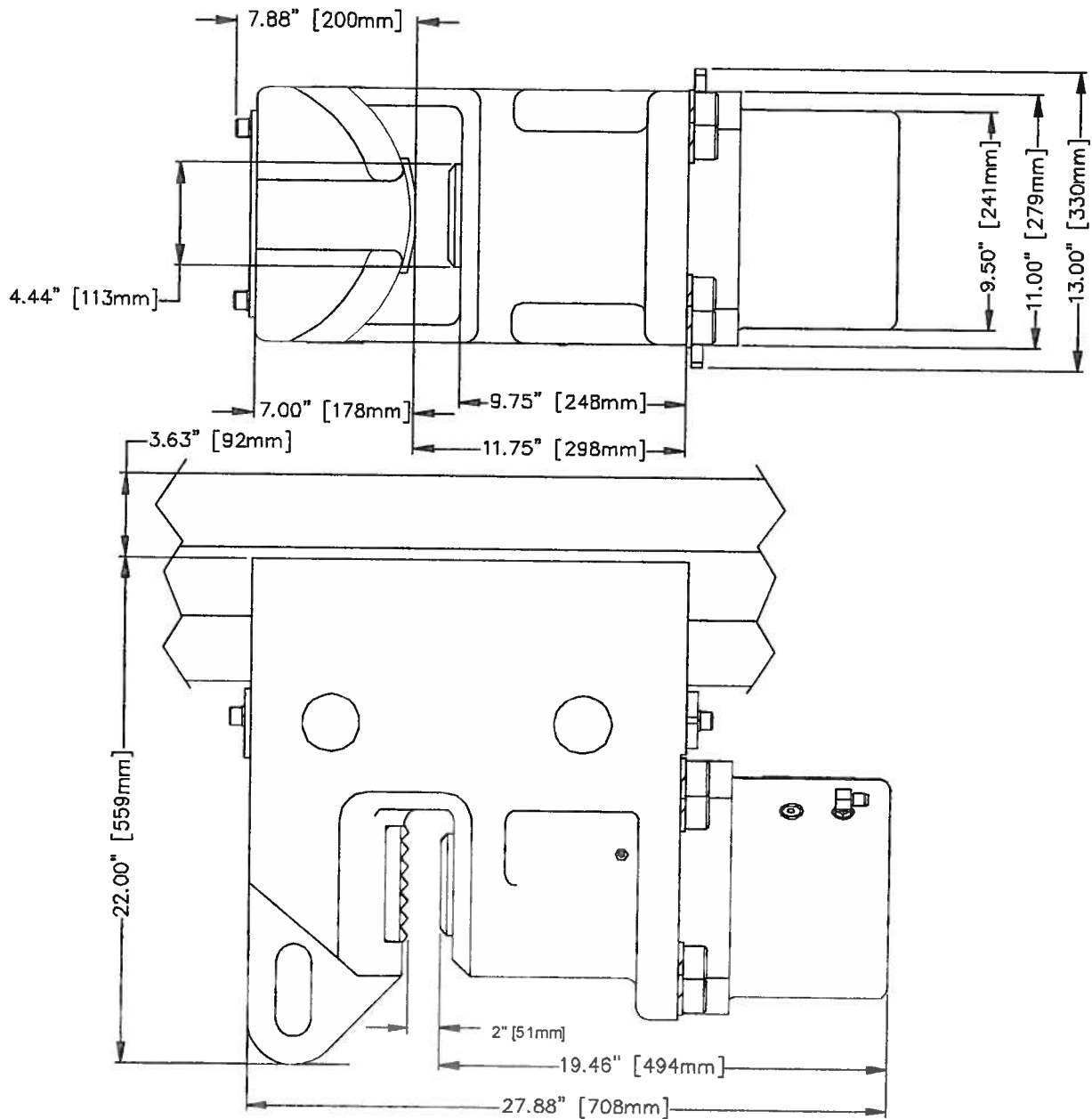
Serial numbers C53255 and up

Replaces Model 80

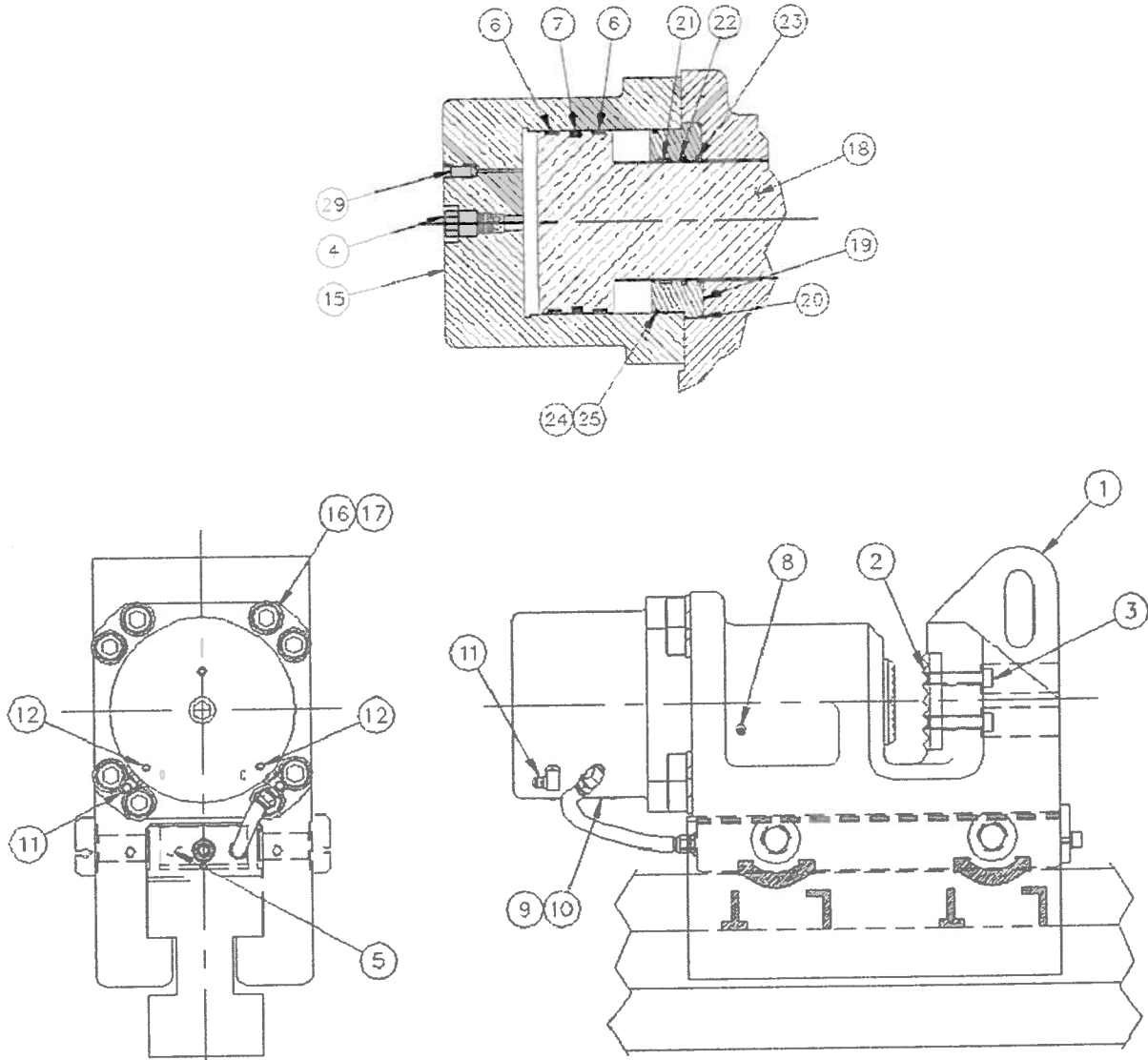
Clamping force – 110 tons at 5000 psi, 975 kN at 345 bar

Weight – 965lb, 438 kg

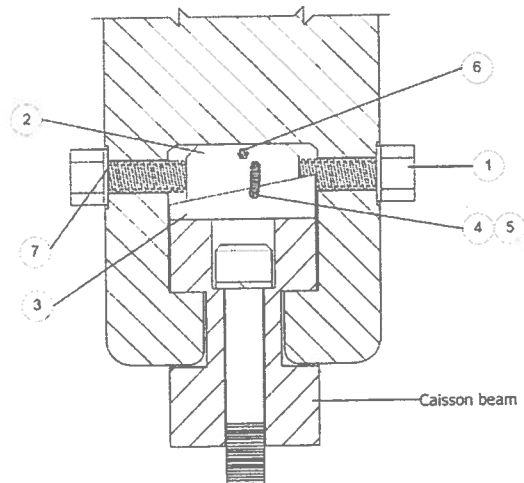
Serial number location – Clamp serial number plate, stamped on clamp body and cylinder housing



MODEL 100BH CAISSON CLAMP WITH HYDROLOCK



OPTIONAL WEDGE LOCK ASSEMBLY



MODEL 100BH CAISSON CLAMP WITH HYDROLOCK

Assembly No. 830057

Item	Part Number	Qty	Part Description
1	720119	1	Clamp body 100B
2	120107	1	Fixed Jaw
3	400157	2	0.625-11 UNC X 2.75 SHCS
4	120629	1	Holding valve cartridge
5	800399	1	100BHL HydroLock Assembly
	830495	1	100B Seal kit (Includes items 6,7,20-25)
6	720118	2	Piston bearing
7	720117	1	Piston seal
20	720120	1	2-265 O-Ring 90 DURO
21	120627	1	Rod bearing (80B)
22	120625	1	Rod seal (80B)
23	120345	1	Rod wiper
24	120100	1	2-263 O-ring
25	720116	1	263 Back-up ring
8	1X812	2	1/8" Grease fitting
9	730045	1	Clamp serial number plate
10	1X1516	4	#10 X 3/8" Drive screw Type U
11	130057	1	FITT2L-06M06R000-000H001
12	1X823	8	FITT2P-02P000000-000S001
15	720112	1	Cylinder housing
16	100212	8	1.00-8UNC X 4.00 SHCS
17	1X34	8	1.00 Lock Washer (Medium)
18	720146	1	Rod & Piston assembly (One-piece)
19	720113	1	Rod end cap 100B
29	120761	1	Pointed set screw

OPTIONAL WEDGE LOCK ASSEMBLY (REPLACES HYDROLOCK ASSEMBLY)

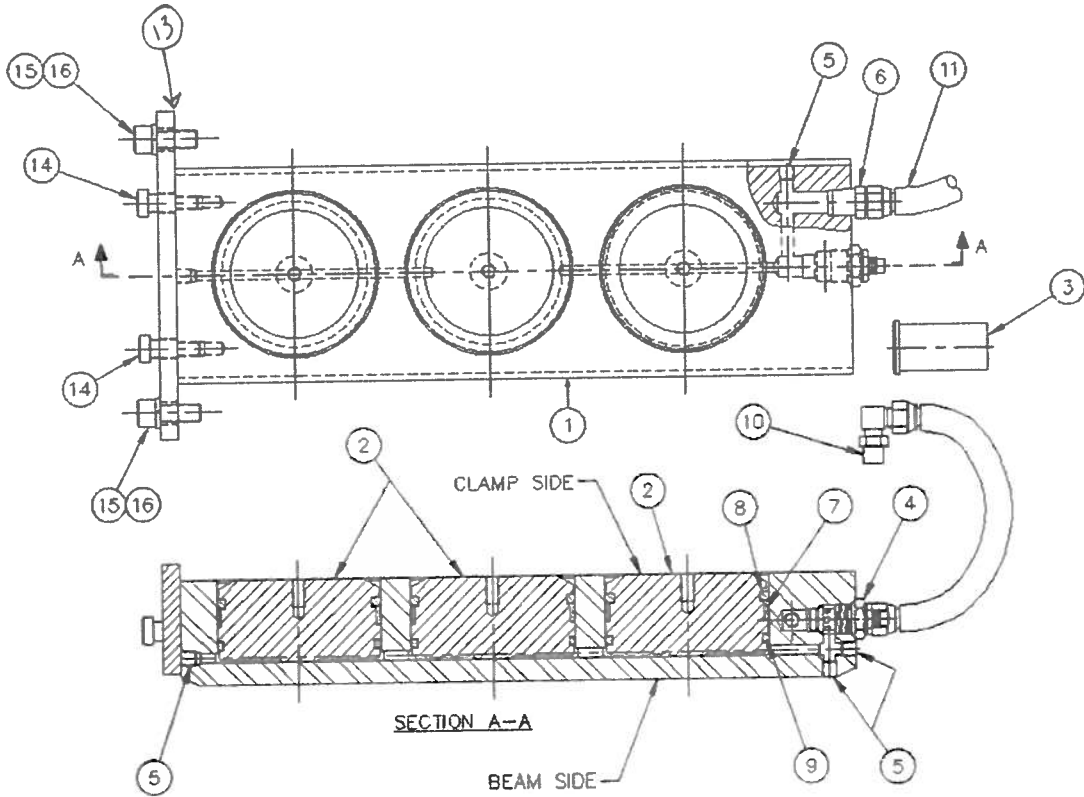
Item	Part Number	Qty	Part Description
1	810109	2	Screw Assembly
2	120101	2	Wedge
3	120103	2	Lock
4	120113	8	Drive Pin
5	120115	4	Spring
6	1X812	2	Grease Fitting
	1X823	2	FITT2P-02P000000-000S001 (opposite end from grease fitting)
7	120111	4	1.25 HS Washer

100BHL HydroLock Assembly for Model 80, 80B & 100B Clamps

Assembly No. 800399

Converts Models 80, 80B & 100B Caisson clamps from wedge lock to HydroLock

Serial number location – No serial number



Item	Part Number	Qty	Part Description
1	120639	1	Lock body
2	120641	3	Piston
3	120643	4	Button
4	120651	1	Lock body holding valve
5	1X823	4	FITT2P-02P000000-000S001
6	400203	1	FITT2S-06M06P000-000H001
	830641	3	Seal kit (Includes items 7-9)
7	120645	1	Piston bearing
8	120649	1	Piston wiper
9	120647	1	Piston seal
10	130057	1	FITT2L-06M06R000-000H001
11	120657	1	HOSE038R02J006J906L00800
13	120653	1	LB Retainer plate
14	140143	2	0.50-13UNC X 0.75 SHSS
15	100119	2	0.50-13UNC X 1.25 SHCS
16	100121	2	0.50 Lock washer

MODEL 142BH CAISSON CLAMP WITH HYDROLOCK

Assembly No. 830236

Manufactured Nov 07 to present

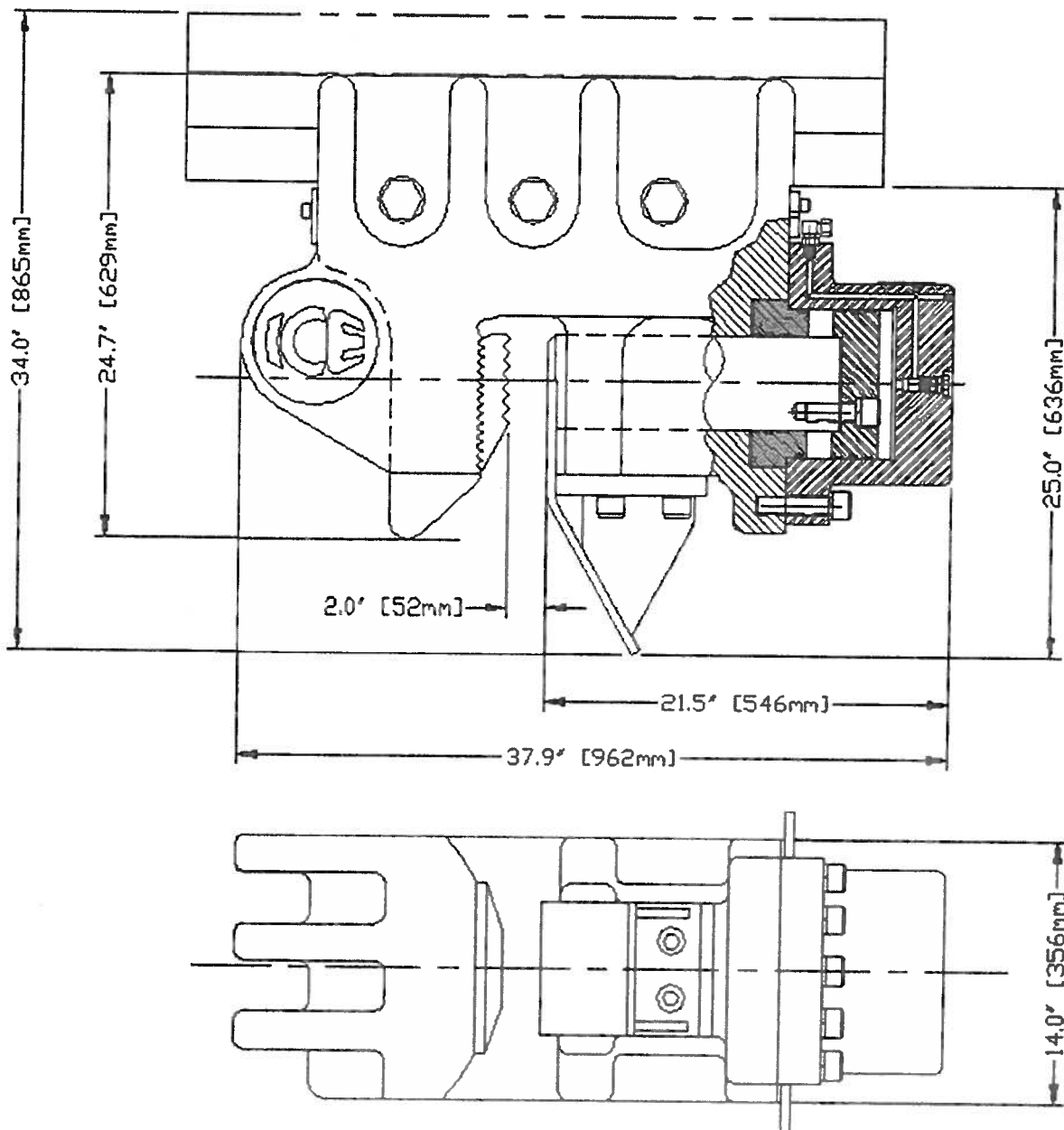
Serial numbers C14201 and up

Replaced Model 122B

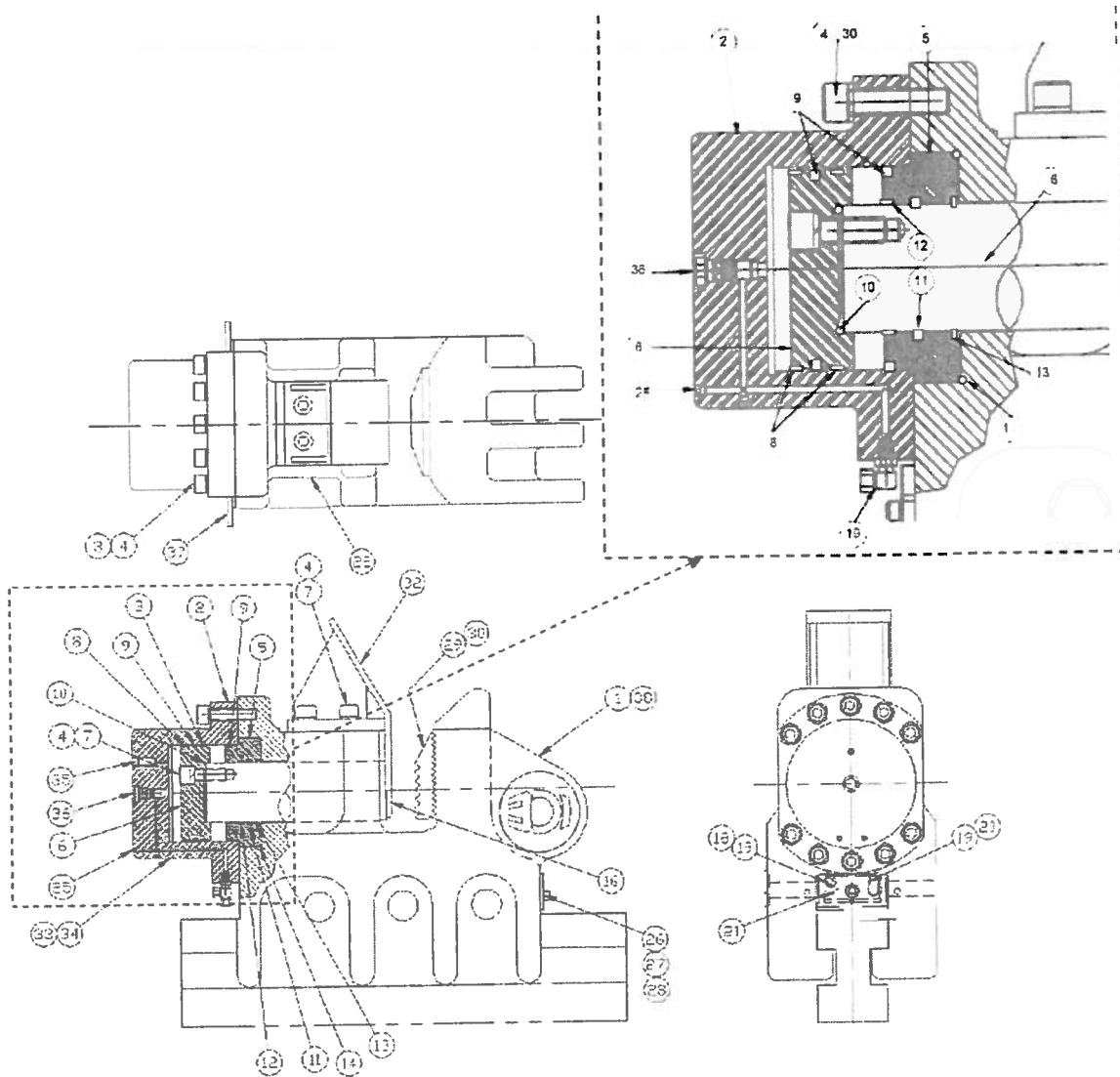
Clamping force – 142 tons at 5000 psi, 1260 kN at 345 bar

Weight – 1,776 lb, 806 kg

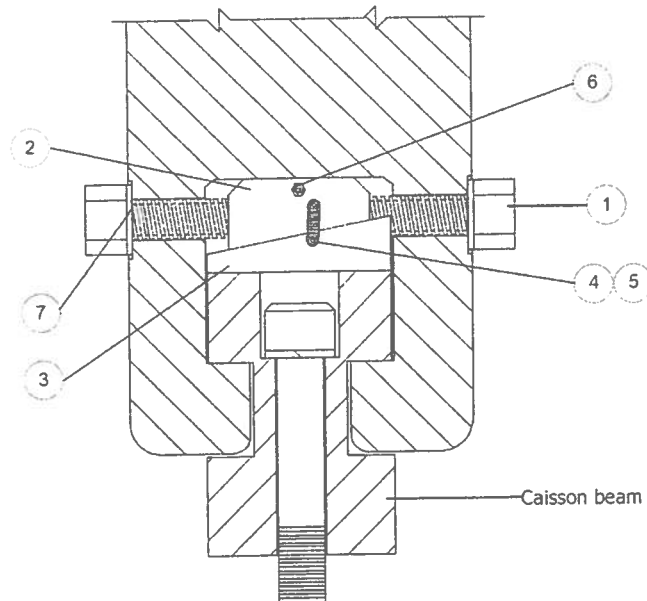
Serial number location – Clamp serial number plate, stamped on clamp body and cylinder housing



MODEL 142BH CAISSON CLAMP WITH HYDROLOCK



OPTIONAL WEDGE LOCK ASSEMBLY



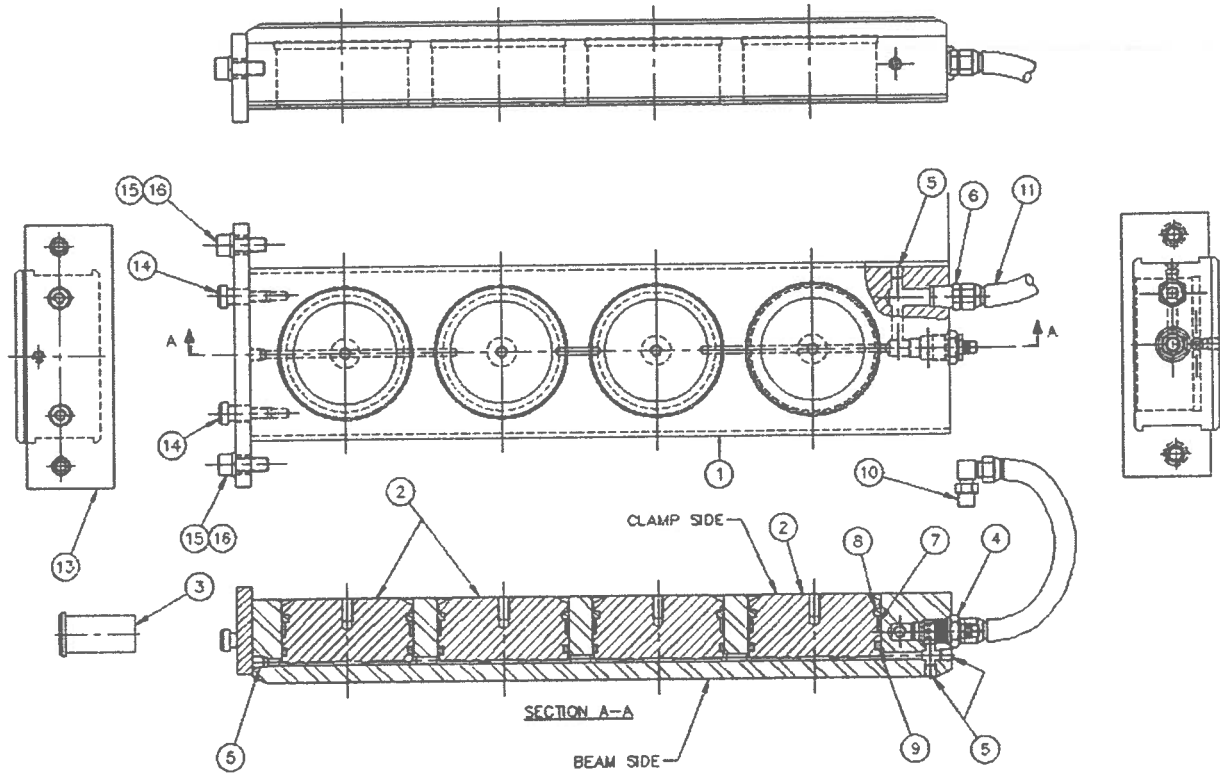
MODEL 142BH CAISSON CLAMP WITH HYDROLOCK

Item	Part Number	Qty	Part Description
1	810183	1	Clamp body
2	760068	1	140 Clamp cylinder housing
3	100212	10	1.00-8UNC X 4.00 SHCS
4	100213	7	1.00-8UNC X 2.50 SHCS
5	720172	1	Rod end cap
6	720171	1	Piston
7	1X8512	17	1.00 Hi-Collar Lock Washer
	840198	1	142B Seal Kit (includes items 8-14)
8	720174	2	Piston bearing
9	760074	2	Piston T-seal
10	120683	1	248 O-ring
11	120685	1	Rod T-seal
12	120687	1	Rod Bearing
13	120289	1	Rod Wiper
14	120401	1	O-ring 2-269
16	120637	1	Cylinder rod
18	1X8587	2	FITT2C-06J000000-000H001
19	130057	1	FITT2L-06M06R000-000H001
20	120655	1	FITT2T-06M06R06M-000H001
21	800559	1	142BHL HydroLock Assembly
22	1X812	2	1/8" Grease fitting
25	1X823	8	FITT2P-02P000000-000S001
27	100119	4	0.50-13UNC X 1.25 SHCS
28	100121	6	0.50 Lock Washer
29	120261	1	Model 122 fixed jaw
30	100773	2	0.625-11UNC X 4.50 SHCS
31	100007	2	0.625 Lock Washer
32	120259	1	Pile guide
33	730045	1	Clamp serial number plate
34	1X1516	4	#10 X 3/8" Drive screw Type U
35	120761	1	Pointed set screw
36	120629	1	Holding valve cartridge
38	100298	0.25	ICE Green Paint (gallon)

OPTIONAL WEDGE LOCK ASSEMBLY (REPLACES HYDROLOCK ASSEMBLY)

Item	Part Number	Qty	Part Description
1	810109	3	Screw Assembly
2	120101	3	Wedge
3	120103	3	Lock
4	120113	12	Drive Pin
5	120115	6	Spring
6	1X812	3	Grease Fitting
	1X823	3	FITT2P-02P000000-000S001 (opposite side of grease fitting)
7	120111	6	1.25 HS Washer

142BHL HYDROLOCK ADAPTER FOR MODEL 122, 122B & 142B CLAMPS



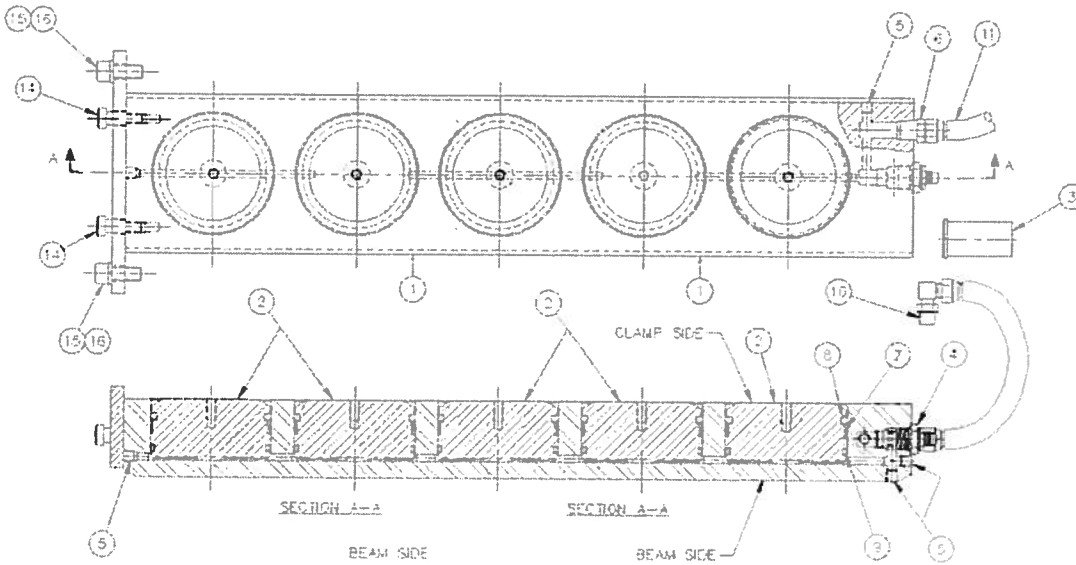
Item	Part Number	Qty	Part Description
1	120773	1	122 LOCK BODY
2	120641	4	Piston
3	120643	6	Button
4	120651	1	Lock Body Holding Valve
5	1X823	4	FITT2P-02P000000-000S001
6	400203	1	FITT2S-06M06P000-000H001
	830641	4	Seal kit (Includes items 7-9)
7	120645	1	Piston bearing
8	120649	1	Piston wiper
9	120647	1	Piston seal
11	120657	1	HOSE038R02J006J906L00800
13	120653	1	LB Retainer plate
14	140143	2	0.50-13UNC X 0.75 SHSS
15	100119	2	0.50-13UNC X 1.25 SHCS
16	100121	2	0.50 Lock washer

MODEL 140C HYDROLOCK ADAPTER

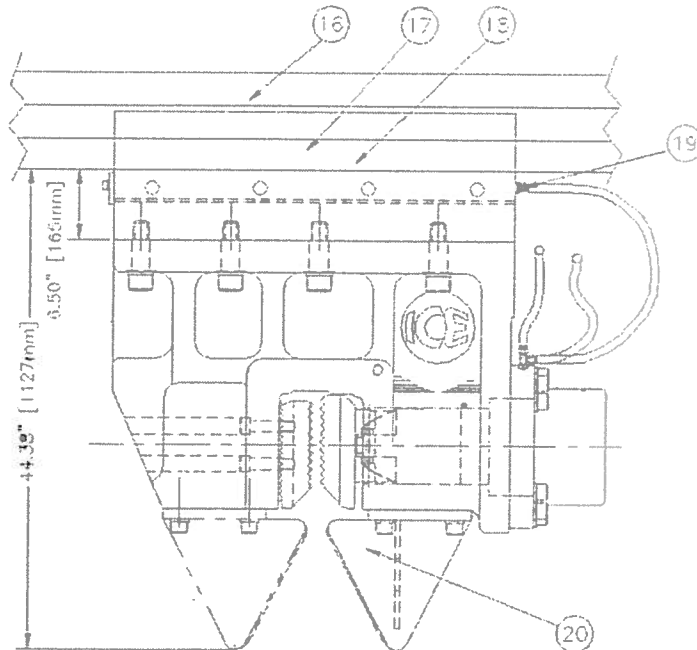
Assembly No. 840014

Adapts Model 140C Universal clamp to caisson beams

Serial number location – No serial number



800399



840014

MODEL 140C HYDROLOCK ADAPTER

Assembly No. 840014

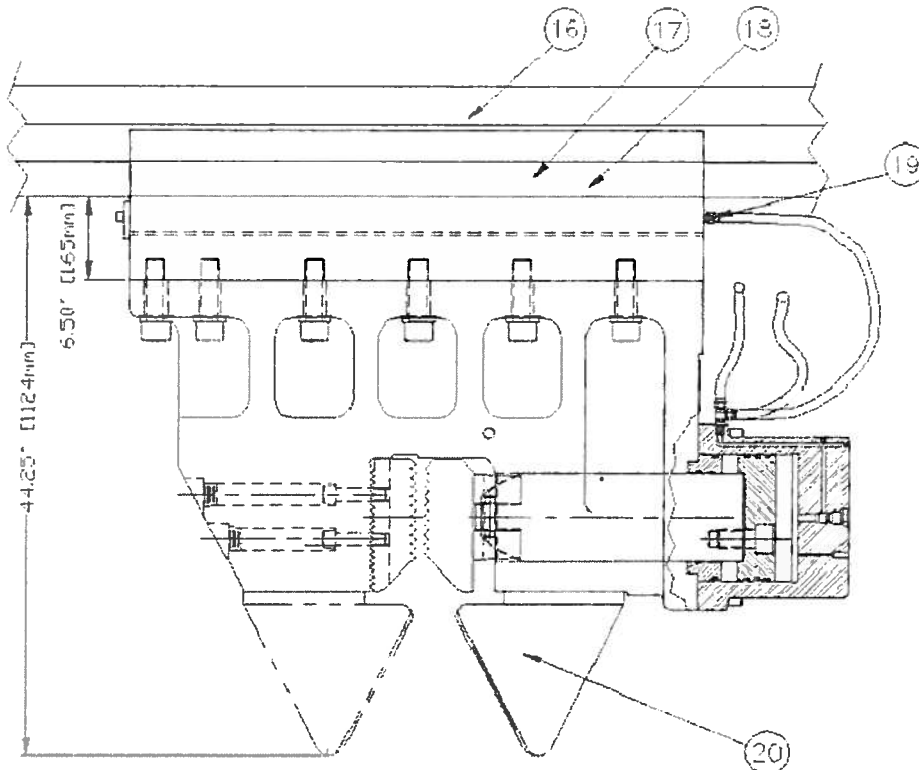
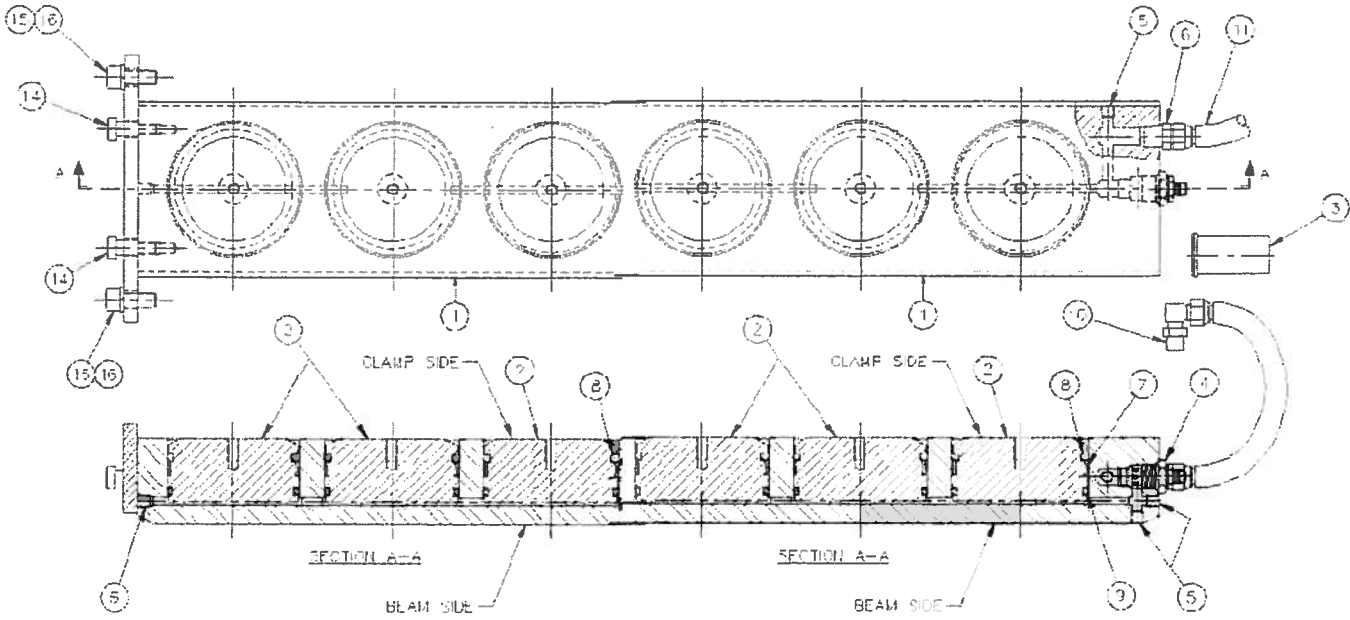
Item	Part Number	Qty	Part Description
19		1	Lock body assembly (include items 1-15)
1	120639	1	Lock body
2	120641	5	Piston
3	120643	0	Button
4	120651	1	Lock Body Holding Valve
5	1X823	4	FITT2P-02P000000-000S001
6	400203	1	FITT2S-06M06P000-000H001
	830641	5	Seal kit (Includes items 7-9)
7	120645	1	Piston bearing
8	120649	1	Piston Wiper
9	120647	1	Piston seal
10	130057	1	FITT2L-06M06R000-000H001
11	120657	1	HOSE038R02J006J906L00800
13	120653	1	LB Retainer plate
14	140143	2	0.50-13UNC X 0.75 SHSS
15	100119	2	0.50-13UNC X 1.25 SHCS
15	100121	2	0.50 Lock Washer
16		1	Any caisson beam or 4' T-Bar (See Note)
17	730442	1	Clamp adapter
18	100298	0.25	ICE Green paint (gallon)
20	800315	1	Model 126C or 140C clamp (See Note)

MODEL 196C HYDROLOCK ADAPTER

Assembly No. 840033

Adapts Model 196C Universal clamp to caisson beams

Serial number location – No serial number



Note: Not included in adapter assembly

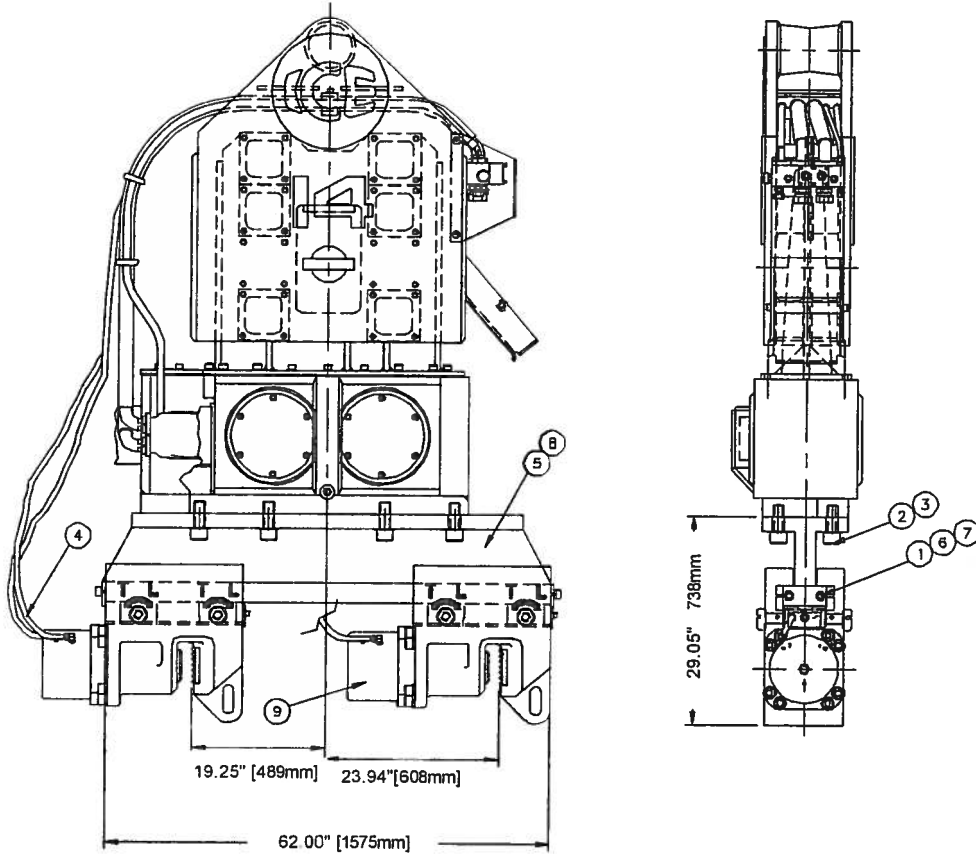
MODEL 196C HYDROLOCK ADAPTER

Assembly No. 840033

Item	Part Number	Qty	Part Description
19		1	Lock body assembly (include items 1-15)
1	120639	1	Lock body
2	120641	6	Piston
3	120643	0	Button
4	120651	1	Lock Body Holding Valve
5	1X823	4	FITT2P-02P000000-000S001
6	400203	1	FITT2S-06M06P000-000H001
	830641	6	Seal kit (Includes items 7-9)
7	120645	1	Piston bearing
8	120649	1	Piston wiper
9	120647	1	Piston seal
10	130057	1	FITT2L-06M06R000-000H001
11	120657	1	HOSE038R02J006J906L00800
13	120653	1	LB Retainer plate
14	140143	2	0.50-13UNC X 0.75 SHSS
15	100119	2	0.50-13UNC X 1.25 SHCS
15	100121	2	0.50 Lock washer
16		1	Any caisson beam or 4' T-Bar (See Note)
17	730442	1	Clamp adapter
18	100298	0.25	ICE Green paint (gallon)
20	830053	1	Model 196C clamp (See Note)

3' CAISSON BEAM FOR MODELS 216, 216B, 216E, 11, 14 & 14C VIBRATORS

Used on Models 216, 216B, 216E, 11 14 & 14C vibrators
 Used with Models 80, 80B, 100B & 100BH Caisson clamps
 Manufactured 2000 to present
 Serial numbers B30001 and up
 Weight - 1100 lbs, 499 kg
 Weight with two Model 100BH clamps - 3010 lbs, 1376 kg
 Serial number location -- Stamped on both side and end of beam.



Minimum ID	14.125"	358 mm
Maximum OD with cylinders in	48.00"	1219 mm
Maximum ID with cylinders out	39.50"	978 mm

Item	Part Number	Qty	Part Description
1	120011	2	Clamp stop
2	130219	12	1.50 Hi-Collar Lock washer
3	1X8769	12	1.50-6unc X 4.50 SHCS
4	720128	2	HOSE038R02J006J006L03600
4	720136	2	HOSE038R02J906J006L08800
4	400413	1	FITT2T-06M06P06M-0000001
5	810347	1	3' Caisson beam
6	400069	4	0.75-10UNC X 2.00 SHCS
7	1X32	4	0.75 Lock washer
8	100298	0.5	ICE Green Paint (gallon)
9	830057	2	Model 100BH Caisson Clamp

5' CAISSON BEAM FOR MODELS 216, 216B, 216E, 11, 14 & 14C VIBRATORS

Assembly # 840110

Used on Models 216, 216B, 216E, 11 14 & 14C vibrators

Used with Models 80, 80B, 100B & 100BH Caisson clamps

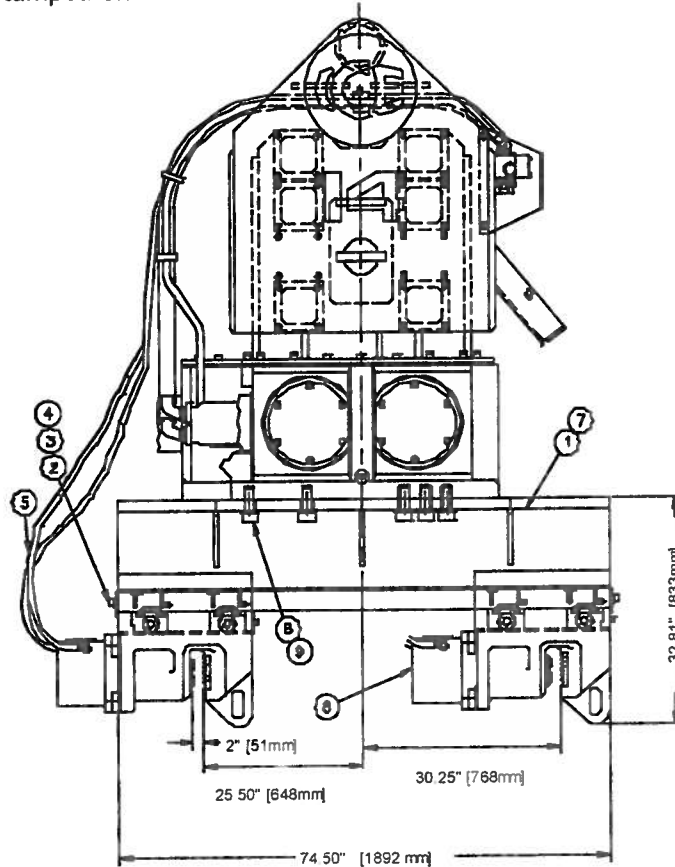
Manufactured 2000 to present

Serial numbers B50001 and up

Weight - 1200 lbs, 544 kg

Weight with two Model 100BH clamps - 3,130 lbs, 1420 kg

Serial number location – Stamped on both side and end of beam.



Minimum ID	14.125"	358 mm
Maximum OD with cylinders in	60.50"	1638 mm
Maximum ID with cylinders out	51.50"	1296 mm

Item	Part Number	Qty	Part Description
1	720135	1	5' Caisson beam
2	120011	2	Clamp Stop
3	400069	4	0.75-10UNC X 2.00 SHCS
4	1X32	4	0.75 Lock washer
5	720128	2	HOSE038R02J006J006L03600
	720136	2	HOSE038R02J906J006L08800
	120081	2	FITT2S-06M06M000-000H001
6	1X8502	8	1.50 Lock washer extra heavy
7	100298	0.25	ICE Green paint (gallon)
9	1X8742	8	1.50-6UNC X 3.00 SHCS
10	400413	2	FITT2T-06M06P06M-0000001

6.5' CAISSON BEAM

Assembly No. 840017

Used on Models 416L, 44, 44B, 66 & 66C vibrators. Also Models 423, 612 & 815.

Used with Models 80, 80B, 100B & 100BH Caisson clamps

Manufactured as 7' beam since 1977, 6.5' since 2002

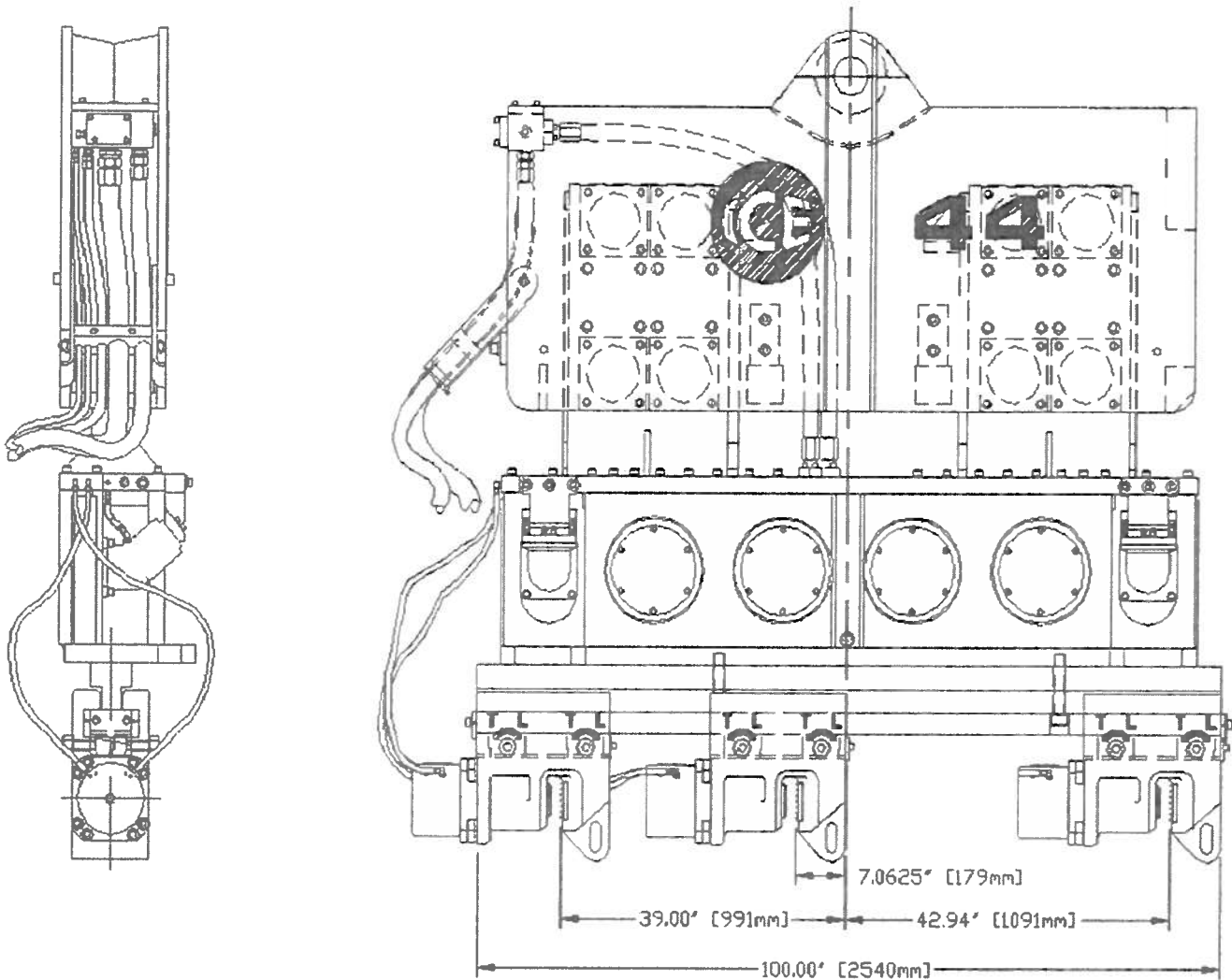
Serial numbers B50902 and up

Weight for beam only - 1145 lbs, 520 kg

Weight with two Model 100BH clamps - 3075 lbs, 1395 kg

Weight with two Model 142BH clamps - 4695 lbs, 2130 kg

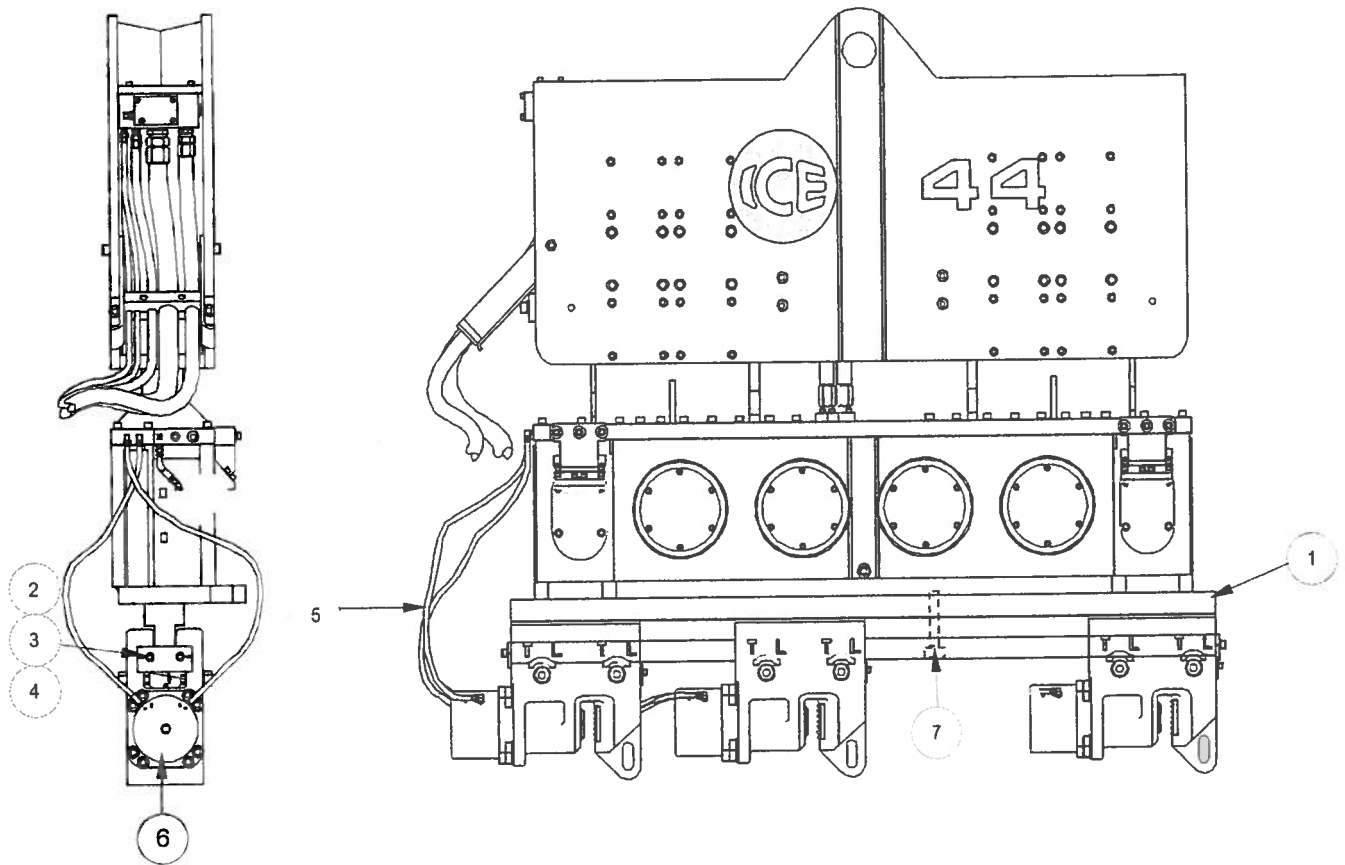
Serial number location - Stamped on both side and end of beam



Minimum IDD	14.125"	358 mm
Maximum OD with cylinders in	85.88"	2181 mm
Maximum ID with cylinders out	78.00"	1982 mm

6.5' CAISSON BEAM

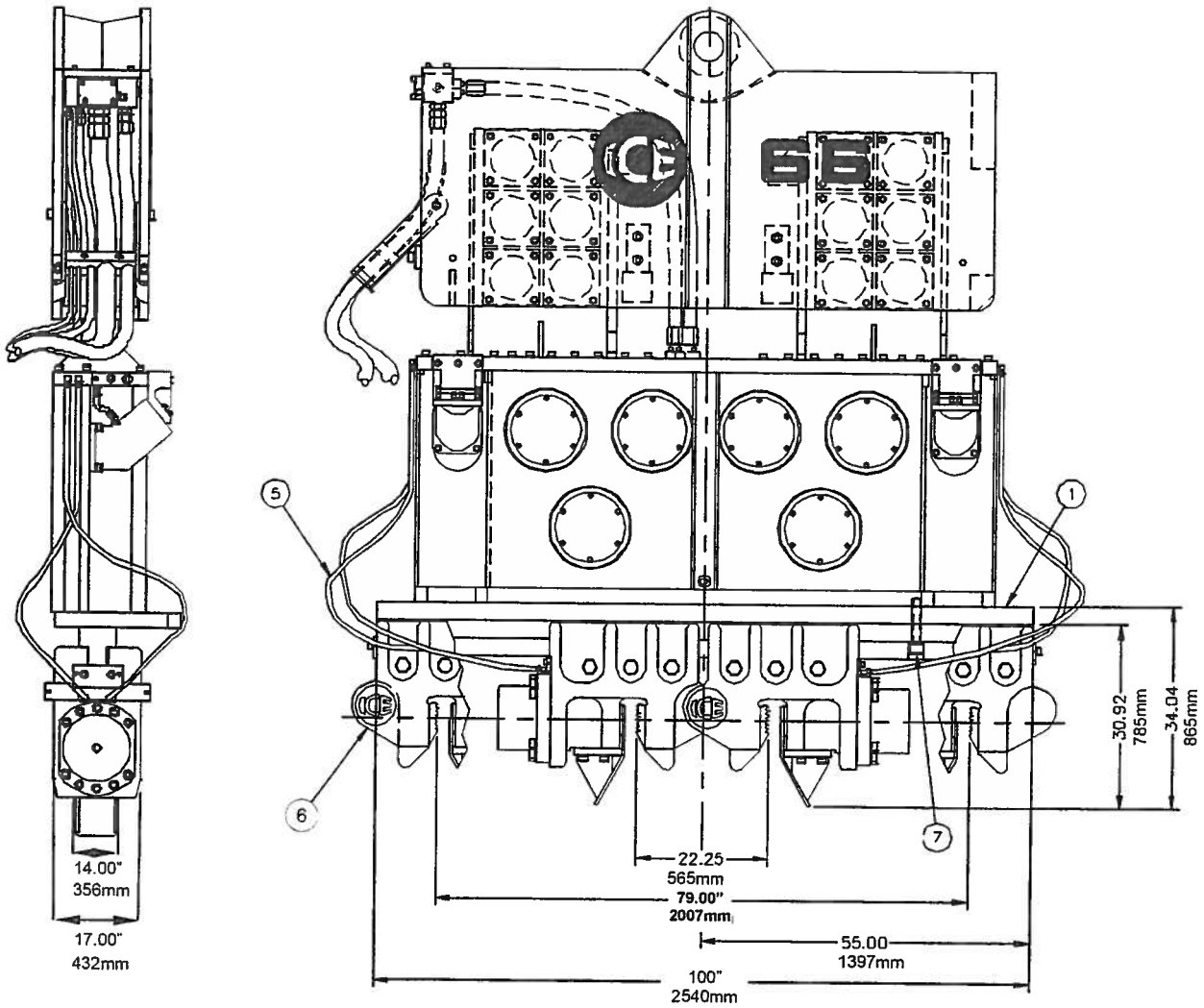
Assembly No. 840017



Item	Part Number	Qty	Part Description
1	730521	1	6 1/2' Caisson beam
2	120011	2	Clamp stop
3	400069	4	0.75-10UNC X 2.00 SHCS
4	1X32	4	0.75 Lock washer
5	100111	4	HOSE038R02J006J006L0875S
6	800057	2	100BH Caisson clamp
	830236	2	142BH Caisson clamp
7	120007	15	1.50-6UNC X 8.00 SHCS

6.5' Caisson Beam with 142BH Clamps

Weight with two Model 142BH clamps - 4695 lbs, 2130 kg



Minimum ID	22.25"	565 mm
Maximum OD cylinders in	79.00"	2007 mm
Maximum ID cylinders out	73.50"	1790 mm

Item	Part Number	Qty	Description
1	730521	1	6.5' Caisson Beam
2	120011	2	Clamp Stop
3	400069	4	0.75-10UNC X 2.00 SHCS
4	100069	4	0.75 Lock Washer
5	130175	4	HOSE038R02J006J006L1150-C
6	800410	2	142BH Caisson Clamp
7	120007	15	1.50-6UNC X 8.00 SHCS

10' CAISSON BEAM

Assembly No. 800411

Used on Model 84C, 110C & V360 (Also 1412, 1412B, & V330)

Used with Models 122, 122B, 122BH, 142, 142B & 142BH Caisson clamps

Manufactured 1980 to present

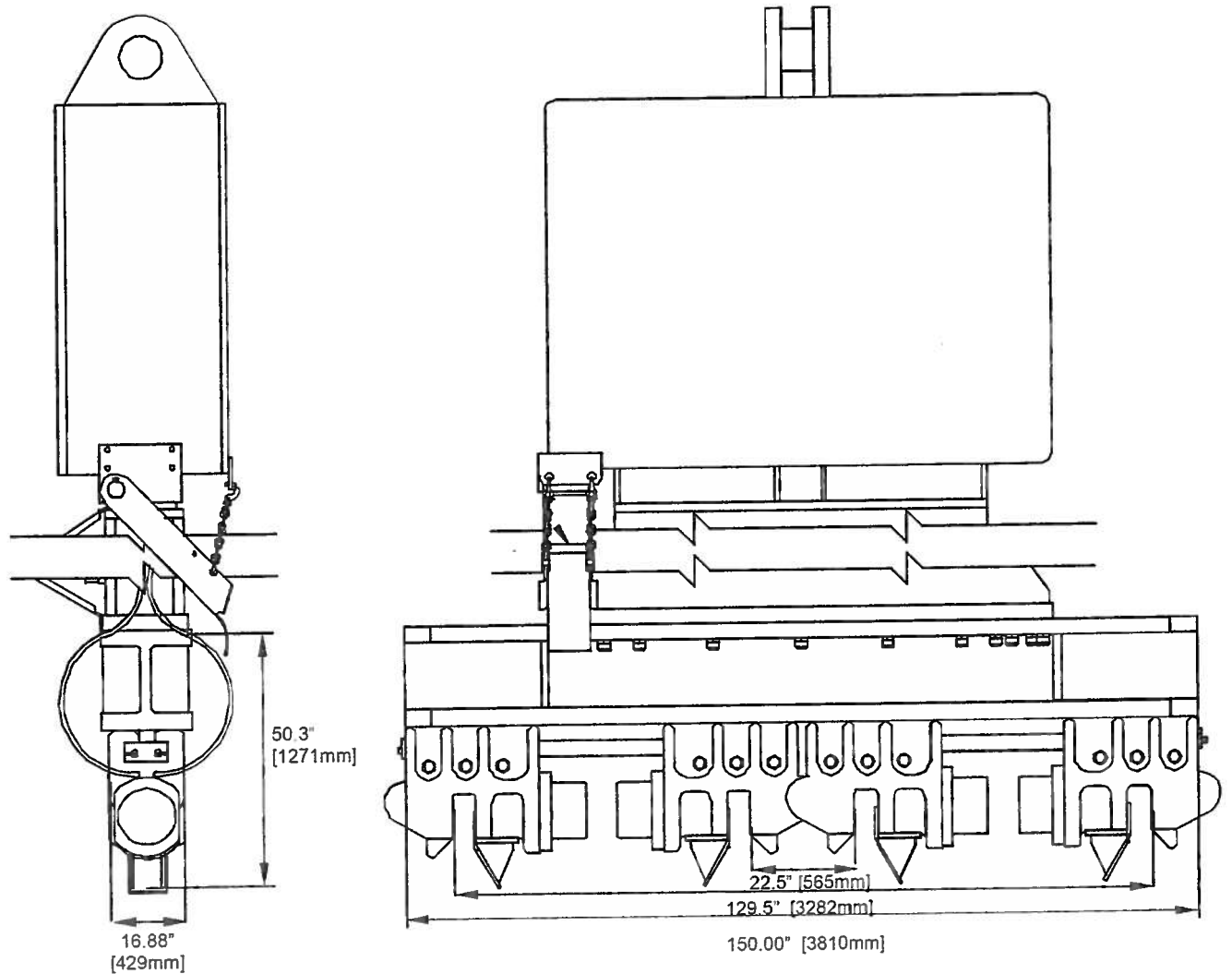
Serial numbers

Weight for beam only - 5600 lbs, 2540 kg

Weight for Beam, 10' T-Bar, & Bolts—6690 lbs, 3034 kg

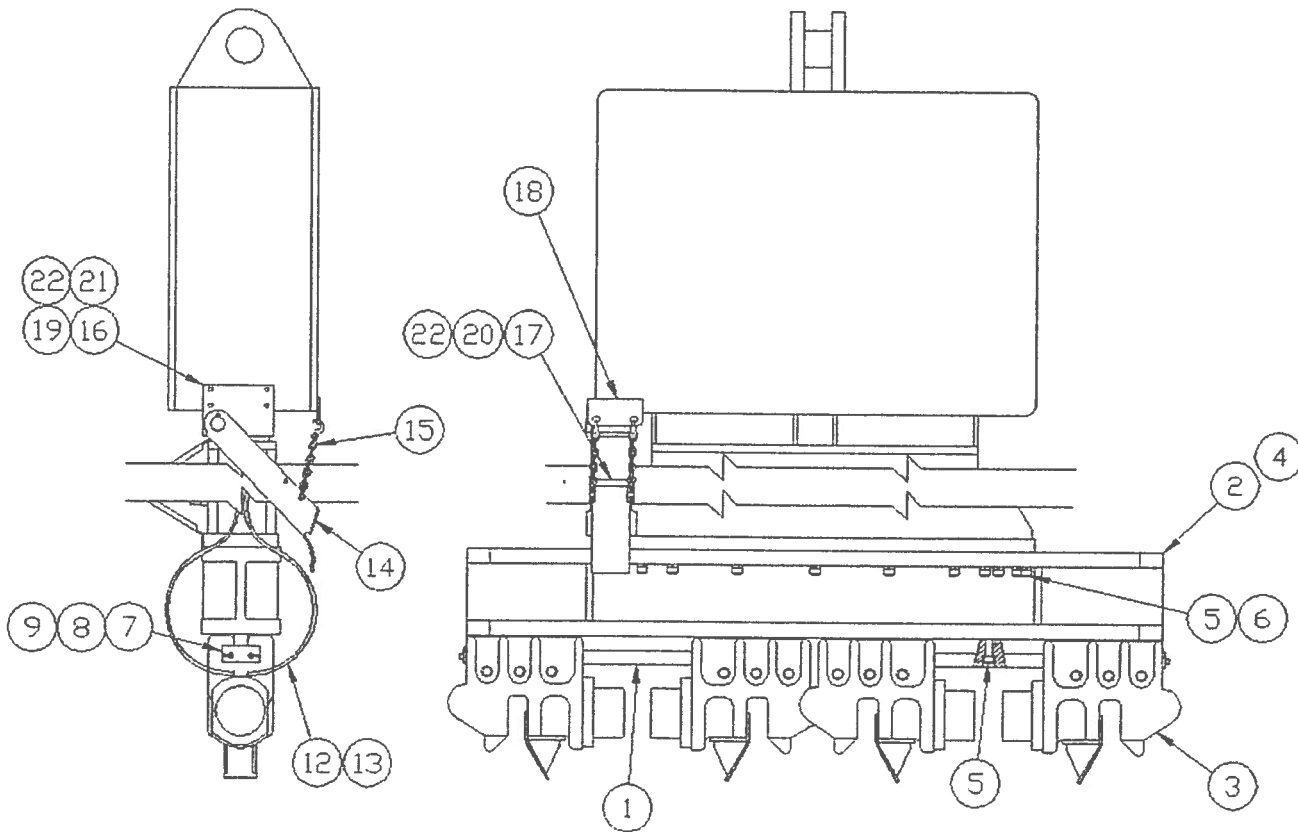
Weight with two Model 142BH clamps, T-bar, and bolts - 10,242 lbs, 4546 kg

Serial number location - Stamped on both sides of web of beam



Minimum ID	22.25"	565 mm
Maximum OD cylinders in	129.50"	3282 mm
Maximum ID cylinders out	121.625"	3089 mm

10' CAISSON BEAM



Item	Part Number	Qty	Part Description
1	140647	1	10' T-bar
	730600	2	T-bar
2	800403	1	10' Caisson beam
3	830236	2	Caisson clamp
5	100193	63	1.5-6UNC X 5.0 SHCS
6	100195	22	1.5 Lock washer extra heavy
7	120011	2	Clamp stop
8	400069	4	0.75-10UNC x 2.0 SHCS
9	100069	4	0.75 Lock washer medium
4	100298	1	ICE green paint (gallon)
12	120411	4	HOSE038R02J006J006L1440C
13	100230	4	FITT2P-06M000000-000T001
14	140561	1	Hose chute
15	810287	2	Chain assembly
16	140555	1	Chute bracket
17	140557	1	Guide rod
18	140559	1	Chain anchor
19	300375	1	0.312 x 5 LG Cotter pin
20	100575	2	0.625-11 x 1.25 SHCS
21	100005	4	0.625-11UNC X 1.75 SHCS LOC WELL
22	100007	6	0.625 Lock washer medium

12' CAISSON BEAM

Assembly No. 840066

Used on Models 416L, 44, 44B, 66 & 66C vibrators

Used with Models 80, 80B, 80BH & 100BH Caisson clamps

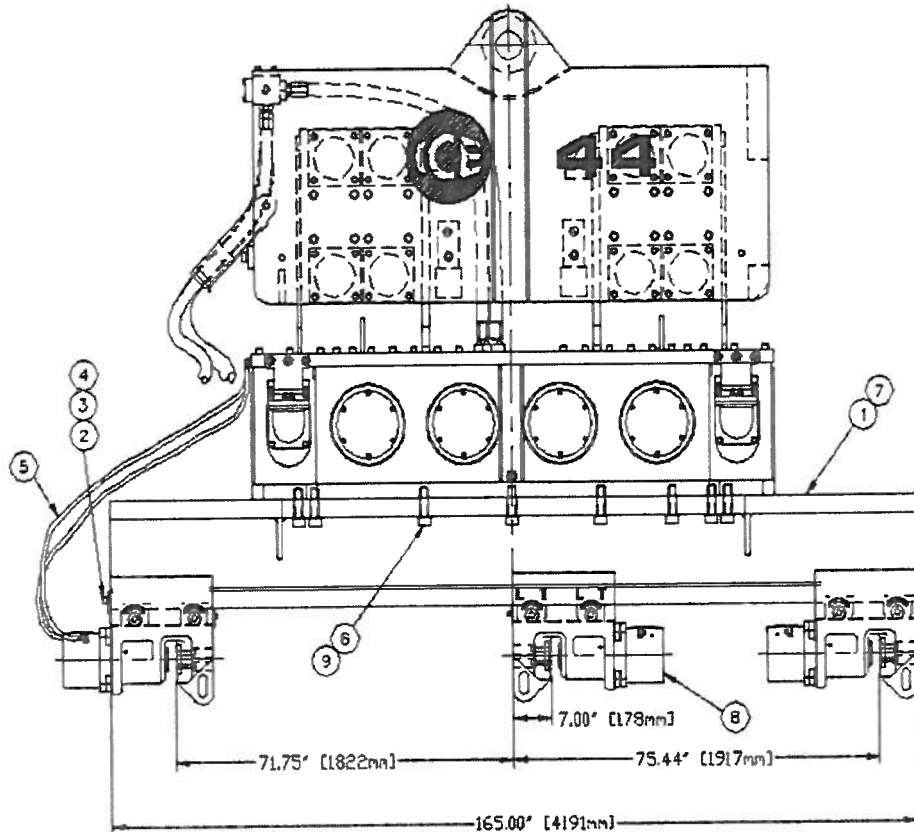
Manufactured 1980-Dec 05 as 11' beam, Jan 06 to present as 12' beam

Serial numbers – 11' B61757-B61766, 12' B61767 and up

Weight for beam only - 4255 lbs, 1930 kg

Weight with two Model 100BH clamps - 6185 lbs, 2805 kg

Serial number location - Stamped on both side and end of beam.



840066

Minimum ID	14.125"	358 mm
Maximum OD with cylinders in	150.88"	3834 mm
Maximum ID with cylinders out	143.50"	3644 mm

Item	Part Number	Qty	Part Description
1	720130	1	12' Caisson beam
2	120011	2	Clamp stop
3	400069	4	0.75-10UNC X 2.00 SHCS
4	1X32	4	0.75 Lock washer
5	120009	4	Hose (.38 X 96)
6	1X8502	14	1.50 Lock washer extra heavy
7	100298	0.5	ICE green paint (gallon)
8	830057	2	Model 100BH
9	1X8548	14	1.50-6UNC X 5.00 SHCS

12' CAISSON BEAM

Assembly No. 840066

Used on Models 416L, 44 & 44B & 66 vibrators

Used with Models 80, 80B, 80BH & 100BH Caisson clamps

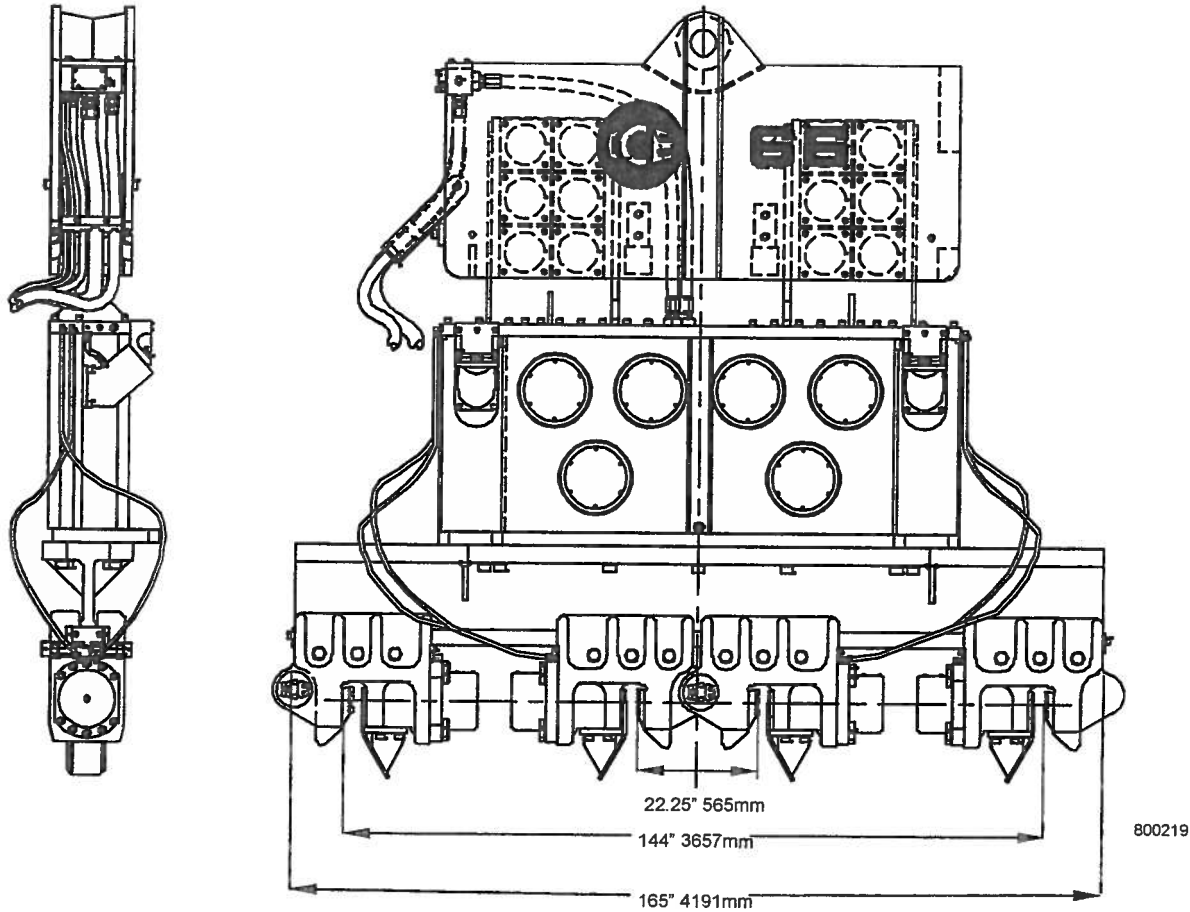
Manufactured 1980-Dec 05 as 11' beam, Jan 06 to present as 12' beam

Serial numbers – 11' B61757-B61766, 12' B61767 and up

Weight for beam only - 4500 lbs, 2040 kg

Weight for beam and bolts 4556 lbs, 2067 kg.

Weight with two Model 142BH clamps– 8110 lbs, 3680 kg



Minimum ID	22.25"	565 mm
Maximum OD with cylinders in	144"	3657 mm
Maximum ID with cylinders out	139"	3530 mm

Item	Part Number	Qty	Part Description
1	720130	1	12' Caisson beam
2	120011	2	Clamp stop
3	400069	4	0.75-10UNC X 2.00 SHCS
4	1X32	4	0.75 Lock washer
5	120009	4	Hose (.38 X 96)
6	1X8502	14	1.50 Lock washer extra heavy
7	1X8548	14	1.50-6UNC X 5.00 SHCS
8	830236	2	142BH Clamp

7' QUAD PLATE WITH 100BH CAISSON CLAMPS

Part number 720199

Used on Models 66C, 84C, & 110C vibrators

Used with four H-bars (720183)

Used with four Models 100BH clamps

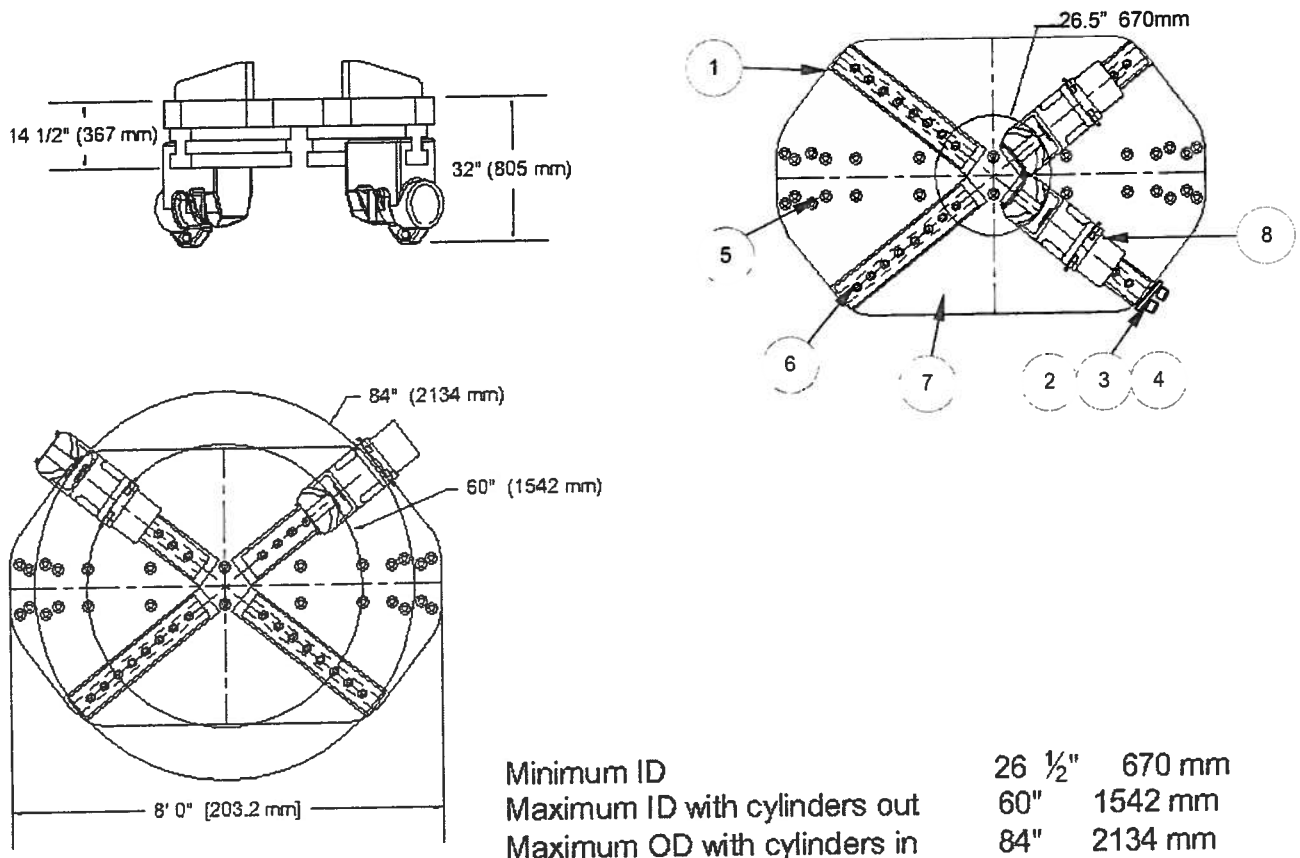
Manufactured April 2009 - present

Weight for plate with mounting bolts – 9300 lbs, 4218 kg

Weight with four H-bars(720183) and mounting bolts– 11,750 lbs, 5330kg

Total weight with 4 @ 100BH (830057) caisson clamps — 15,610 lbs, 7081 kg

Serial number location - Stamped on both side and face of plate



Item	Part Number	Qty	Part Description
1	720183	4	4' H-bar
2	120011	8	Clamp stop
3	400069	16	0.75-10UNC X 2.00 SHCS
4	1X32	16	0.75 Lock washer
5	1X8548	28	1.50-6UNC X 5.00SHCS
6	120007	24	1.50-6UNC X 8.00 SHCS
7	720199	1	Quad clamp plate
8	830057	4	100BH Clamps

7' QUAD PLATE WITH 142BH CAISSON CLAMPS

Part No. 720199

Used on Models 66C, 84C, & 110C vibrators

Used with four H-Bars (720183)

Used with four Models 100BH clamps

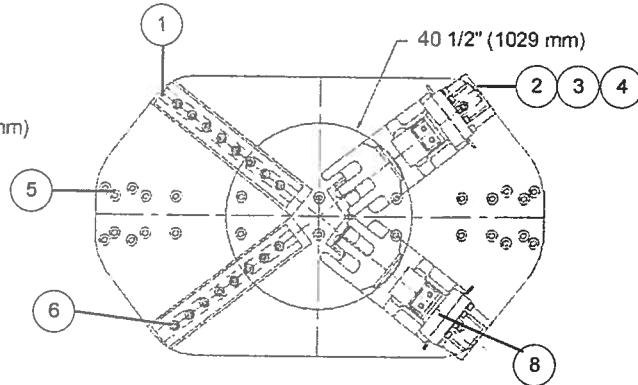
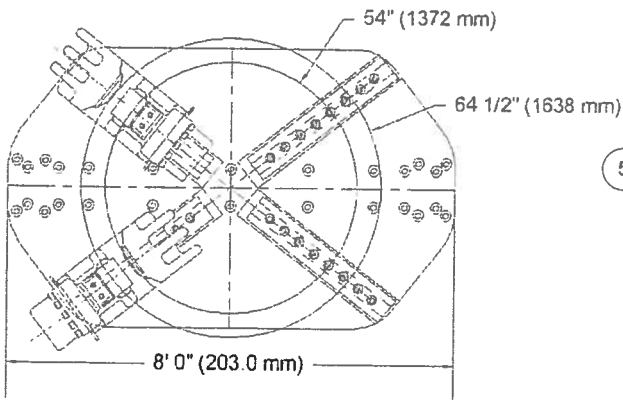
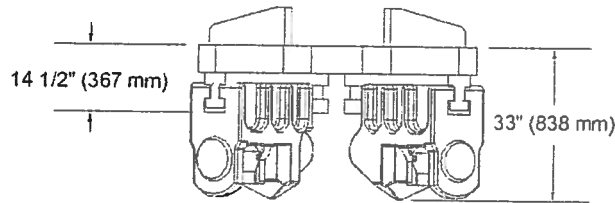
Manufactured April 2009-present

Weight for plate with mounting bolts – 9300lbs, 4218 kg

Weight with four H-bars(720183) and mounting bolts– 11,750 lbs, 5330 kg.

Total weight with 4 @ 142BH clamps (830236) – 18,854 lbs, 8552kg.

Serial number location - Stamped on both side and face of plate



Minimum ID 40 1/2" 1029 mm
 Maximum ID with cylinders out 54" 1372 mm
 Maximum OD with cylinders in 64" 1626 mm

Item	Part Number	Qty	Part Description
1	720183	4	4' H-bar
2	120011	8	Clamp stop
3	400069	16	0.75-10UNC X 2.00 SHCS
4	1X32	16	0.75 Lock washer
5	1X8548	28	1.50-6UNC X 5.00SHCS
6	120007	24	1.50-6UNC X 8.00 SHCS
7	720199	1	Quad clamp plate
8	830236	4	142BH Clamps

QUAD CAISSON BEAM FOR SINGLE VIBRATOR

Assembly No. 830079

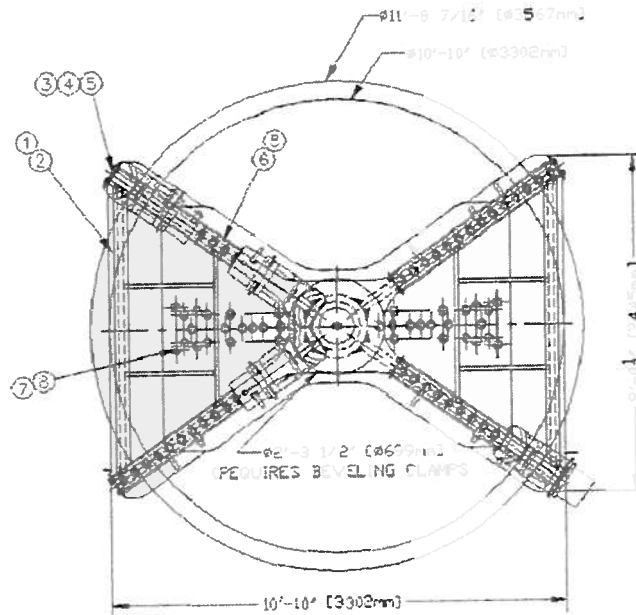
Used on Models 110C, 1412, 1412B, V330 & V360 vibrators

Used with Models 122, 122B, 122BH, 142B & 142BH Caisson clamps

Weight for beam only - 17,200 lbs, 7802 kg

Weight with four Model 142BH clamps, T-bars, & bolts - 24304 lbs, 11,024 kg

Serial number location - Stamped on both sides of web of beam



Minimum ID	27½"	699 mm
Maximum ID with cylinders out	10'10"	3302 mm
Maximum OD with cylinders in	11'8 7/16"	3567 mm

Item	Part Number	Qty	Part Description
1	730776	1	Quad beam - Single vibrator
2	100298	5	ICE Green paint (gallon)
3	120011	8	Clamp stop
4	400069	16	0.75-10UNC X 2.00 SHCS
5	1X32	16	0.75 Lock washer
6 *	730600	4	4' T-Bar (uses 56 @ 1X8548 SHCS)
	720183	4	4' H-Bar (uses 56 @ 120007 SHCS)
7	1X8502	24	1.50 Lock washer extra heavy
8	1X8548	24	1.50-6UNC X 5.00 SHCS
	140905	8	HOSE038R02J006J006L0835C
	400203	8	FITT2S-06M06P000-000H001
	400227	4	FITT2L-06M06P000-0000001
	400411	8	FITT2L-06J06M000-000H001
	720124	2	6-Port manifold
	720129	4	HOSE038R02J006J006L10000

QUAD CAISSON BEAM FOR TANDEM VIBRATORS

Assembly No. 830239

Used on Models 110C, 1412, 1412B, V330 & V360 vibrators

Used with Models 122, 122B, 122BH, 142B & 142BH Caisson clamps

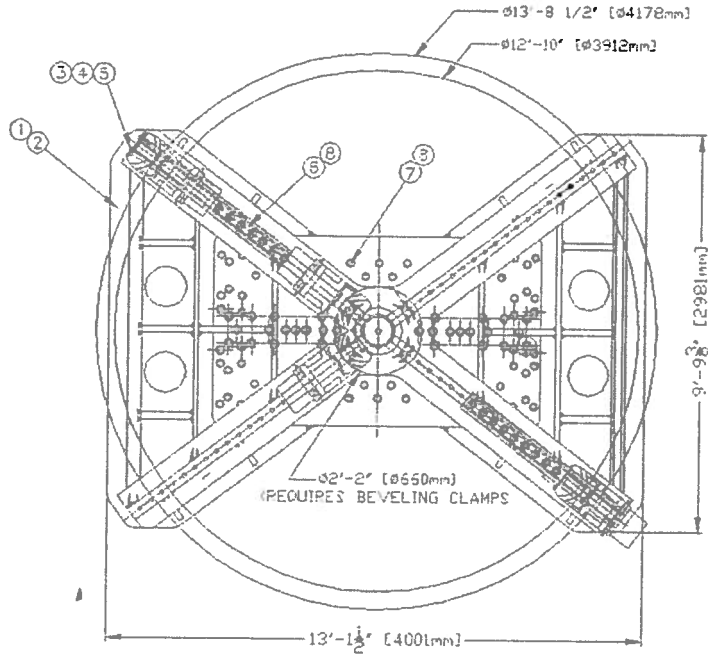
Manufactured

Serial numbers

Weight for beam only - 41,100 lbs, 1864 kg

Weight with four Model 142BH clamps, T-bars, & bolts - 50,170 lbs, 22,757 kg

Serial number location - Stamped on both sides of web of beam



Minimum ID	26"	660 mm
Maximum ID with cylinders out	12'10"	3912 mm
Maximum OD with cylinders in	13'8 1/2 "	4178 mm

Item	Part Number	Qty	Part Description
1	730575	1	Quad beam - Tandem vibrators
2	100298	5	ICE green paint (gallon)
3	120011	8	Clamp Stop
4	400069	16	0.75-10UNC X 2.00 SHCS
5	1X32	16	0.75 Lock washer
6	730600	4	4' T-Bar
7	1X8502	40	1.50 Lock washer extra heavy
8	1X8548	40	1.50-6UNC X 5.00 SHCS
	140905	8	HOSE038R02J006J006L0835C
	400203	8	FITT2S-06M06P000-000H001
	400227	4	FITT2L-06M06P000-0000001
	400411	8	FITT2L-06J06M000-000H001
	720124	2	6-Port manifold
	720129	4	HOSE038R02J006J006L10000

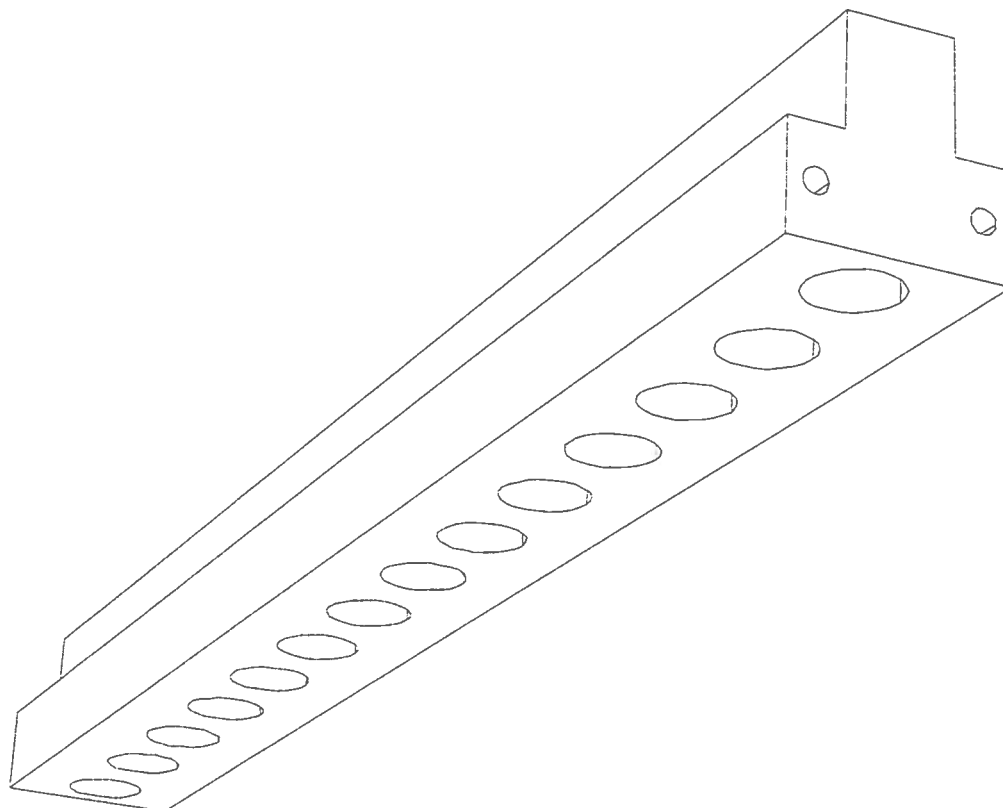
T-Bars for Model Quad Caisson Beams

Part No. 730600

Used on Models 66, 66C, 77C, 84C, 110C with Quad Beams

Weight for beam only - 325 lbs, 148 kg

Weight for beam and bolts - 375 lbs, 170 kg



Length	56"	1422 mm
Height	5 7/8 "	152 mm
width	5 7/8"	152 mm

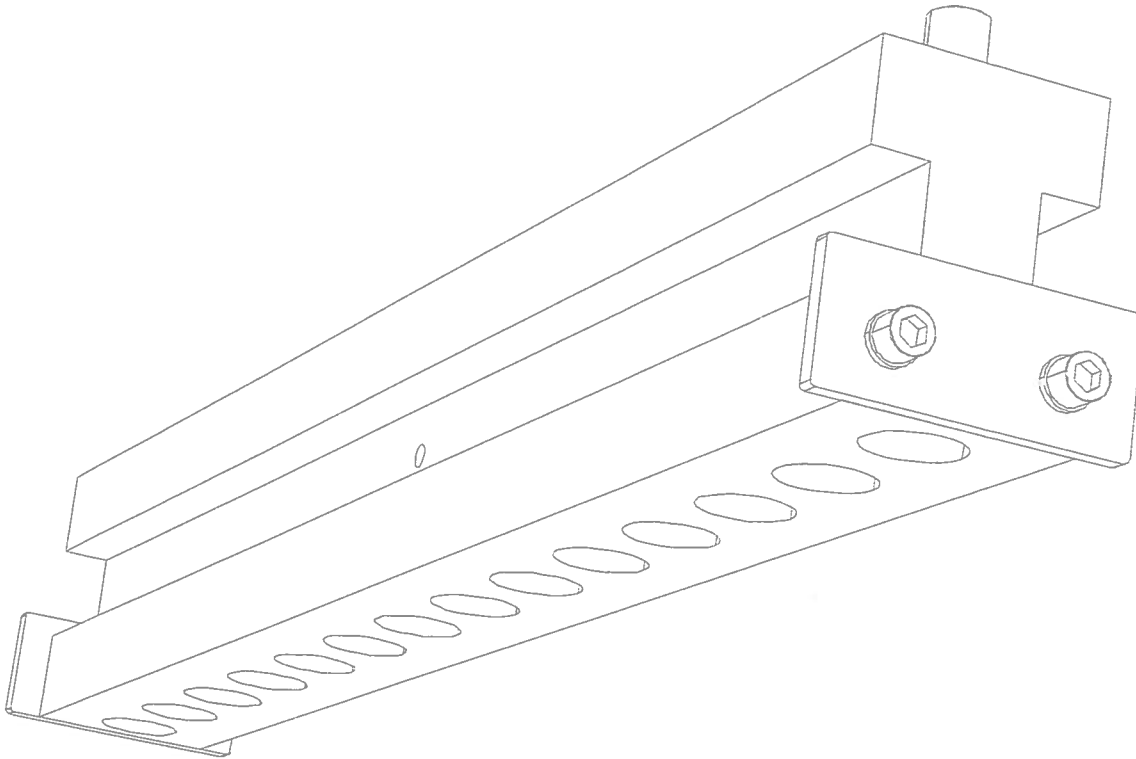
H-Bars for Model 125C Vibrator, Quad Caisson Plate

Part No. 720183 H-bar

Used on Models 125 & 125C vibrators, and 66C, 84C, & 110C Vibrators with Quad Plates

Weight for beam only - 553 lbs, 251 kg

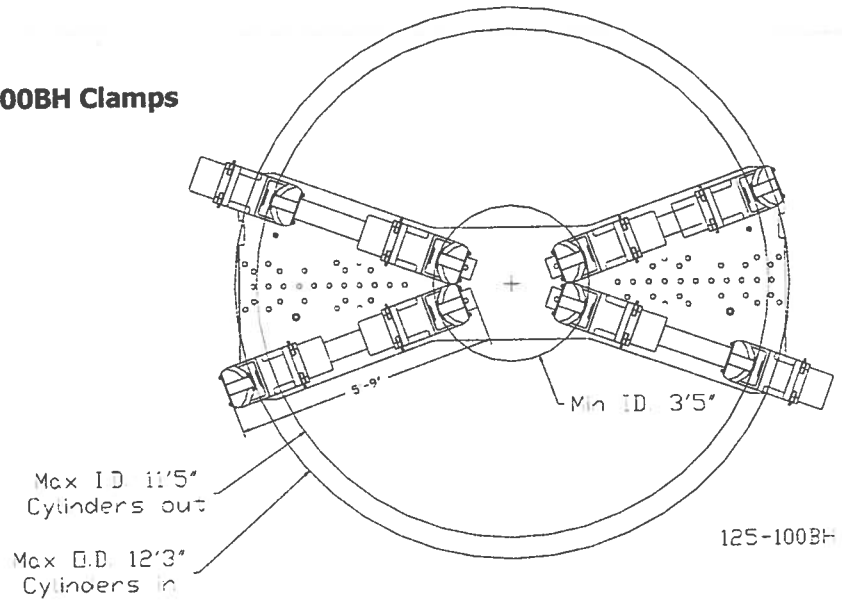
Weight for beam with bolts - 625 lbs, 283 kg



Length	56"	1422 mm
Height	8 1/2"	216 mm
Width	5 7/8"	152 mm

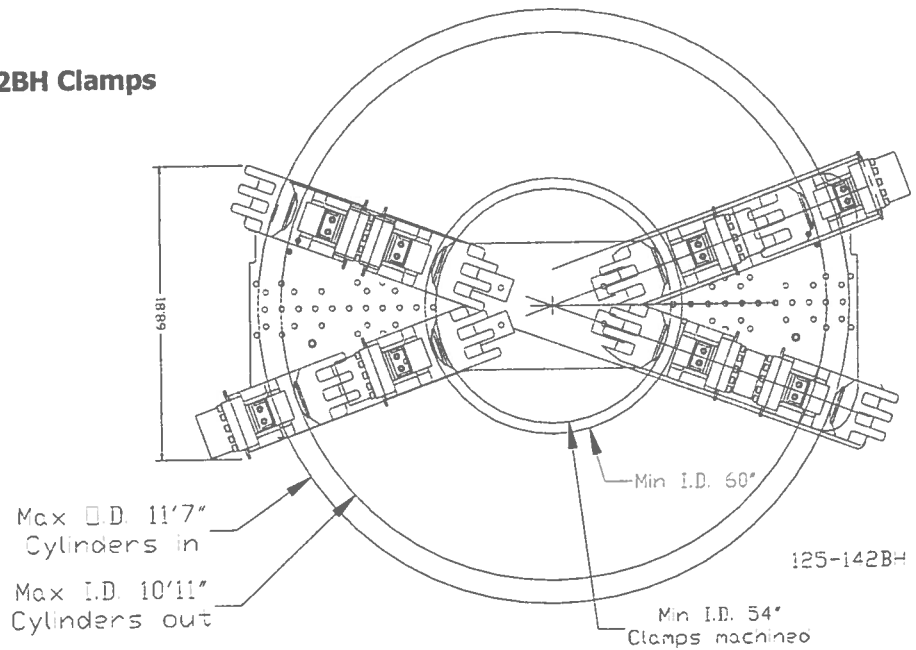
MODEL 125C VIBRATOR WITH CAISSON CLAMPS

With four Model 100BH Clamps



Minimum ID	3' 5"	965 mm
Maximum OD with cylinders in	11'5"	3480 mm
Maximum ID with cylinders out	12'3"	3734 mm

With four Model 142BH Clamps



Minimum ID	60"	1524 mm
Maximum OD with cylinders in	11'7"	3531 mm
Maximum ID with cylinders out	10'10"	3302 mm

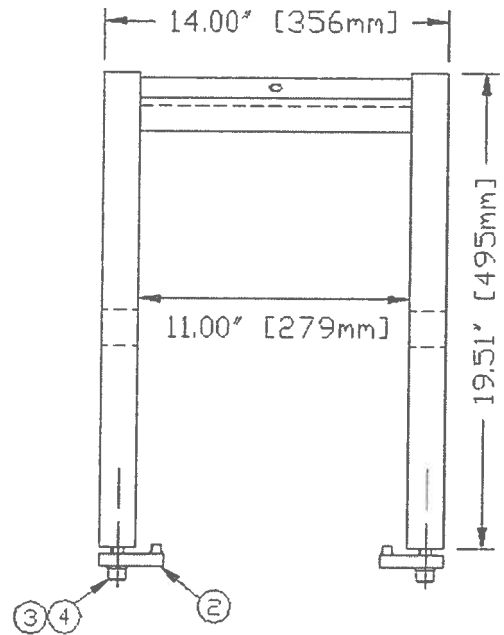
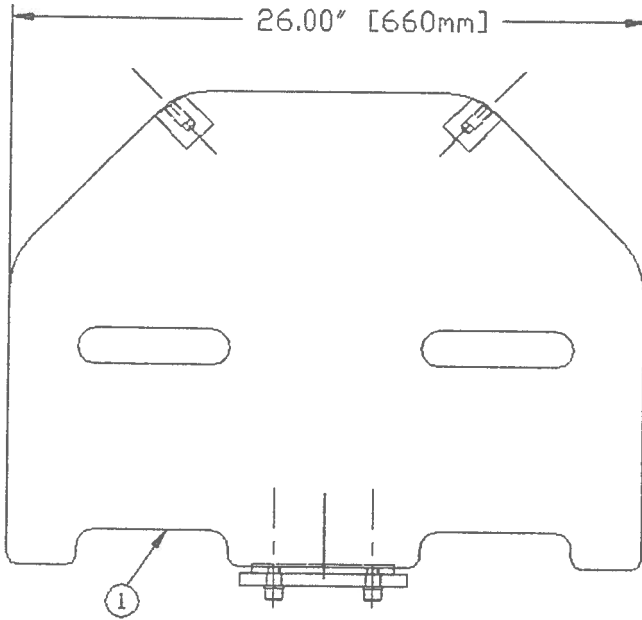
BIAS WEIGHTS FOR MODEL 2 VIBRATOR

Assembly No. 830033

Used on Model 2 vibrator (also Model 23)

Weight - 400 lbs, 181 kg

Serial number location – No serial number



Item	Part Number	Qty	Part Description
1	730536	1	Bias weight
2	730670	2	Bias weight clip
3	100163	4	0.50-13UNC X 1.75 SHCS
4	1X30	4	0.50 Lock washer
	400277-7	1	7" ICE Logo
	100298	0.5	ICE Green paint (gallon)

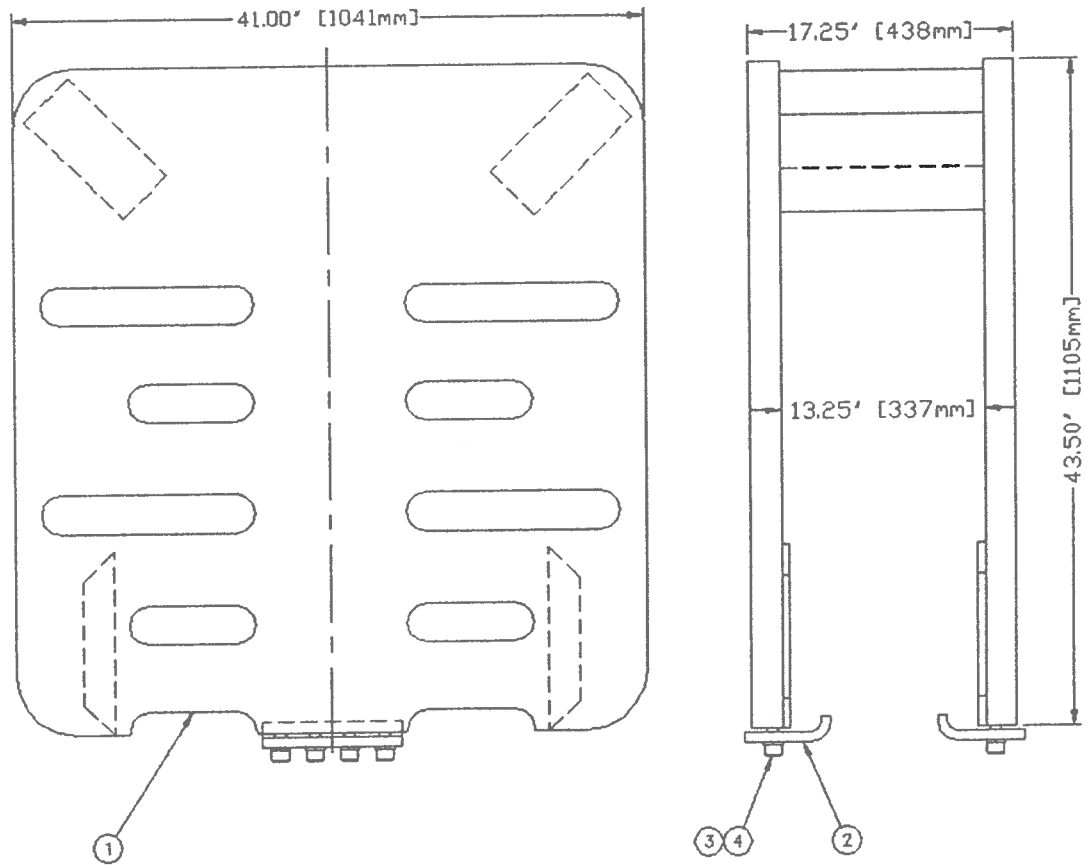
BIAS WEIGHTS FOR MODELS 216, 216B, 11& 14 VIBRATORS

Assembly No. 800511

Used on Models 216, 216B, 11, & 14 vibrators (also 11-23 & 14-23)

Weight - 2045 lbs, 928 kg

Serial number location - No serial number



800511

Item	Part Number	Qty	Part Description
1	130877	1	Bias weight
2	130879	2	Bias weight clip
3	100067	8	0.75-10UNC X 2.50 SHCS
4	1X32	8	0.75 Spring lock washer
	400277	1	16" ICE Logo
	100298	0.5	ICE Green paint (gallon)

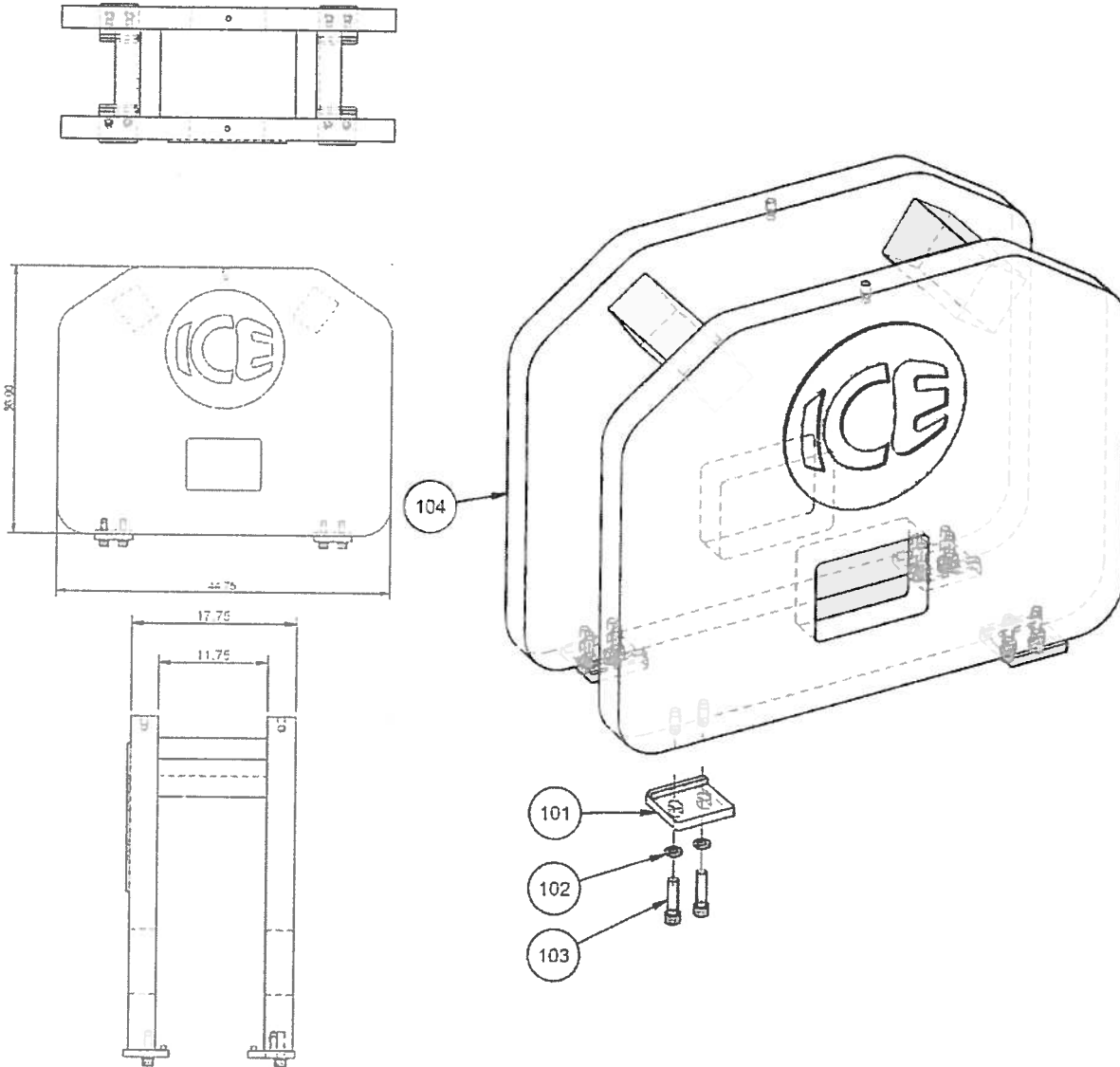
BIAS WEIGHTS FOR MODELS 14C VIBRATORS

Assembly No. 840408

Used on Model 14C vibrator

Weight - 2653 lbs, 1203 kg

Serial number location - No serial number



Item	Part Number	Qty	Part Description
101	110326	4	Clip
102	1X32	8	0.75 Spring Lock Washer
103	1X4871	8	0.75-10UNC X 3.00 SHCS
104	770525	1	14C Bias Weight

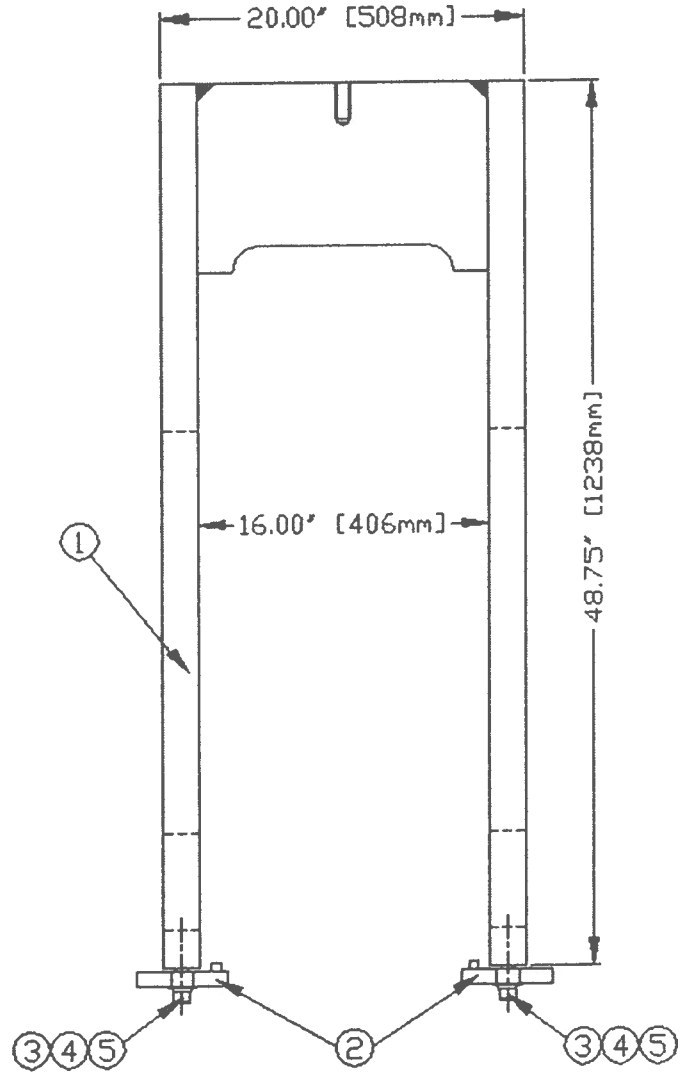
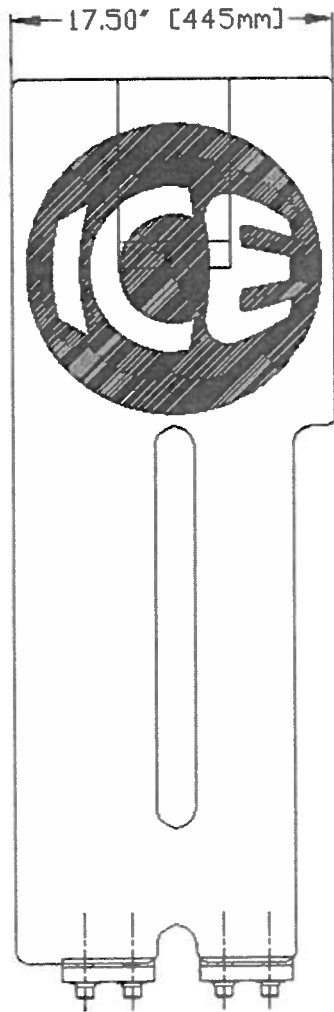
BIAS WEIGHTS FOR MODELS 22 & 28B VIBRATORS

Assembly No. 830014

Used on Models 22, 28B, & 28C vibrators

Weight - 2400 lbs, 1088 kg

Serial number location - No serial number



Item	Part Number	Qty	Part Description
1	730429	2	Bias weight
2	110326	8	Clip
3	1X4871	16	0.75-10UNC X 3.00 SHCS
4	1X32	16	0.75 Lock washer
5	100298	0.5	ICE Green paint (gallon)

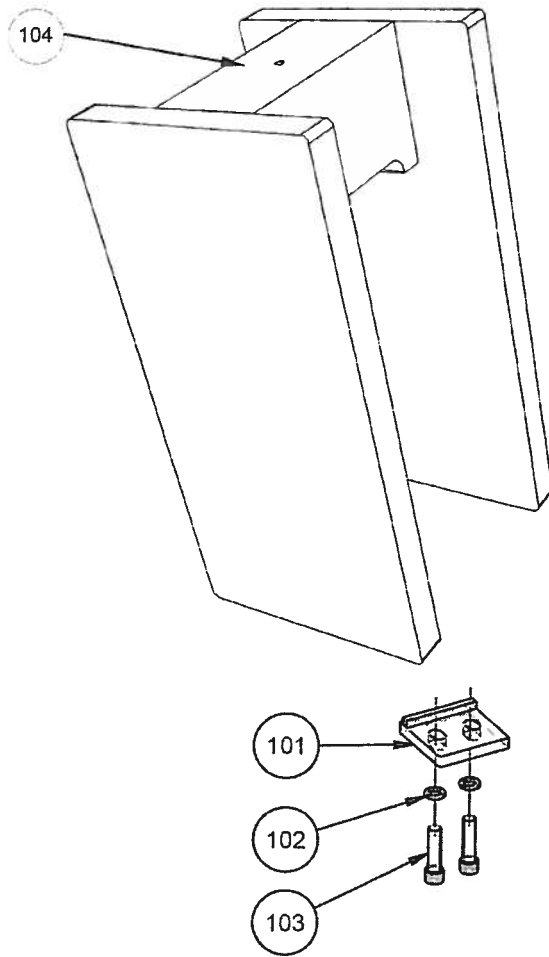
BIAS WEIGHTS FOR MODELS 28C VIBRATORS

Assembly No. 790064

Used on Models 28C vibrators

Weight -1484 lbs, 673 kg each weight- 2 required per set.

Serial number location - No serial number



Item	Part Number	Qty	Part Description
101	110326	4	Bias Weight Cip
102	1X32	16	0.75 Lock Washer
103	1X4871	16	0.75-10UNC X 3.00 SHCS
104	790064	2	Bias Weight

BIAS WEIGHTS FOR MODEL 416L VIBRATOR

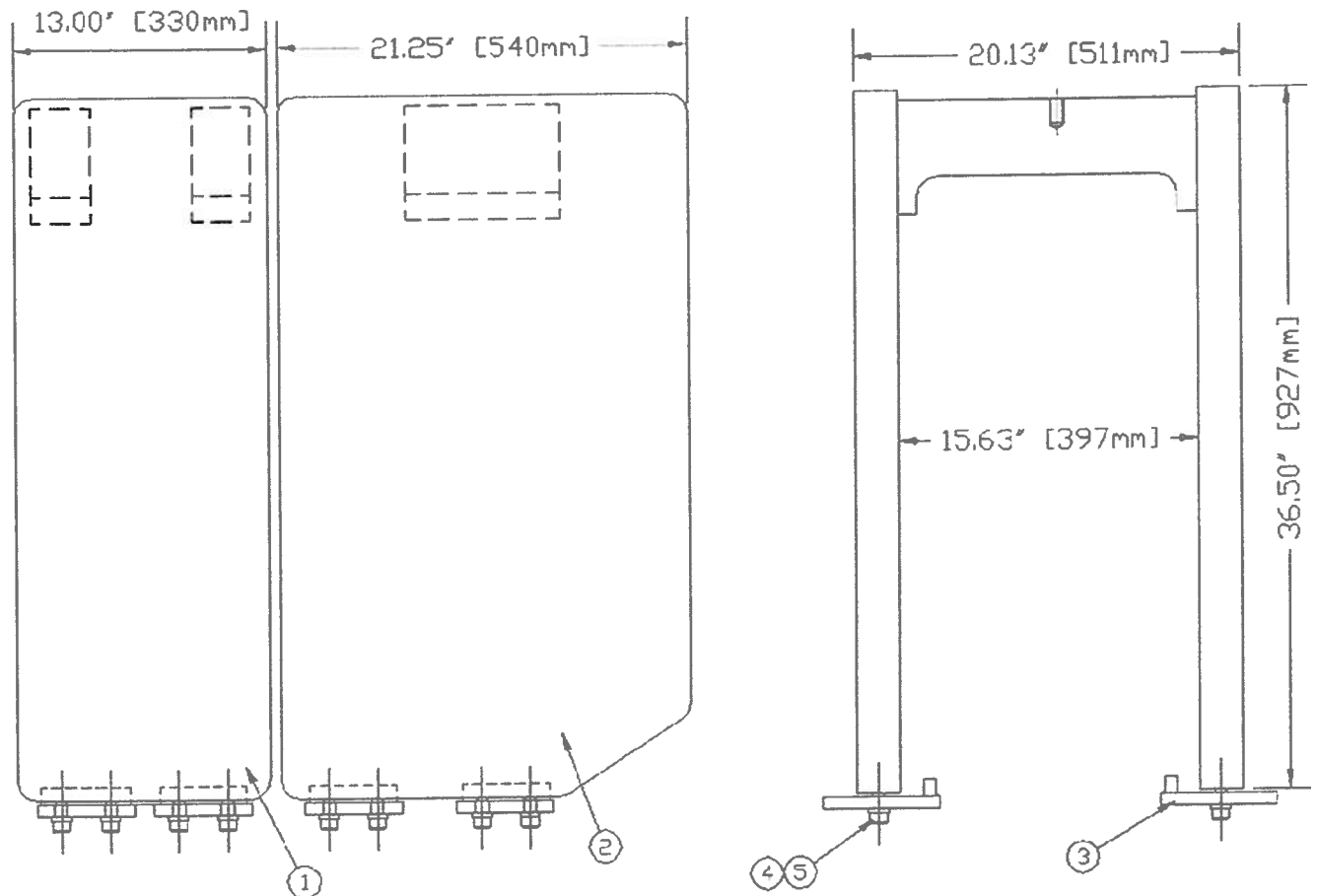
Assembly No. 840006

Used on Model 416L vibrators (also 28-35)

Manufactured

Weight - 3750 lbs, 1701 kg

Serial number location - No serial number



Item	Part Number	Qty	Part Description
1	730356	2	416L Large bias weight
2	400277	2	16" ICE Logo
3	100440	8	Mounting block
4	400157	32	0.625-11UNC X 2.75 SHCS
5	730369	2	416L Small bias weight
	1X31	32	0.625 Spring lock washer
	100298	0.5	ICE Green paint (gallon)

BIAS WEIGHTS FOR MODELS 44 & 44B66 & 66C, 84C, 110C VIBRATORS

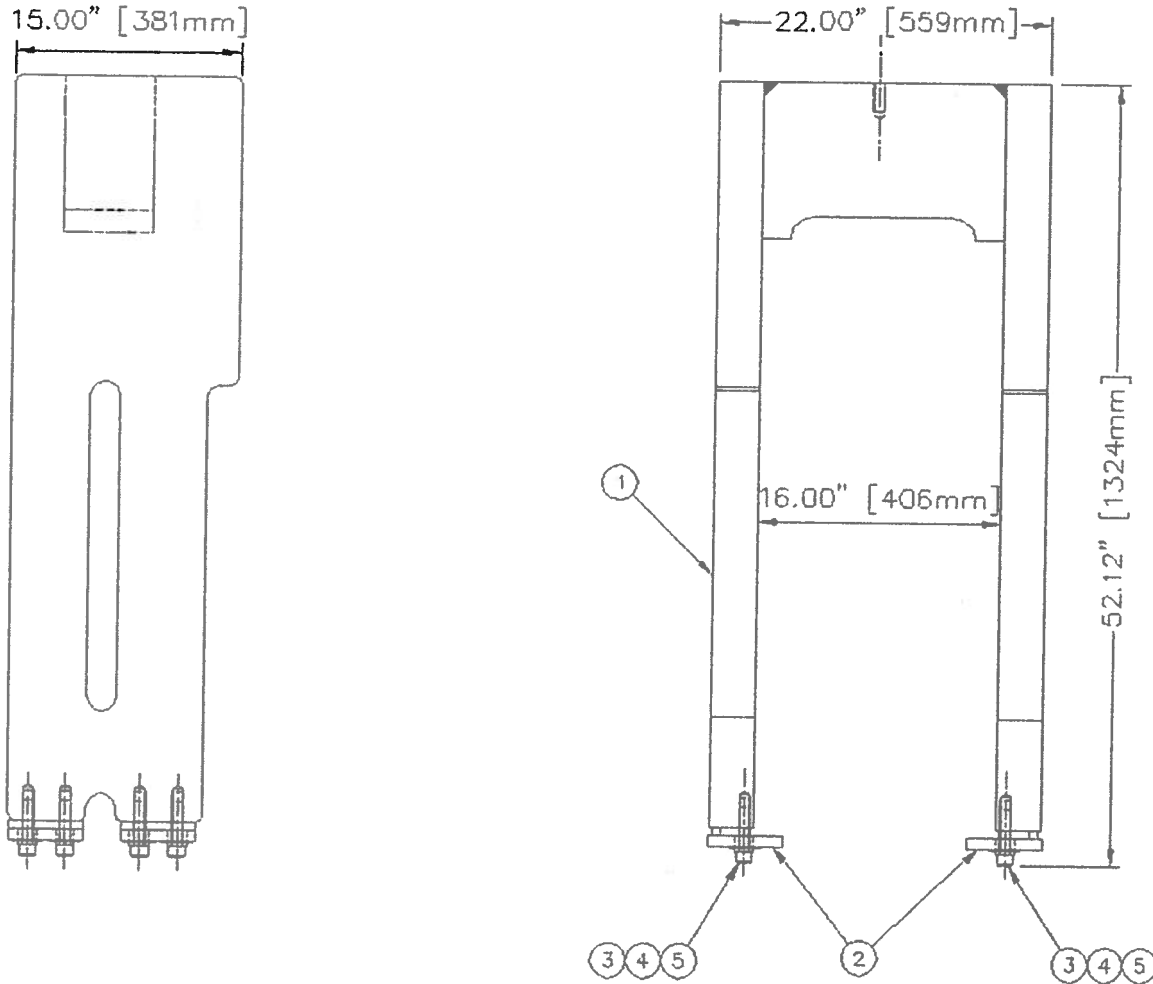
Assembly No. 800429

Used on Models 44 & 44B, 66 & 66C, 84C, 110C vibrators.

Manufactured

Weight - 1375 lbs, 624 kg. Two required per set; two sets may be used.

Serial number location - No serial number



Item	Part Number	Qty	Part Description
1	110338	2	Bias weight
2	110326	8	Clip
3	1X32	16	0.75 Spring lock washer
4	1X4871	16	0.75-10UNC X 3.00 SHCS
5	100298	0.5	ICE Green paint (gallon)

90° TURNING PLATE

Assembly # 800049

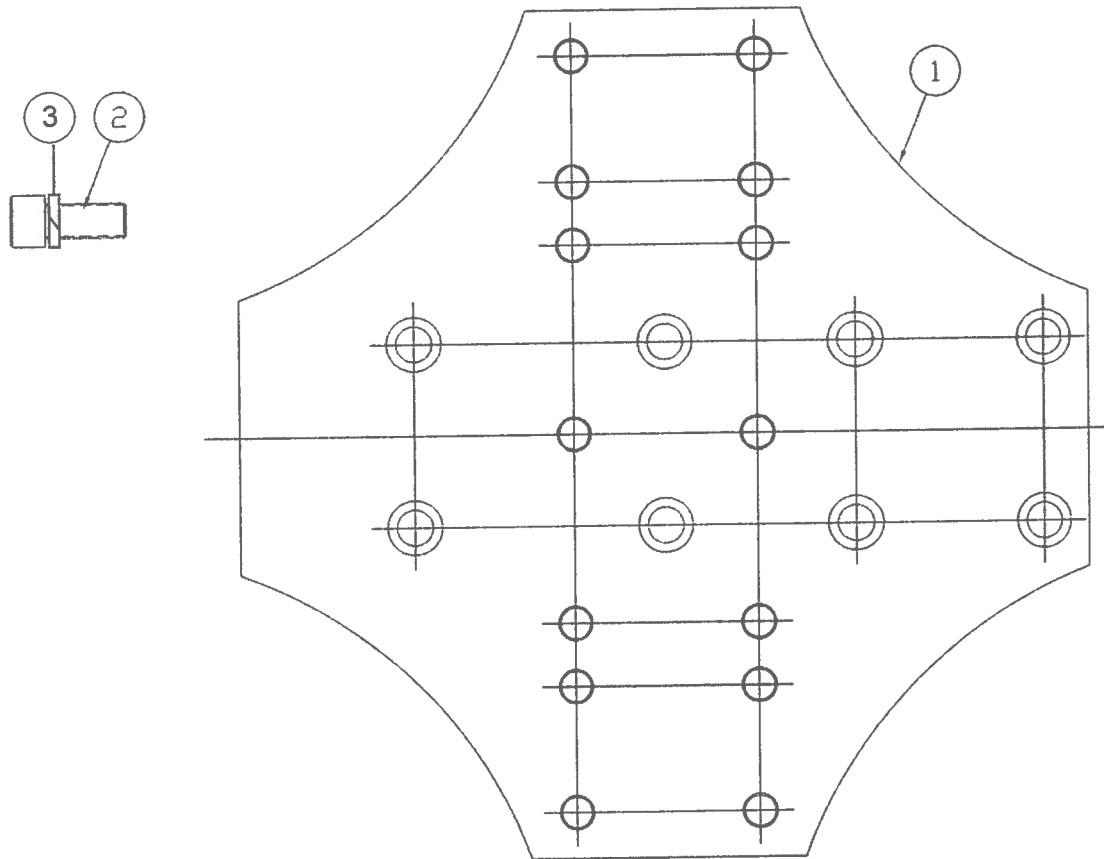
Used on Models 416L, 22, 28B, 28C, 44, 44B, 66, 66C vibrators (also 612, 815, 28-35)

Accepts Models 90, 125, 126, 126B, 126C, 127, 127B, 140C & 196C Clamps

Manufactured 2000 to present

Serial numbers T100101 and up

Weight - 1075 lbs, 488 kg



Length	37"	740 mm
Width	37"	740 mm
End Width	12"	305 mm
Thickness	4"	102 mm

Item	Part Number	Qty	Part Description
1	120083	1	90° Clamp plate
2	120077	8	1.50-6UNC X 3.50 SHCS
3	130219	8	High Collar Lock Washer
	100298	0.3	ICE Green paint (gallon)

10' CLAMP EXTENSION

Assembly # 800423

Used on Models 416L, 44, 44B, 66, & 66C vibrators (also 612, 815, 28-35)

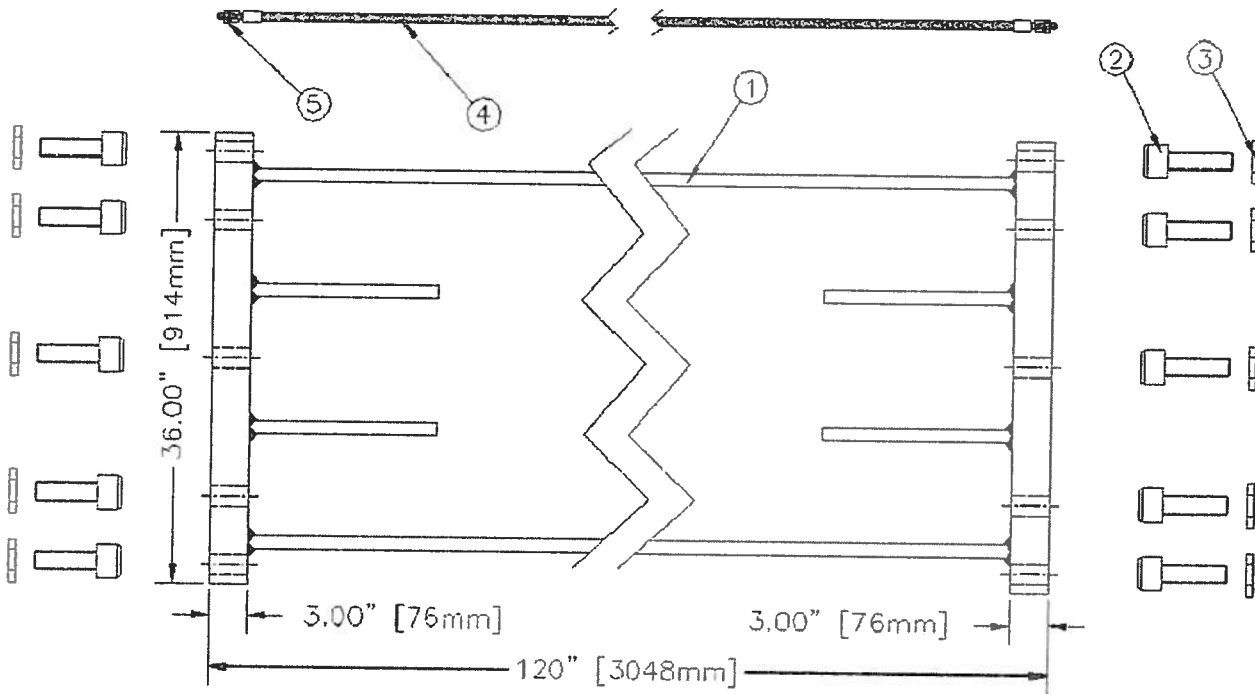
Accepts Models 90, 125, 126, 126B, 126C, 127, 127B, 140C & 196C Clamps

Manufactured Oct 2003 to present

Serial numbers E50835 and up

Weight - 2150 lbs, 975 kg

Serial number location - end and face of flange



Item	Part Number	Qty	Part Description
1	810237	1	10' Clamp extension frame
2	1X8548	10	1.50-6UNC X 5.00 SHCS
3	1X8502	10	1.50 Lock washer extra heavy
4	120193	2	Hose (.38 X 132)
5	120081	2	FITT2S-06M06M000-000H001
	100298	1	ICE Green paint (gallon)

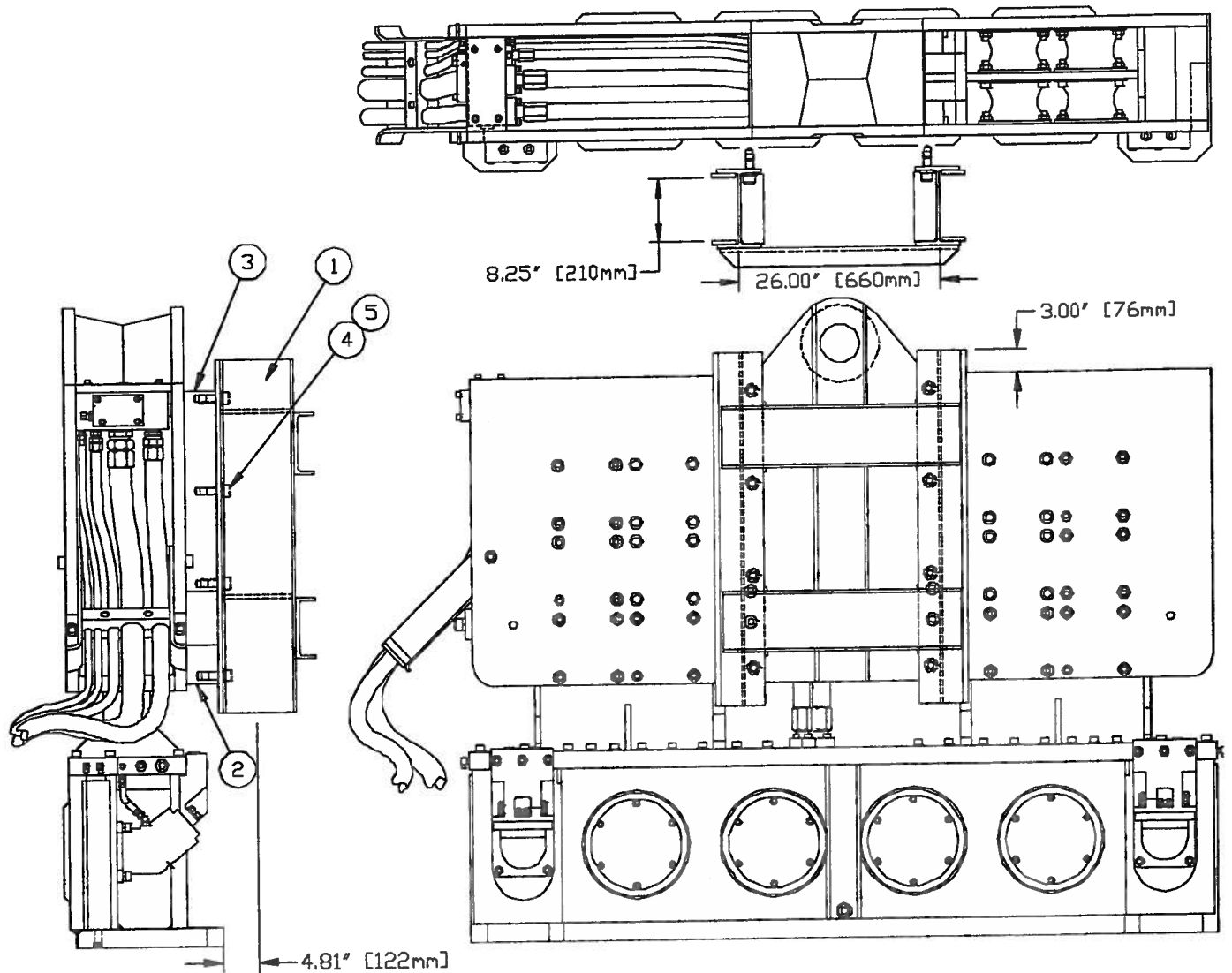
26" LEAD SLED - MODEL 44 & 44B VIBRATORS

Assembly # 800505

Used on Models 44 & 44B vibrators

Weight - 420 lbs, 190 kg

Serial number location - No serial number



Item	Part Number	Qty	Part Description
1	110961	1	Lead adapter - 26 inch
2	110218	2	Lead adapter - short
3	110220	2	Lead adapter - long
4	400401	8	1.00-8UNC X 2.00 SHCS
5	1X8512	8	1.00 Hi-Collar Lock Washer

32" LEAD SLED - MODEL 66 & 66C VIBRATOR

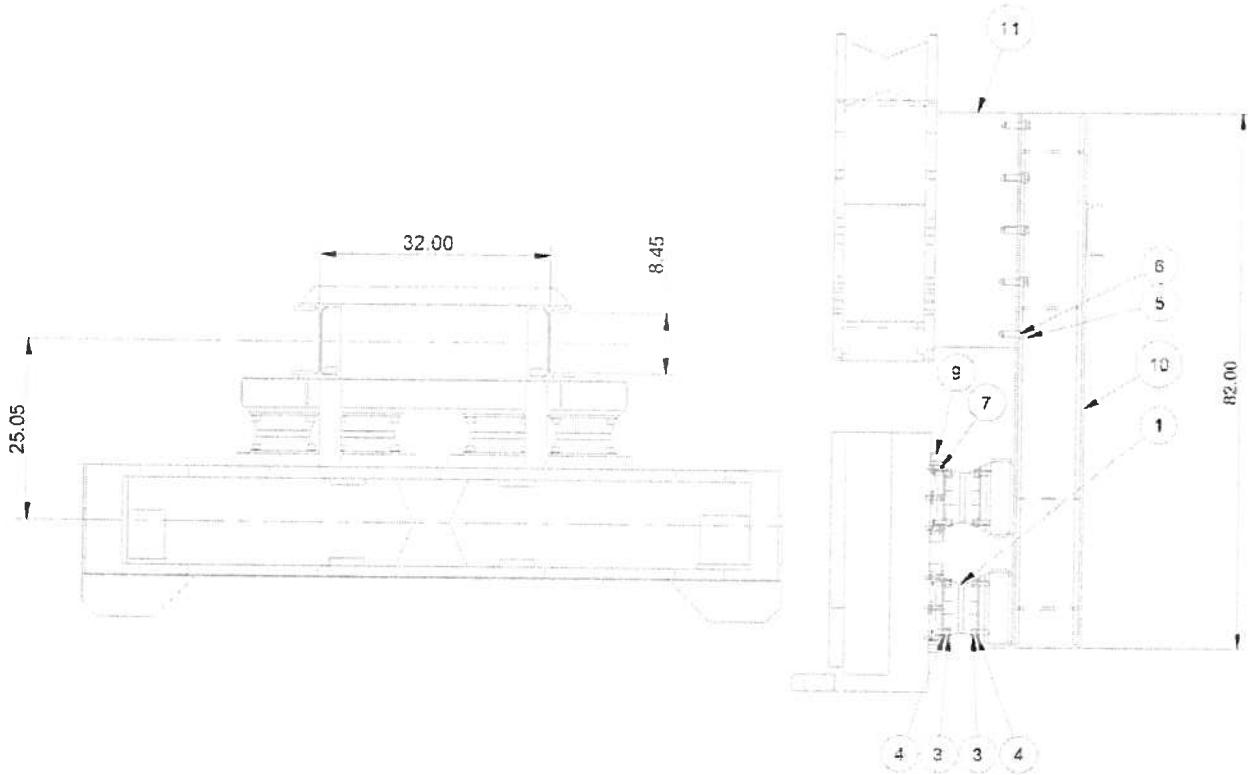
Assembly # 840175

Used on Model 66 & 66C vibrator

Weight - 2200 lbs, 998 kg

Serial number location - No serial number

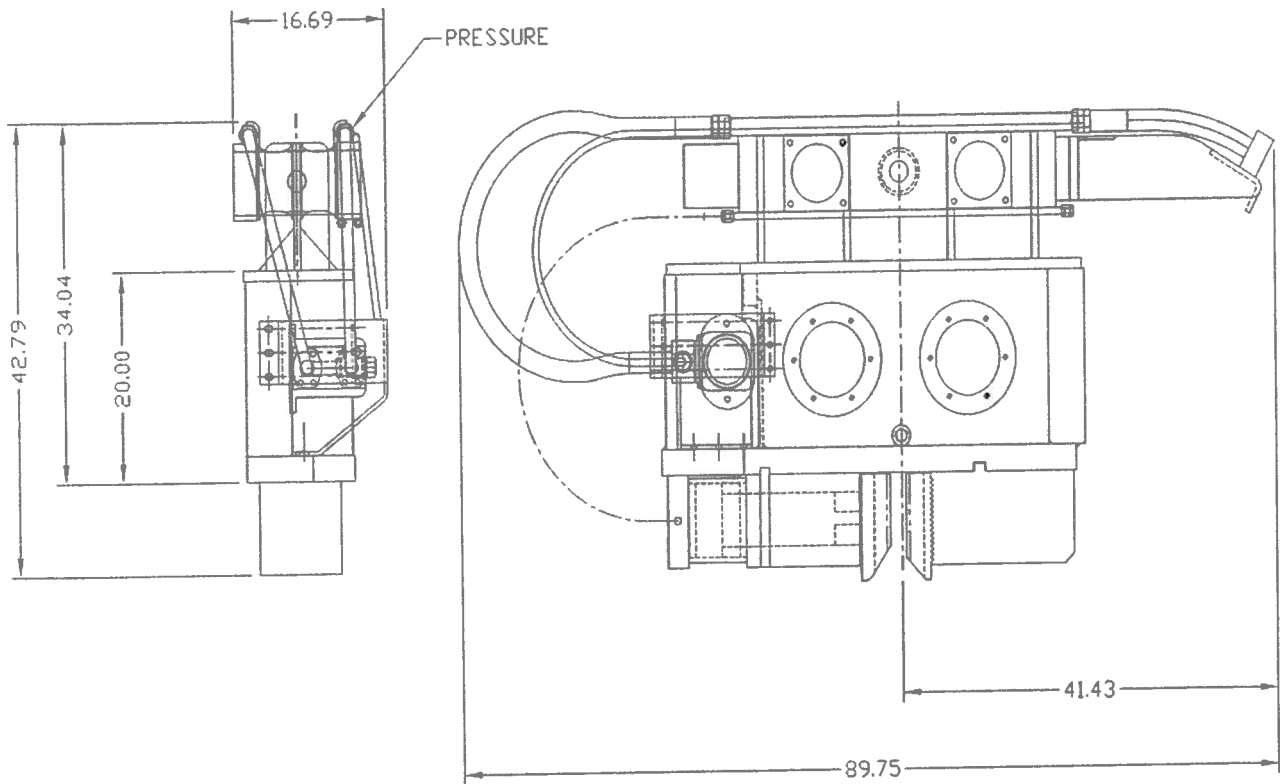
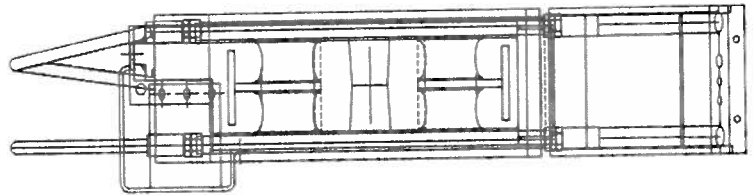
Not For Use on Batters



Item	Part Number	Qty	Part Description
1	100796	4	Elastomer
3	1X1287	32	0.75-10UNC X 1.75 SHCS
4	1X8478	32	0.75 Hi-Collar lock washer
5	1X8511	10	1.00-8UNC X 2.50 SHCS
6	1X8512	10	1.00 Hi-Collar lock washer
7	1X8888	24	0.50-13UNC X 1.75 SHCS
9	720153	4	Bearing cover
10	720154	1	32" Lead sled
11	720155	2	Mounting block

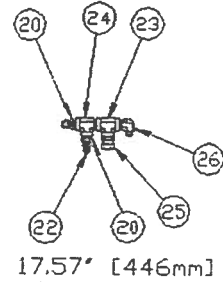
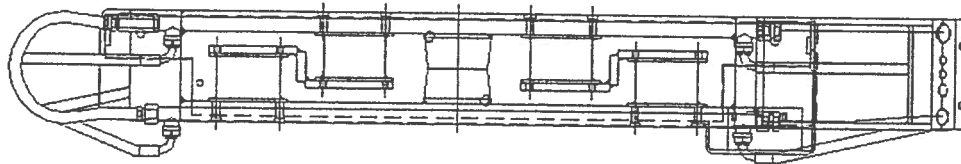
LOW-HEADROOM SUPPRESSOR 216 VIBRATOR

Assembly # 800491
Used on Model 216 vibrator
Manufactured since 1994
Weight - 850 lbs, 386kg
Serial number location - No serial number

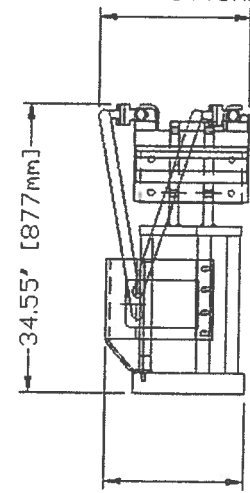
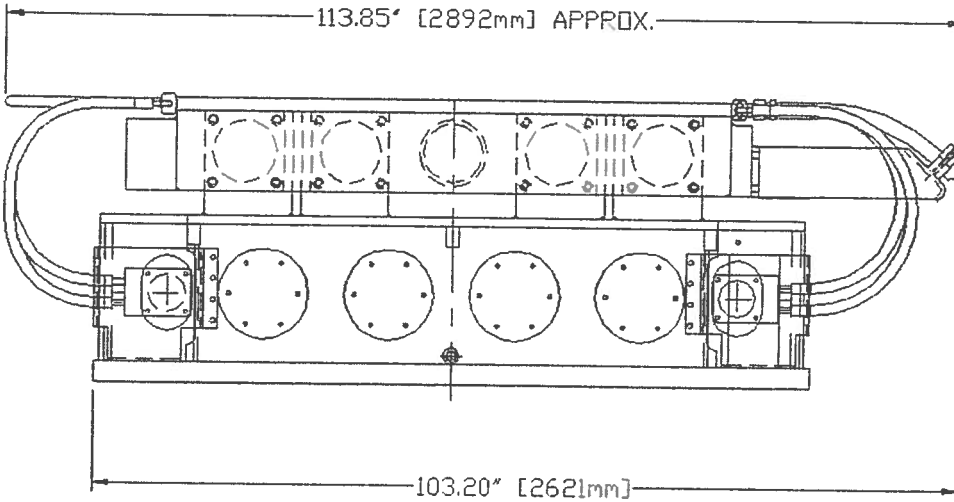


LOW-HEADROOM SUPPRESSOR – MODEL 416L

Assembly # 800831
 Used on Model 416L vibrator
 Manufactured since 1994
 Weight - 2200 lbs, 998kg
 Serial number location - No serial number



17.57' [446mm]



16.19' [411mm]

Components for Converting to Low Headroom Suppressor

Part number	Qty	Part description
130243	9	Rubber Tie Down
130615	1	Suppressor Housing
130617	1	Transmission Adapter
130619	1	Hose Chute
130621	1	Hose Clamp
130621	2	1.25 SCH 80 x 39 Tube
130629	2	0.38 SCH 80 x 37 Tube
130699	1	Valve Body
130023	4	Elastomer

LOW-HEADROOM SUPPRESSOR – MODEL 416L

Item	Part Number	Qty	Part Description
1	100390	1	416S Suppressor housing
2	100388	1	416S Transmission adapter
3	100376	2	Pipe manifold
4	100796	4	Elastomer
5	400545	16	.75-10 UNC X 3 LG SHCS
6	400069	20	.75-10 x 2.0 LG SHCS
7	100782	32	.75-10 Flange nut
8	400159	2	FITT2S-24P20Q000-000H001
9	110698	1	Check valve
10	100235	2	FITT2S-20Q20N000-000H001
11	110139	1	FITT2S-24Q24N000-000H001
12	100049	8	#12 Split flange half
13	100700	16	0.375-16UNC X 1.25 HHCS
14	400149	16	0.375 Lock washer
15	100097	4	2-214 O-Ring 70 DURO
16	100386	1	Hose bracket
17	100380	1	Hose clamp
18	100069	20	0.75 Lock washer medium
19	110735	3	0.50-13 X 2.5 LG SHCS
20	400409	2	FITT2S-12P08Q000-000H001
21	100032	1	Relief valve
22	110173	1	FITT2S-08M08P000-000H001
23	400817	1	FITT2T-12Q12Q12Q-0000001
24	130097	1	FITT2T-12Q12P12Q-0000001
25	100043	1	FITT2S-12P12N000-000H001
26	300493	1	FITT2L-08M12P000-0000001
27	400823	2	FITT2L-06R06N000-000H001
28	140093	1	Left terminal block
29	100053	2	6 O-Ring X 6 JIC Connector
30	400411	2	FITT2L-06M06J000-000H001
31	100067	16	0.75-10 X 2.5 SHCS LOC WEL
32	100071	28	0.625-11 X 2.5 SHCS LOC WEL
33	100007	28	0.625 Lock washer medium
34	100374	4	HOSE075PT4J012F912L0460C
35	100372	1	HOSE050R01J008L0410C
36	100370	1	HOSE050R01J008J008L1550C
37	100368	1	HOSE125PT4P020P020LO320C
38	810037	1	416L Transmission case assembly
39	100366	2	Pipe guard

LOW-HEADROOM SUPPRESSOR – MODEL 44 & 44B

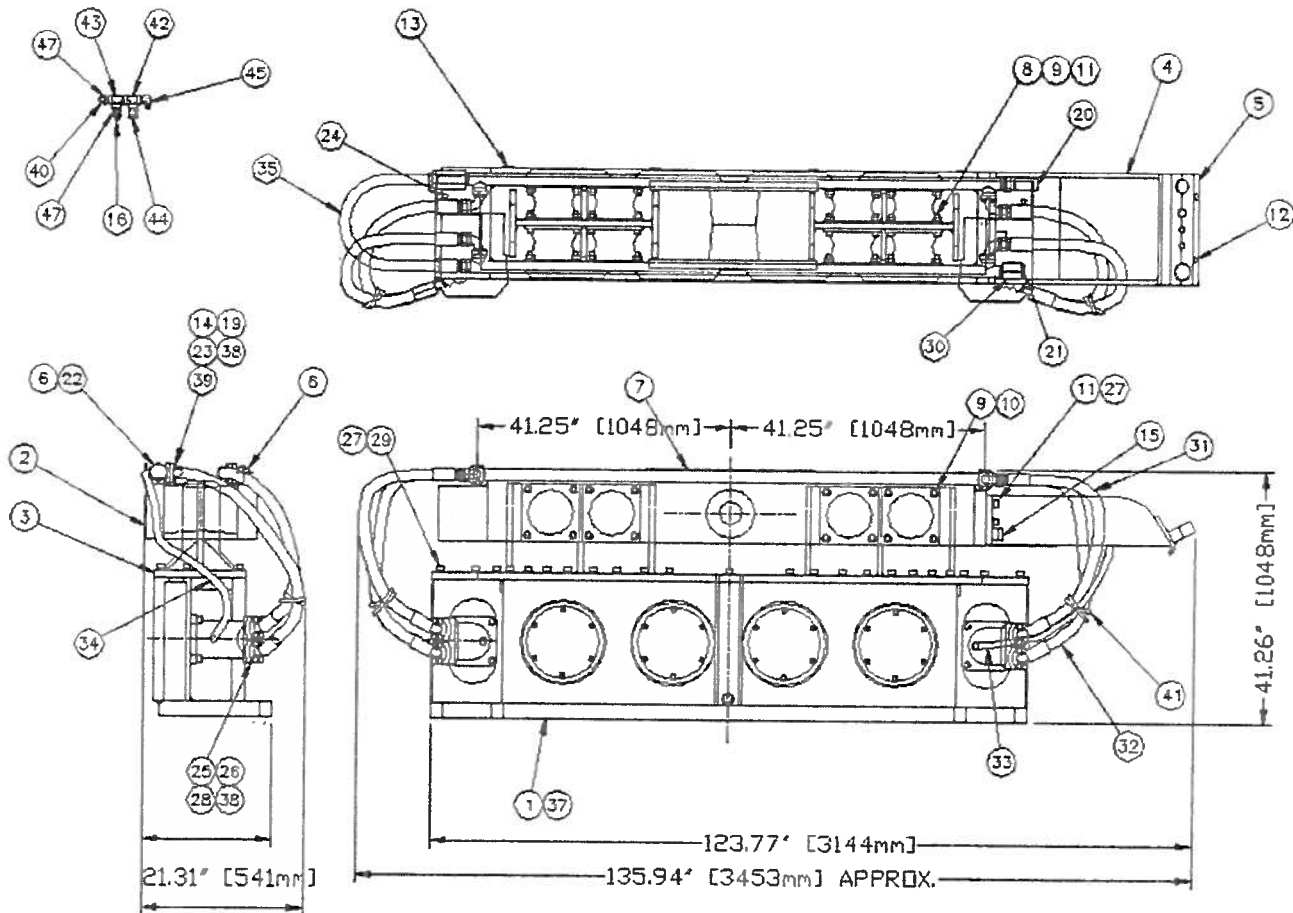
Assembly # 800475

Used on Model 44 & 44B vibrator

Manufactured

Weight - 2800lbs, 1270 kg

Serial number location - No serial number



26.50" [673mm] APPROX.

Item	Part Number	Qty	Part Description
1	810649	1	44 Gear case assembly
2	110288	1	Suppressor housing
3	110286	1	Transmission adapter
4	110284	1	Hose bracket
5	110282	1	Hose clamp
6	110280	2	Pipe manifold
7	110278	2	Pipe guard

LOW-HEADROOM SUPPRESSOR – MODEL 44 & 44B

Item	Part Number	Qty	Part Description
8	100796	8	Elastomer
9	100782	48	0.75-10 Flange nut
10	140111	32	0.75-10 X 4.0 SHCS LW
11	100067	20	0.75-10 X 2.5 SHCS LOC WEL
12	100085	2	0.625-11 X 2.25 SHCS
13	110715	16	1.5 X .25 Bar per in
14	100462	16	0.437-14 UNC X 1.25 HHCS
15	140093	1	Left terminal block
16	110173	1	FITT2S-08M08P000-000H001
17	100053	2	6 O-Ring X 6 JIC Connector
18	400823	2	FITT2L-06R06N000-000H001
19	100443	16	0.437 Lock washer
20	110139	2	FITT2S-24Q24N000-000H001
21	110269	1	FITT2S-32M24P000-000H001
22	110864	1	Discharge valve
23	110276	4	FITT2L-20F20M000-000H001
24	100423	2	FITT2P-08P000000-000S007
25	400739	16	0.50-13 UNC X 2 HHCS
26	100121	16	0.50 Lock washer medium
27	100069	48	0.75 Lock washer medium
28	110986	8	#20 PH split flange half
29	400545	44	.75-10 UNC X 3 LG SHCS
30	110264	1	FITT2S-24Q24Q000-0000301
31	110274	2	HOSE125PT4J020H420L0610C
32	110272	2	HOSE125PT4J020H420L0640C
33	110270	1	HOSE050R02J008J008L0590C
34	110268	1	HOSE050R02J008J008L1920C
35	110266	1	HOSE125R02P024P024LO440C
37	100298	1	ICE green paint (gallon)
38	100037	8	2-222 O-Ring 90 DURO
39	100045	8	#20 PA split flange half
40	100032	1	Relief valve
41	130243	6	Rubber tie down
42	400817	1	FITT2T-12Q12Q12Q-0000001
43	130097	1	FITT2T-12Q12P12Q-0000001
44	100043	1	FITT2S-12P12N000-000H001
45	300493	1	FITT2L-08M12P000-0000001
46	400411	2	FITT2L-06M06J000-000H001
47	400409	2	FITT2S-12P08Q000-000H001

VIBRATOR STAND – MODEL 22, 22B, 28B, 28C, 416L, 44, & 44B

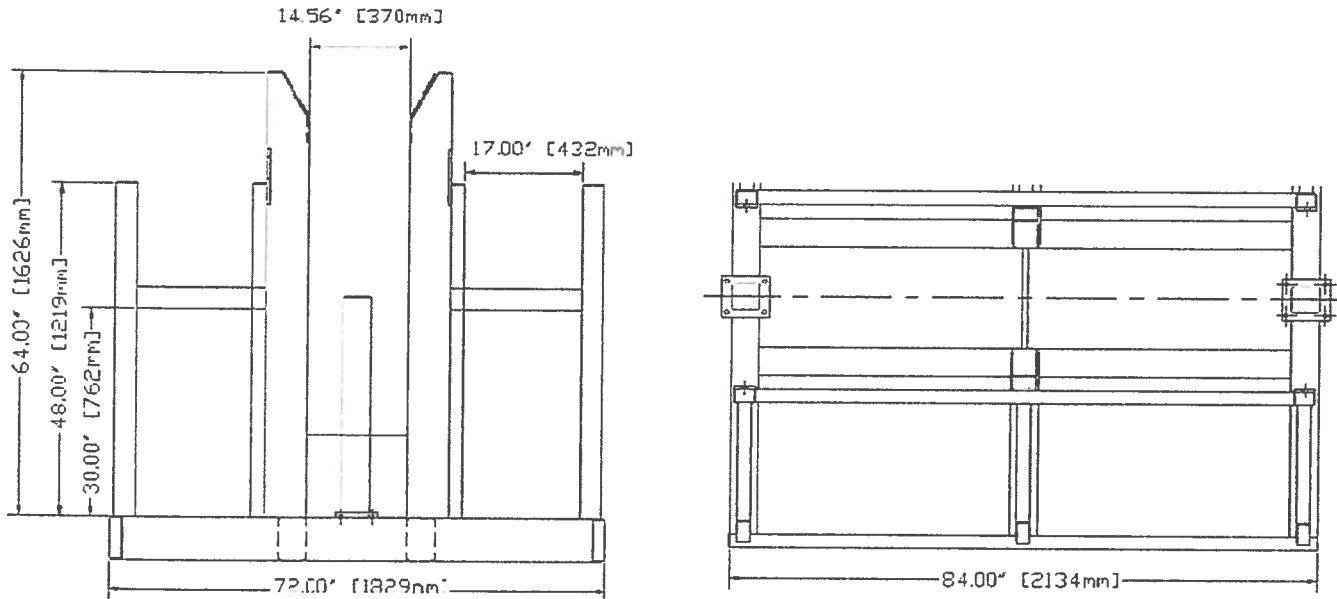
Assembly # 700265

Used on Model Models 22, 22B, 28B, 28C, 416L, 44 & 44B vibrators

Manufactured: 1996 to present

Weight - 420 lbs, 190 kg

Serial number location - No serial number

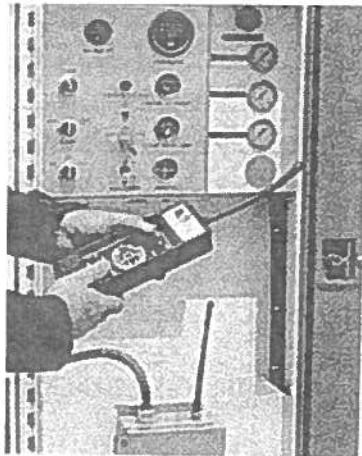


RADIO REMOTE CONTROLS FOR ICE POWER UNITS

830117 wireless radio remote control

830224 Tier III wireless remote control

Provides wireless control of power units within a 50' (15M) radius of power unit. Contact ICE product specialist for specific applications.



Section 7: OLDER CLAMPS AND ACCESSORIES

The clamps and accessories on the following pages, while no longer in production or the ICE rental fleet, are for the most part still supported and serviced by ICE. However, parts may not be immediately available from stock.

Most of these clamps and accessories have been superseded by newer models with greater capabilities.

Please contact ICE representative for specific information on these older clamps and accessories.

MODEL 216 UNIVERSAL CLAMP

Assembly No. 810218

Used on Models 216, 216B & 216E vibrators

Model 216 manufactured 1976 to present, Serial numbers 162001 and up and V82435 and up

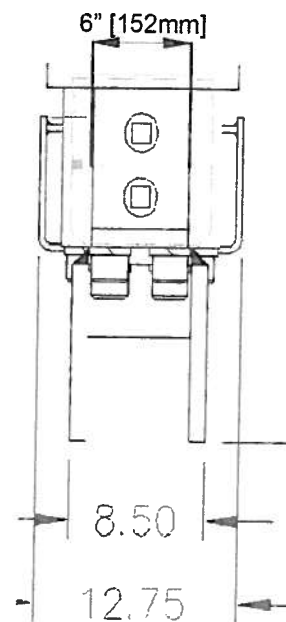
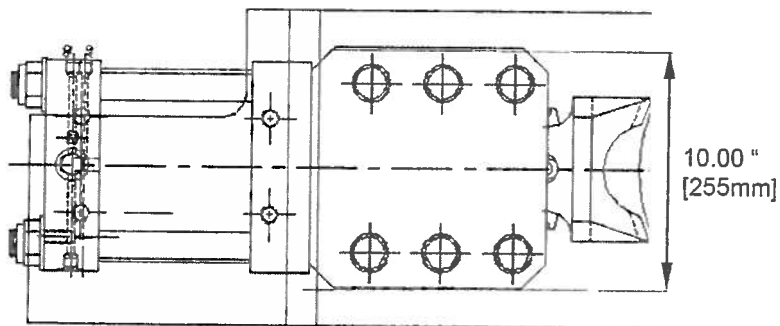
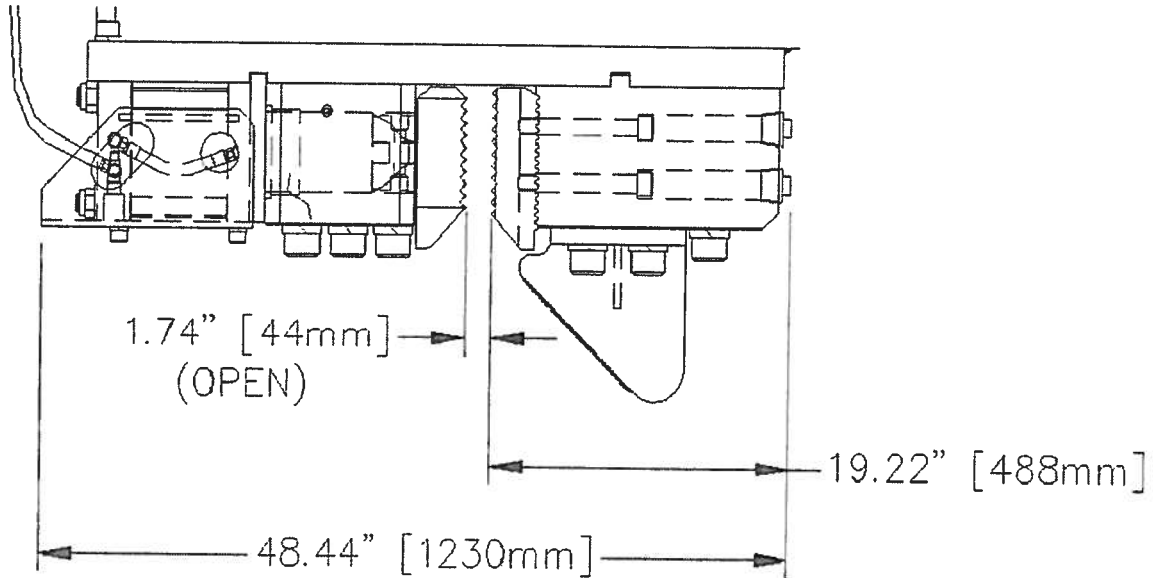
Model 216B manufactured 1976 to present, Serial numbers V82435 and up

Model 216E manufactured Feb 03 to present, Serial numbers V62927 and up

Clamping force – 50 tons at 2500 psi, 445 kN at 172 bar

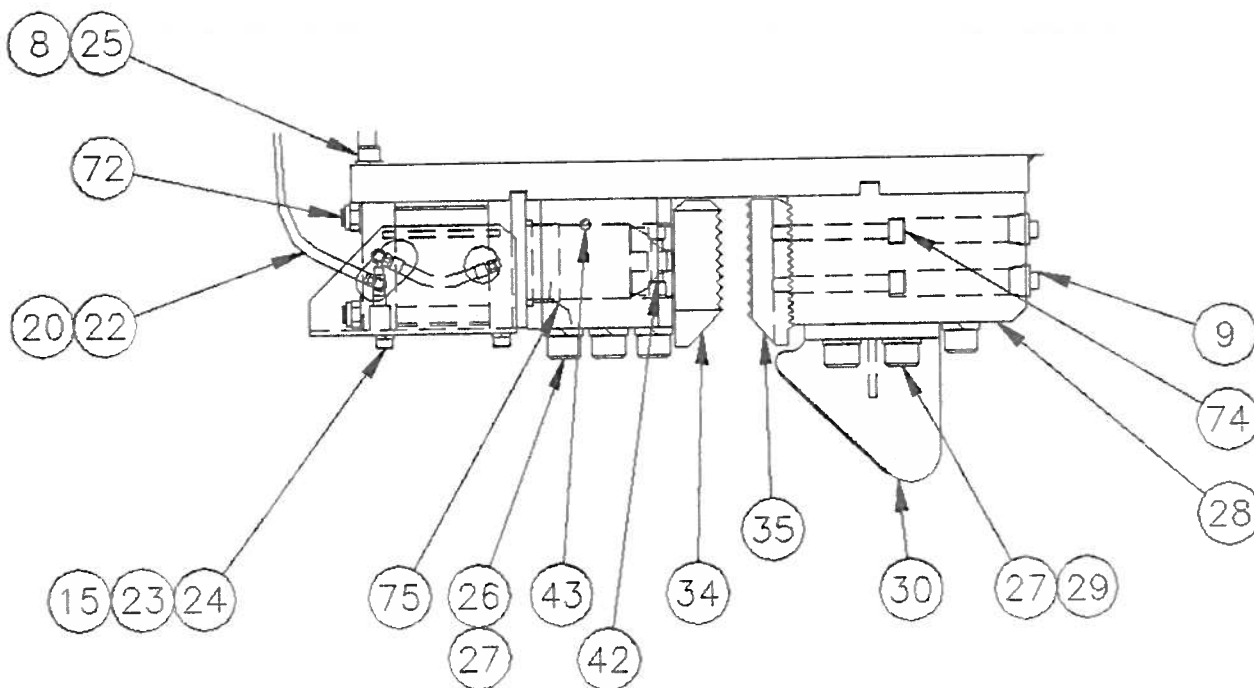
Weight – 866 lb, 293 kg

Serial number location – Same serial number as vibrator (see vibrator serial number plate)



810218-DIM

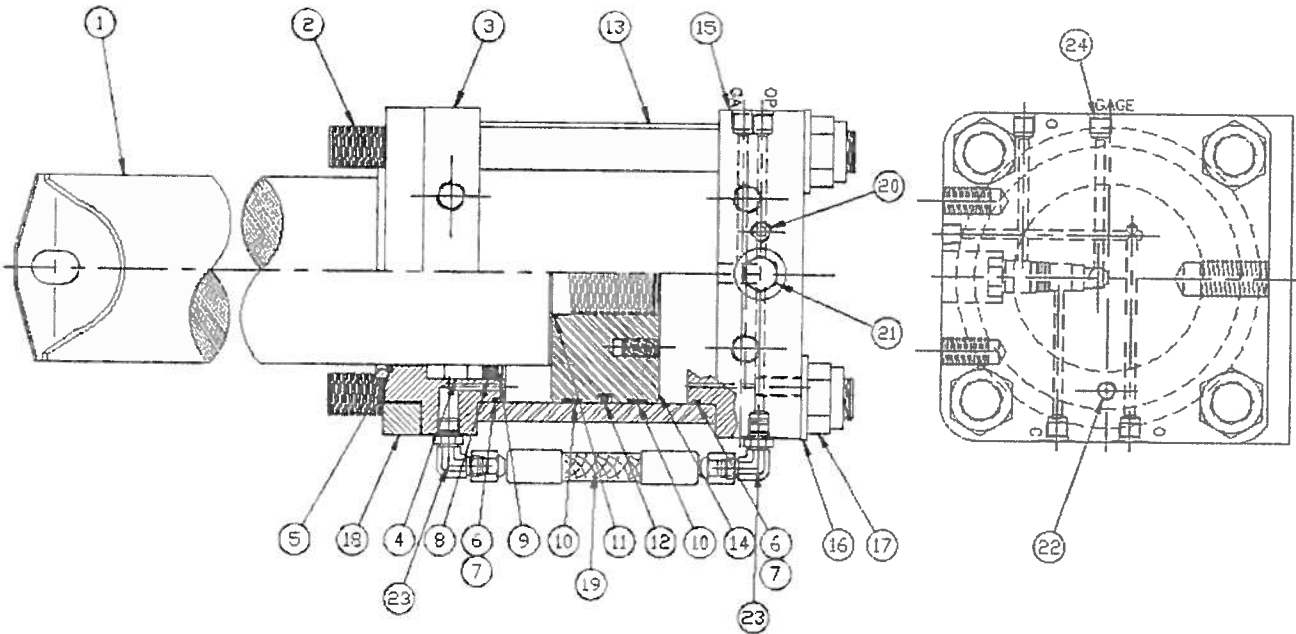
MODEL 216 UNIVERSAL CLAMP



Assembly No. 810218 - Clamp

Item	Part Number	Qty	Part Description
8	1X8512	1	1.00 Hi-Collar lock washer
9	130733	2	FITT2P-24P000000-000Q001
15	1X32	4	0.75 Spring lock washer
20	130173	2	HOSE038R02J006J006L11000
22	130057	2	FITT2L-06M06R000-000H001
23	130009	1	Cylinder guard
24	400275	4	0.75-10UNC X 1.50 SHCS
25	100212	1	1.00-8UNC X 4.00 SHCS
26	130077	8	1.50-6UNC X 11.00 SHCS
27	1X8502	12	1.50 Lock washer (Extra heavy)
28	130523	1	Fixed jaw bracket
29	130293	4	1.50-6UNC X 12.00 SHCS
30	130291	1	Pile feed guide
34	810535	1	Double-sheeting jaw - Movable - 6"
	810433	1	Universal jaw - Movable - 5"
			Pipe jaws (See next page)
35	130469	1	Double-sheeting jaw - Fixed - 6"
	110515	1	Universal jaw - Fixed - 5"
			Pipe jaws (See next page)
42	130449	1	3/4" x 3" Heavy spiral pin
43	1X812	1	1/8" Grease fitting
72	810217	1	Clamp cylinder (see below)
74	300043	2	1.00-8UNC X 8.00 SHCS
75	130001	1	Guide block

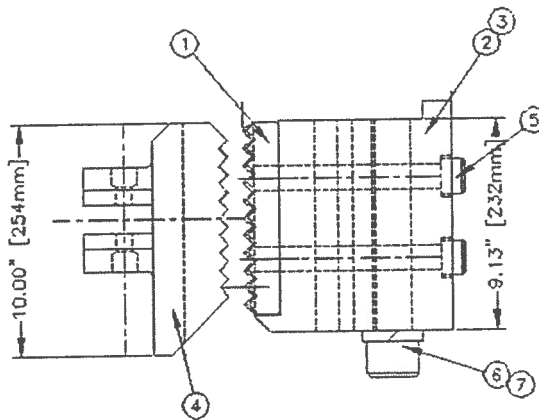
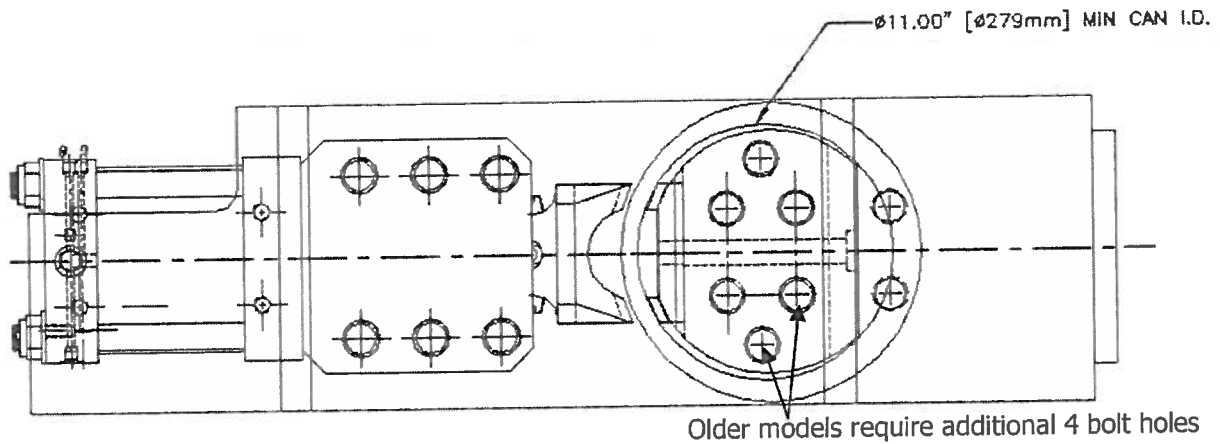
MODEL 216 UNIVERSAL CLAMP Assembly 810217 - Clamp cylinder



810217

Item	Part Number	Qty	Part Description
1	130439	1	Cylinder rod
2	120309	4	Tie rod
3	130415	1	Rod end cap
4	120267	1	Rod bushing
	810225	1	Seal kit (includes items 5-12)
5	120289	1	Rod wiper
6	120347	2	2-261 O-ring
7	120349	2	261 Back-up ring
8	120287	1	Rod seal
9	120291	1	Retaining ring
10	120355	2	Piston bearing
11	120281	1	2-140 O-ring
12	120357	1	Piston seal
13	120315	1	Cylinder tube
14	120313	1	Piston
15	130417	1	Piston end cap
16	120303	4	Washer - 1.125
17	120343	4	Hex Lock Nut
18	130419	1	Front Plate
19	720143	1	HOSE038R02J006J006L0060-0
20	1X823	1	FITT2P-02P000000-000S001
21	120629	1	Holding valve cartridge
22	120761	1	Pointed set screw
23	130057	2	FITT2L-06M06R000-000H001
24	400992	1	FITT2P-06R000000-000S001

MODEL 216 - 12" PIPE CLAMP



Item	Part Number	Qty	Part Description	840219
1	730057	1	Fixed jaw	
2	730358	1	Fixed jaw bracket	
3	100298	0.25	ICE green paint	
4	730059	1	Moveable jaw	
5	300043	2	1.0-8UNC X 8.00 SHCS	
6	130077	6	1.5-6UNC X 11.00 SHCS	
7	1X8502	6	1.5 Lock washer	

MODELS 125 & 126 UNIVERSAL CLAMPS

Assembly No. 125=800039, 126=800149

Model 125 & 126 are same except for clamp body

Model 125 manufactured 1974 to 1988

Model 126 manufactured 1979 to Feb 90

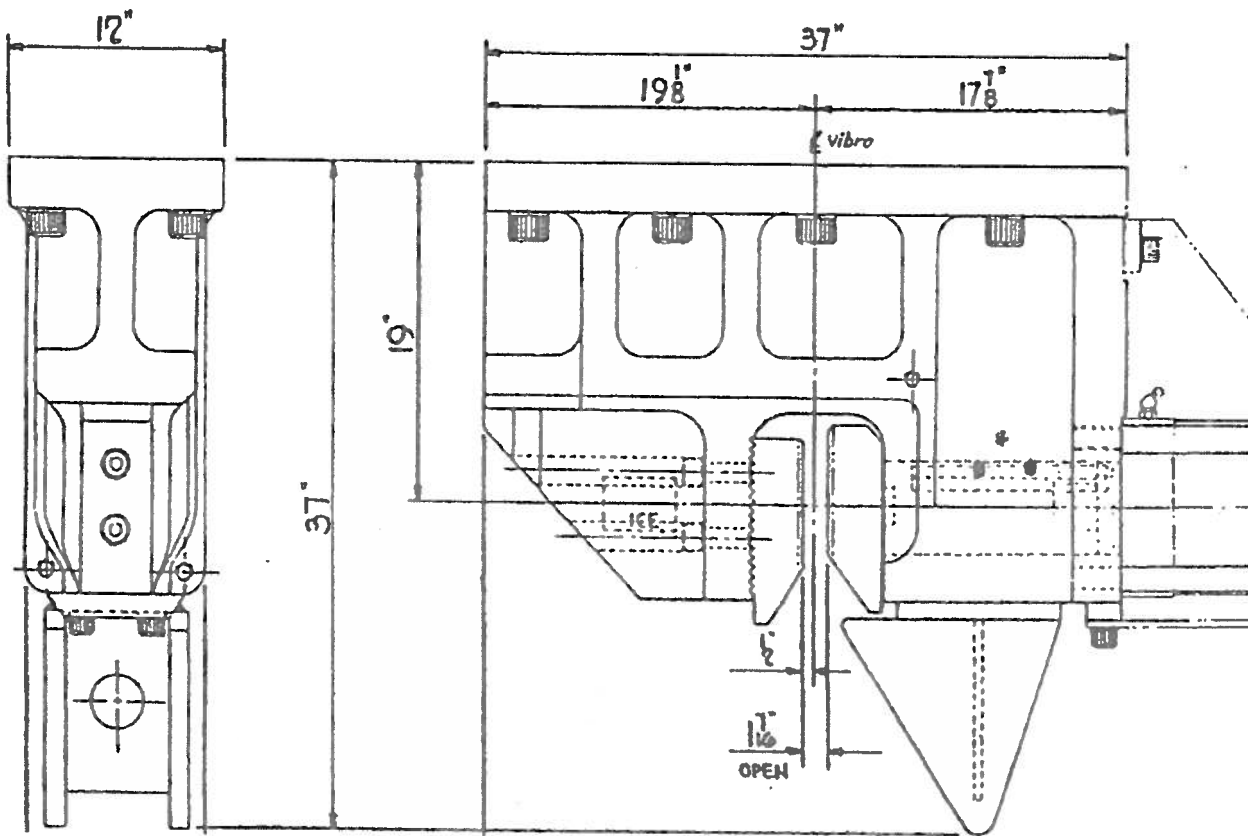
Serial numbers 250701-250993

Model 125 clamping force – 100 tons at 4000 psi, 890 kN at 276 bar

Model 126 clamping force – 126 tons at 5000 psi, 1120 kN at 345 bar

Weight – 2,150 lb, 975 kg

Serial number location – Clamp serial number plate, stamped on clamp body



MODELS 125 & 126 UNIVERSAL CLAMPS

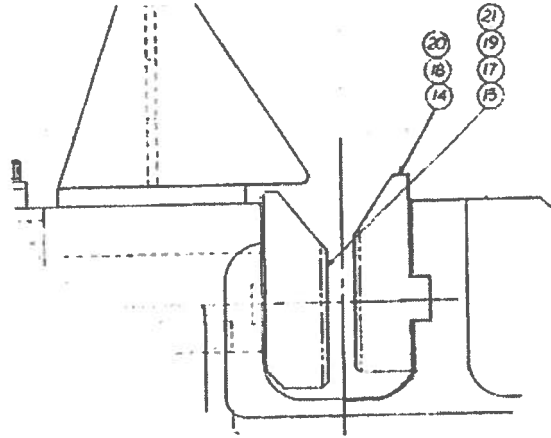
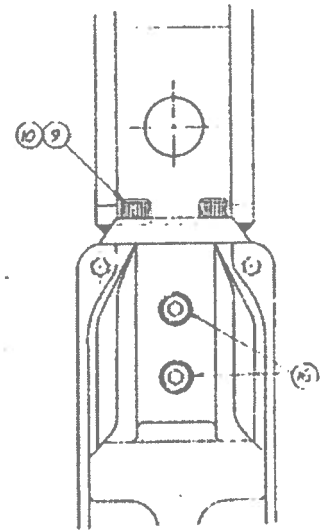


Figure 2
S/N up to 250744 incl.



SECTION A-A

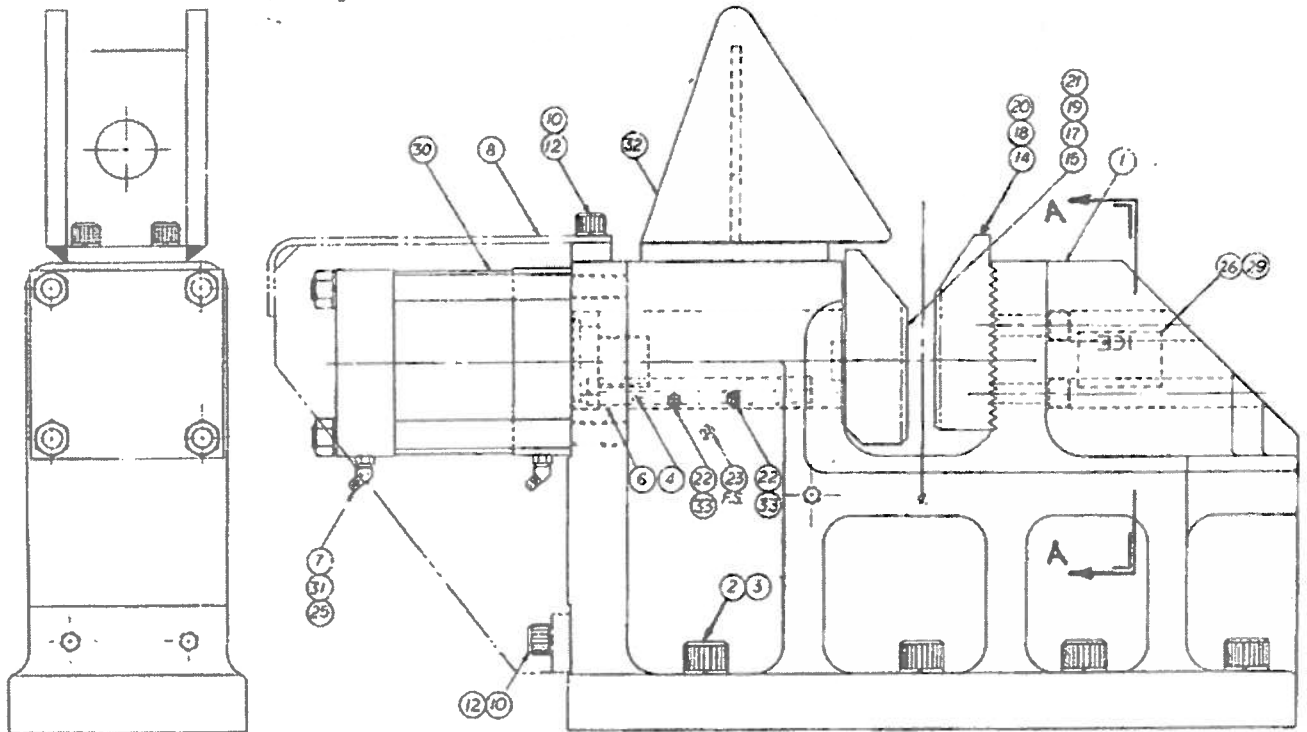


Figure 1
S/N 250745 and above

MODELS 125 & 126 UNIVERSAL CLAMPS

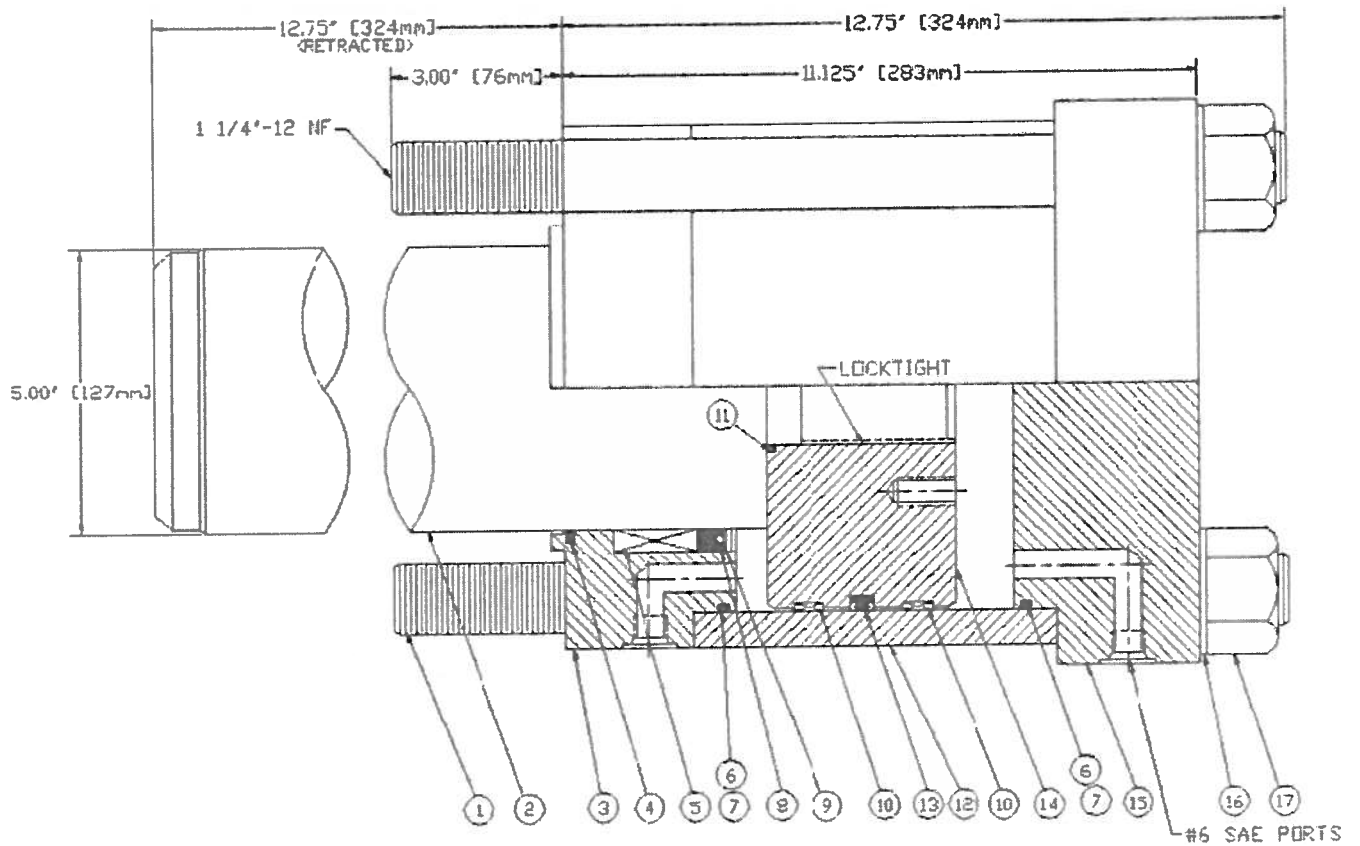
Assembly No. 800039

Item	Part Number	Qty	Description
1	810057	1	Clamp body
2	100193	8	1.5-6UNC X 5.00 SHCS
3	100195	8	Lock washer (1-1/2 Heavy)
4	100197	1	Key
6	100201	1	Plunger
7	100203	2	Adapter
8	100205	1	Cylinder cover
9	100207	4	1.0-8UNC X 3.00 SHCS
10	100209	8	Lock washer (1)
12	100213	4	1.0-8UNC X 2.50 SHCS
14	100215	1	Universal jaw - fixed (keyed back) (See Note 1)
	110515	1	Universal jaw - fixed (saw tooth back) (See Note 2)
15	100217	1	Universal jaw - moveable
16	100212	2	1.0-8UNC X 4.00 SHCS
17	100214	2	Jaw Bolt - moveable
18	100219	1	Double sheeting jaw - fixed (keyed back) (See Note 1)
	110419	1	Double sheeting jaw - fixed (saw tooth back) (See Note 2)
19	100221	1	Double sheeting jaw - moveable
20	100223	1	H-beam jaw - fixed (keyed back) (See Note 1)
	100541	1	H-beam jaw - fixed (saw tooth back) (See Note 2)
21	100225	1	H-beam jaw - moveable
22	100227	2	0.375-16UNC X 2.25 SHCS
23	100229	1	Grease fitting (1/8" NPT)
25	100230	2	Hose Plug
26	100791	1	Serial number plate
29	130381	4	Rivet
30	810189	1	Cylinder
	810121	1	Seal kit (Clamp S/N's 241201-250749)
	810129	1	Seal kit (Clamp S/N's 250750-250794)
	810211	1	Seal kit (Clamp S/N's 250795 and up)
31	100228	2	Hose Assembly (3/8 X 61")
32	100983	1	Pile feed guide
33	400149	2	Lock washer (3/8")

Note 1: Required on universal clamps with serial numbers up to and including 250744

Note 2: Required on universal clamps with serial numbers 250745 and above

MODELS 125 & 126 CYLINDER ASSEMBLY- 810189



Item	Part Number	Qty	Description
1	120269	4	Tie Rod
2	120297	1	Cylinder Rod
3	120295	1	Rod End Cap
4	120231	1	Rod Wiper
6	120251	1	Rod Bushing
7	120277	2	265 O-ring
8	120279	2	265 Back-up Ring
9	120233	1	Rod Seal
10	120285	2	Piston Bearing
11	120281	1	140 O-ring
12	120275	1	Cylinder Tube
13	120283	1	Piston Seal
14	120271	1	Piston
15	120263	1	Piston End Cap
16	120111	4	1.25 Flat Washer
17	120301	4	1.25-12UNC H.S. Hex Nut
18	810211	1	125/126 Seal Kit

MODELS 126B & 126C UNIVERSAL CLAMPS

Assembly No. 800327

Model 126B & Model 126C are the same.

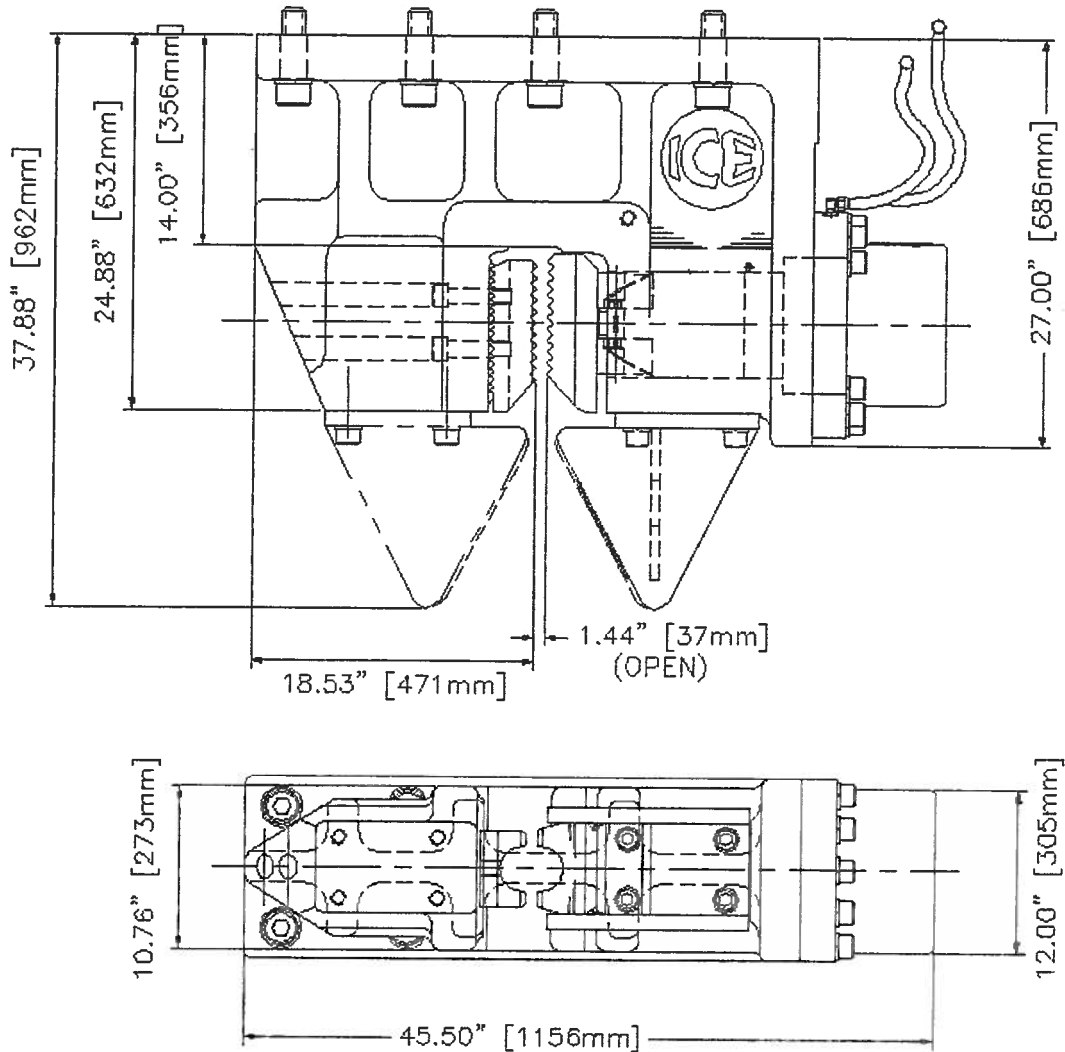
Model 126B manufactured Feb 90 – Dec 02, serial numbers 250997 and up

Model 126C manufactured Jan 03 - Mar 05 , serial numbers C51506 and up

Clamping force – 126 tons at 5000 psi, 1120 kN at 345 bar

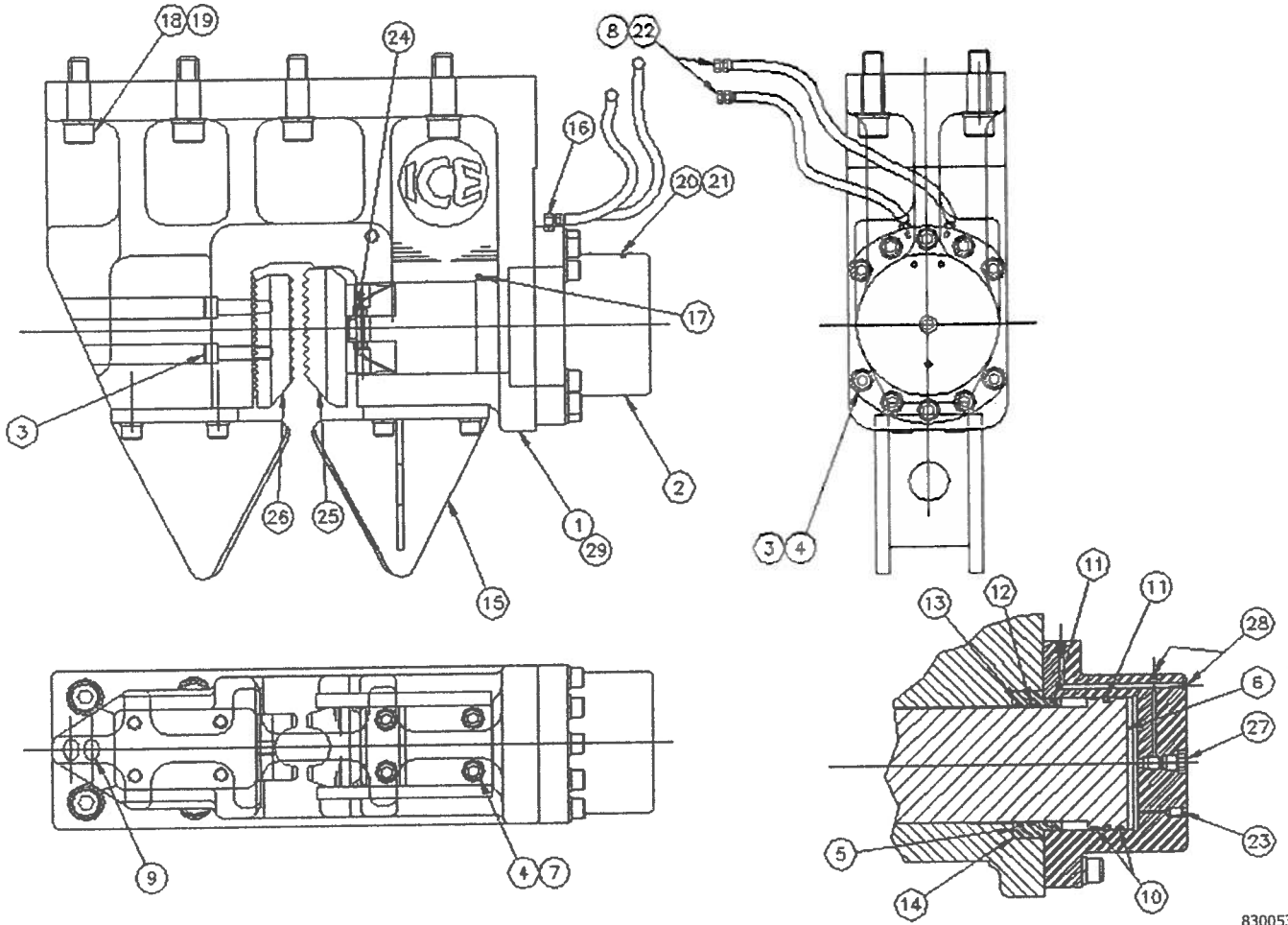
Weight – 2,150 lb, 975 kg

Serial number location – Clamp serial number plate, stamped on clamp body and cylinder housing



830053-DIM

MODELS 126B & 126C UNIVERSAL CLAMPS



830053

MODELS 126B & 126C UNIVERSAL CLAMPS

Item	Part Number	Qty	Part Description
1	810493	1	Clamp body
2	810491	1	Cylinder housing
3	100212	12	1.00-8UNC X 4.00 SHCS
4	1X34	17	1.00 Lock washer (Medium)
5	120567	1	Rod end cap
6	730207	1	Rod & piston assembly (See Note)
7	100213	7	1.00-8UNC X 2.50 SHCS
8	100111	2	HOSE038R02J006J006L0875S
9	1X821	2	FITT2P-24P000000-000S001
	810515	1	Model 126B & C Seal kit (includes items 10-14)
10	120285	2	Piston bearing
11	120283	2	Piston seal
12	120555	1	Rod Bearing
13	120553	1	Rod seal
14	120401	1	2-269 O-ring
15	100983	1	Pile feed guide
16	130057	2	FITT2L-06M06R000-000H001
17	1X813	2	1/4" Grease fitting
18	1X8548	8	1.50-6UNC X 5.00 SHCS
19	1X8502	8	1.50 Lock washer (Extra heavy)
20	730045	1	Clamp serial number plate
21	1X1516	4	#10 X 3/8" Drive screw Type U
22	1X8587	2	FITT2C-06J000000-000H001
23	120761	1	Pointed set screw
24	130449	1	3/4" x 3" Heavy spiral pin
25	810499	1	Double-sheeting jaw - Movable - 8.5"
26	110419	1	Double-sheeting jaw - Fixed - 8.5"
27	120629	1	Holding valve cartridge
28	1X823	4	FITT2P-02P000000-000S001
29	100298	1	ICE Green Paint (gallon)

Assembly No. 800327

Note: Older units had separate piston and rod

120569	1	Piston
120575	1	Piston rod
120347	1	2-261 O-ring
100213	3	1.00-8UNC x 2.50 SHCS
100203	3	1" Lock washer

MODEL 127 Z-PILE CLAMP

Assembly No. 800041

Manufactured Jan 79 - Aug 92

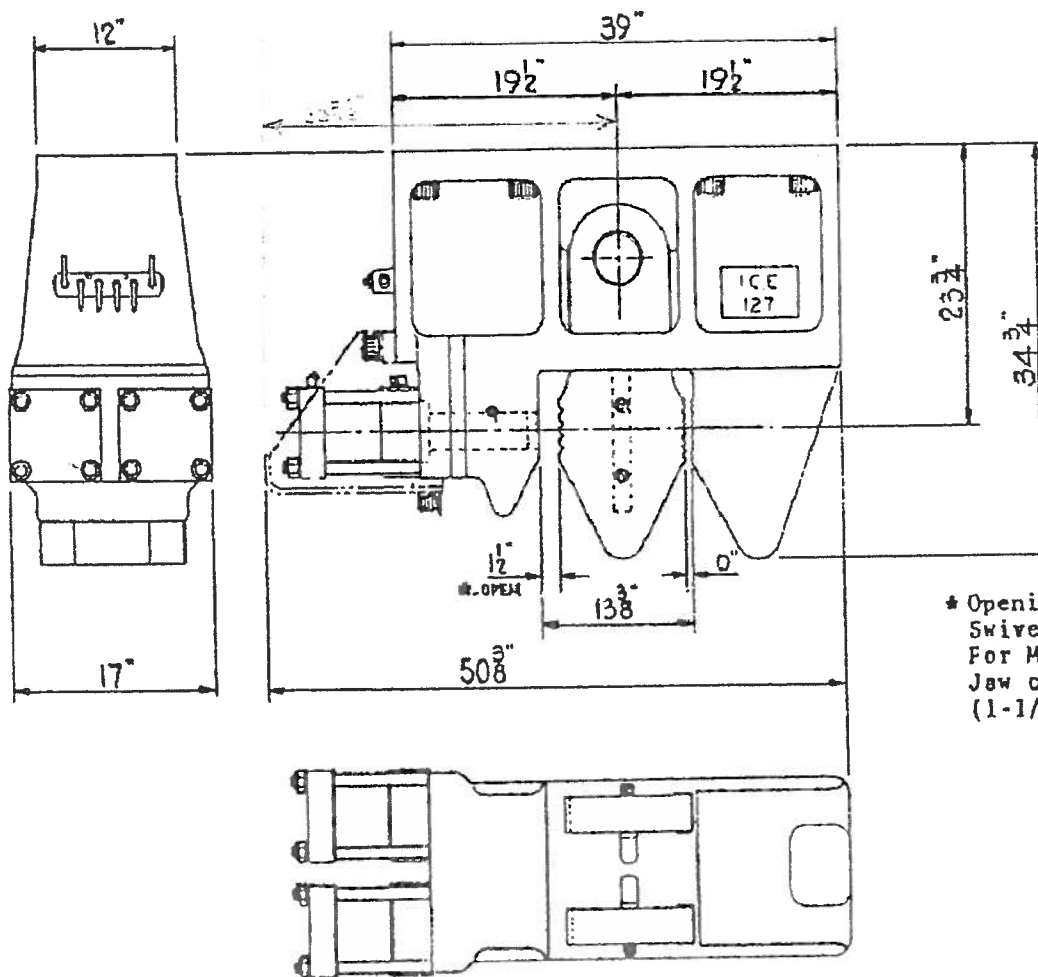
Serial numbers 254700 - 254741

Replaced by Model 127B

Clamping force - 126 tons at 5000 psi, 1120 kN at 345 bar

Weight - 3,190 lb, 1450 kg

Serial number location - Clamp serial number plate, stamped on clamp body

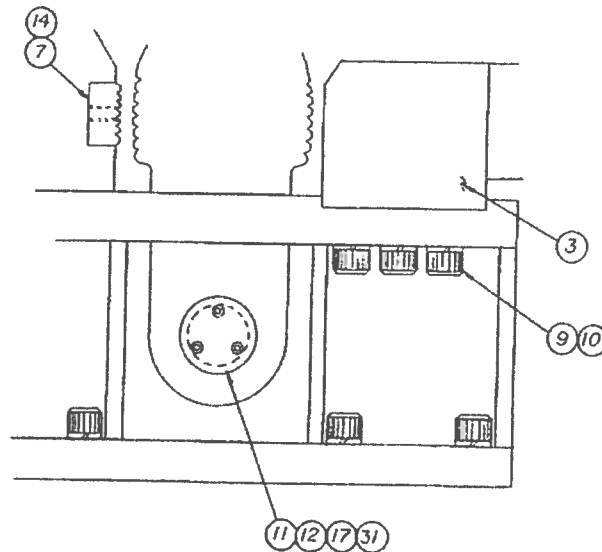
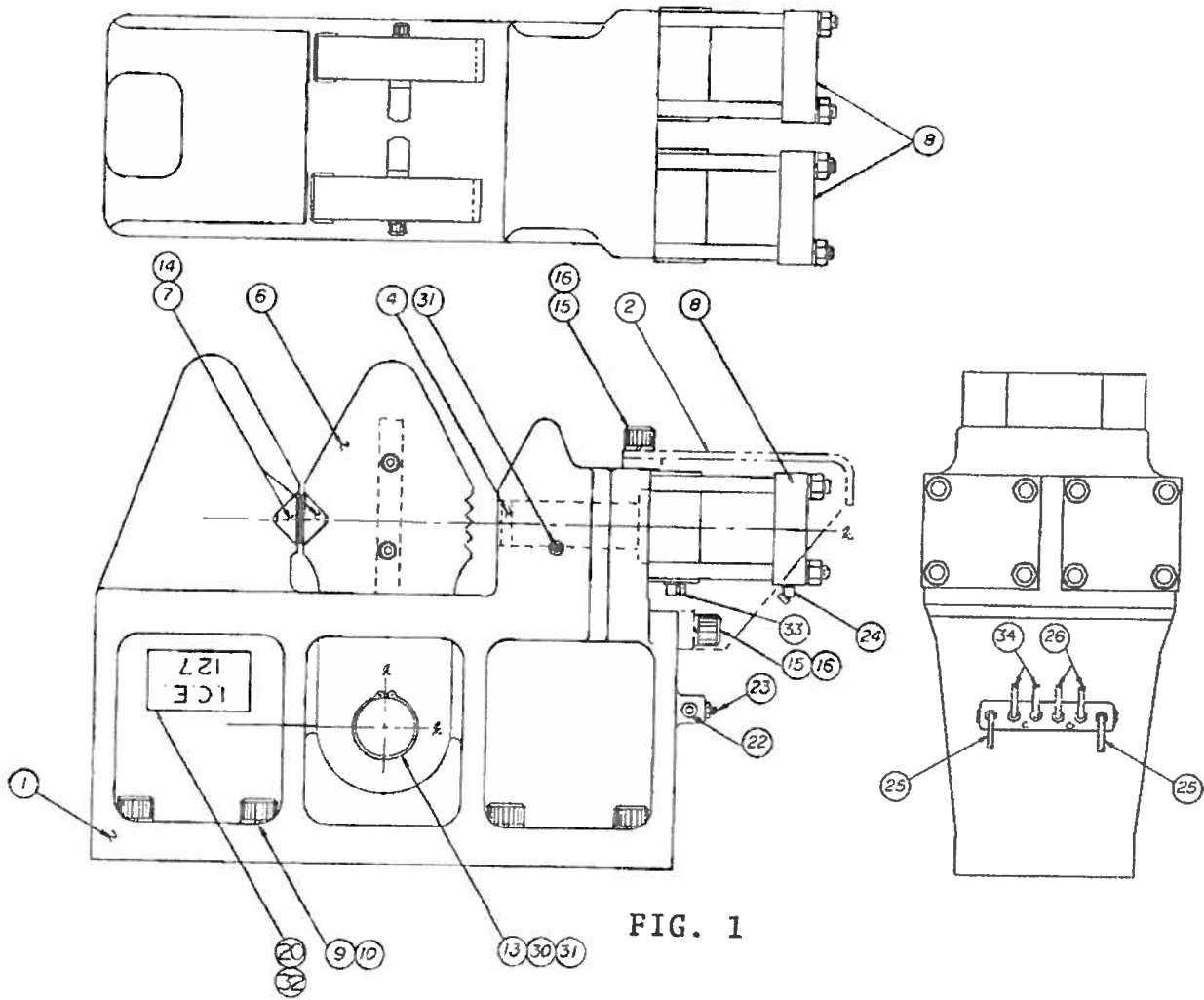


* Opening is shown for Swivel Insert Jaws. For Multi-Grip Inserts, Jaw opening is 2-1/8" (1-1/16" each end).

800041

MODEL 127 Z-PILE CLAMP

Assembly No. 800041



MODEL 127 Z-PILE CLAMP

Item	Part Number	Qty	Part Description
1	810059	1	Clamp body
2	120137	1	Cylinder guard
3	120139	2	Guide block (See Note 6)
4	810193	2	Cylinder rod assy. (See Note 1)
	810195	2	Cylinder rod assy. (See Note 2)
	810197	2	Cylinder rod assy. (See Note 3 & 4)
5	120161	2	Center guide
6	800123	1	PZ-27 inserts (See Note 6)
	800139	1	Multi-grip inserts (See Note 5)
7	120187	6	Jaw insert (See Note 5)
	120149	2	Jaw insert (See Note 6)
8	810175	2	Clamp cylinder
	810123	2	Seal kit (See Note 1)
	810131	2	Seal kit (See Note 2)
	810003	2	Seal kit (See Note 3)
	810029	2	Seal kit (See Note 4)
9	100193	8	SHCS (1-1/2-6 X 5)
10	100195	8	Lock washer (1-1/2)
11	120153	2	Retainer plate (See Note 6)
12	120121	6	Lock washer (1/2) (See Note 6)
13	120155	1	Shaft
14	100163	8	SHCS (1/2-13 X 1-3/4) (See Note 5)
	300043	2	SHCS (1-8 X 8) (See Note 6)
15	100213	4	SHCS (1-8 X 2-1/2)
16	100209	4	Lock washer (1)
17	100513	6	SHCS (1/2-13 X 1-1/2) (See Note 6)
18	100773	4	SHCS (5/8-11 X 4-1/2)
19	100007	4	Lock washer (5/8)
20	120181	1	Serial number nameplate
22	400213	2	FITT2P-06P000000-000S007
23	400203	6	FITT2S-06M06P000-000H001
24	100203	2	FITT2V-06M06R000-000H001
25	100111	2	HOSE038R02J006J006L0875S
26	120177	2	HOSE025R02J006J006L01400
30	120191	2	Retaining ring
31	100229	4	Grease fitting
32	130381	4	Rivet
33	130057	2	FITT2L-06M06R000-000H001
34	120179	2	HOSE025R02J006J006L02000

Note 1: Required on clamps with S/N's 254701 thru 254707 & 254709

Note 2: Required on clamps with S/N's 254708, 254712 thru 254714, 254716, 254717 and 254722 thru 254725.

Note 3: Required on clamps with S/N's 254710 and 254711.

Note 4: Required on clamps with S/N's 254715 and 254718 thru 254721.

Note 5: Required on clamps as shown in lower left (Fig. 1).

Note 6: Required on clamps as shown in upper right (Fig 2).

MODEL 127B Z-PILE CLAMP

Assembly No. 800041

Manufactured late 1990s to early 2000s

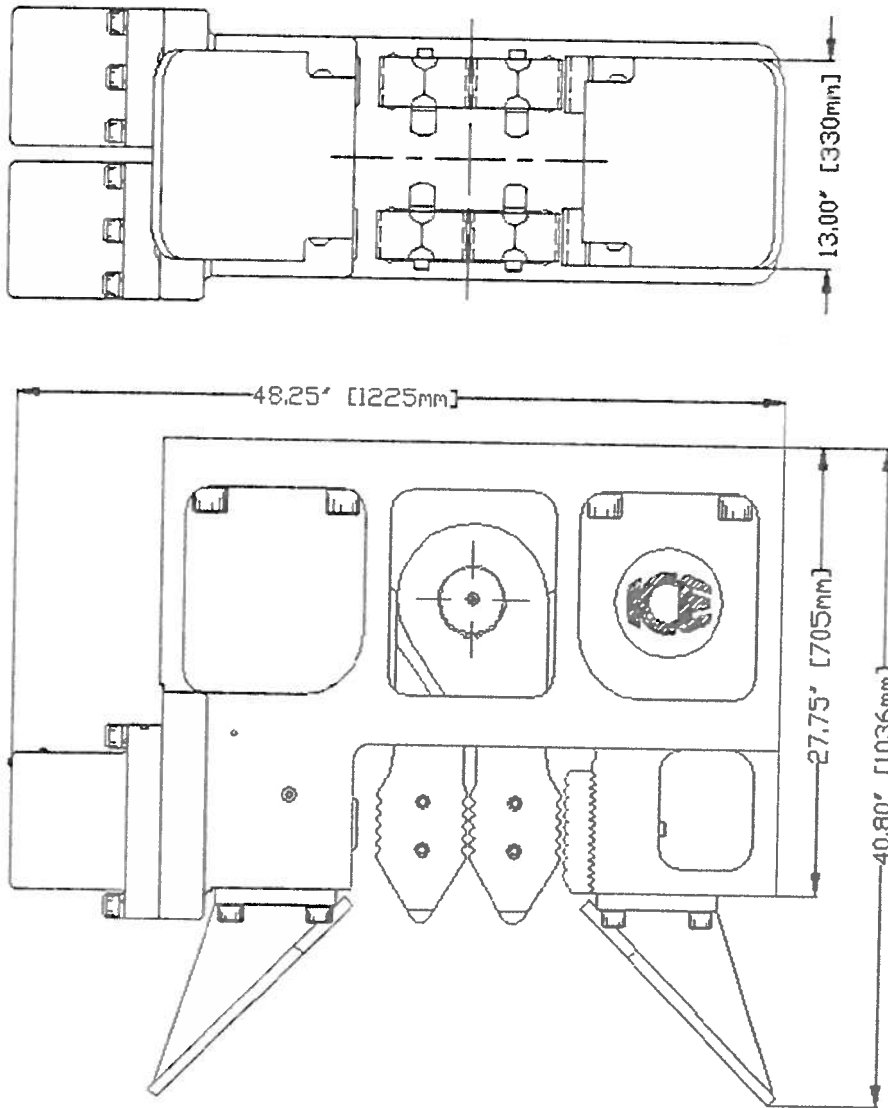
Serial numbers 254742 – 254744 (perhaps higher)

Replaced Model 127

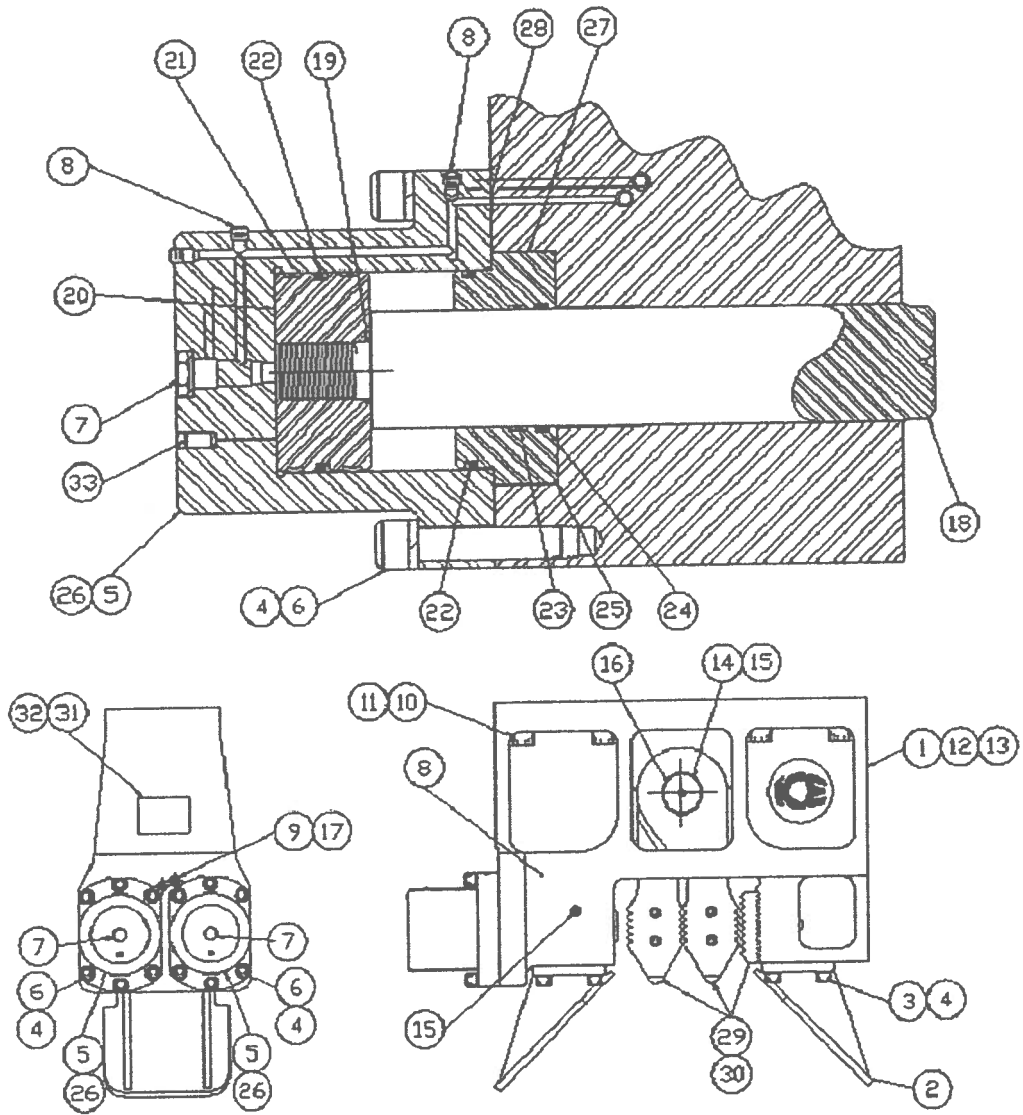
Clamping force - 126 tons at 5000 psi, 1120 kN at 345 bar

Weight - 3,190 lb, 1361 kg

Serial number location - Clamp serial number plate, stamped on clamp body and cylinder housing



MODEL 127B Z-PILE CLAMP



MODEL 127 Z-PILE CLAMP

Assembly No. 800041

Item	Part Number	Qty	Part Description
1	810615	1	127B Clamp body
2	120677	2	Pile guide
3	100213	8	1.00-8UNC X 2.50 SHCS
4	1X8512	20	1.00 Hi-Collar lock washer
5	120659	2	127B CYLINDER
6	100212	12	1.00-8UNC X 4.00 SHCS
7	120629	2	Holding valve cartridge
8	1X823	10	FITT2P-02P000000-000S001
9	100053	2	FITT2S-06M06R000-000H001
10	1X8548	8	USE 1X8548
11	1X8502	8	1.50 Lock washer extra heavy
12	100298	1	ICE Green paint
14	120155	1	Shaft
15	1X812	4	1/8" Grease fitting
16	120191	2	Retainer ring
17	120009	2	Hose (.38 X 96)
18	120663	2	Cylinder rod
19	120239	2	2-132 O-Ring
20	120241	2	Piston-127
21	120243	4	Piston bearing
22	120245	4	Piston seal
23	120665	2	Rod bearing (127B)
24	120667	2	Rod seal (127B)
25	120347	2	2-261 O-ring
26	810629	2	127B Seal kit (Includes items 19, 21-25,28)
19	120239	1	2-132 O-Ring
21	120243	2	Piston bearing
22	120245	2	Piston seal
23	120665	1	Rod bearing
24	120667	1	Rod seal
25	120347	1	2-261 O-ring
28	110602	2	-111 O-ring
27	120661	2	Rod end cap
29	800419	1	12" Multi-Grip jaw set (choose 12" or 13")
30	800417	1	13" Multi-Grip jaw set (choose 12" or 13")
31	120181	1	127 S/N Plate
32	1X1516	4	#10 X 3/8" Drive screw Type U
33	120761	2	Pointed set screw

MODEL 25 TIMBER/PIPE CLAMP

Assembly No. 720000

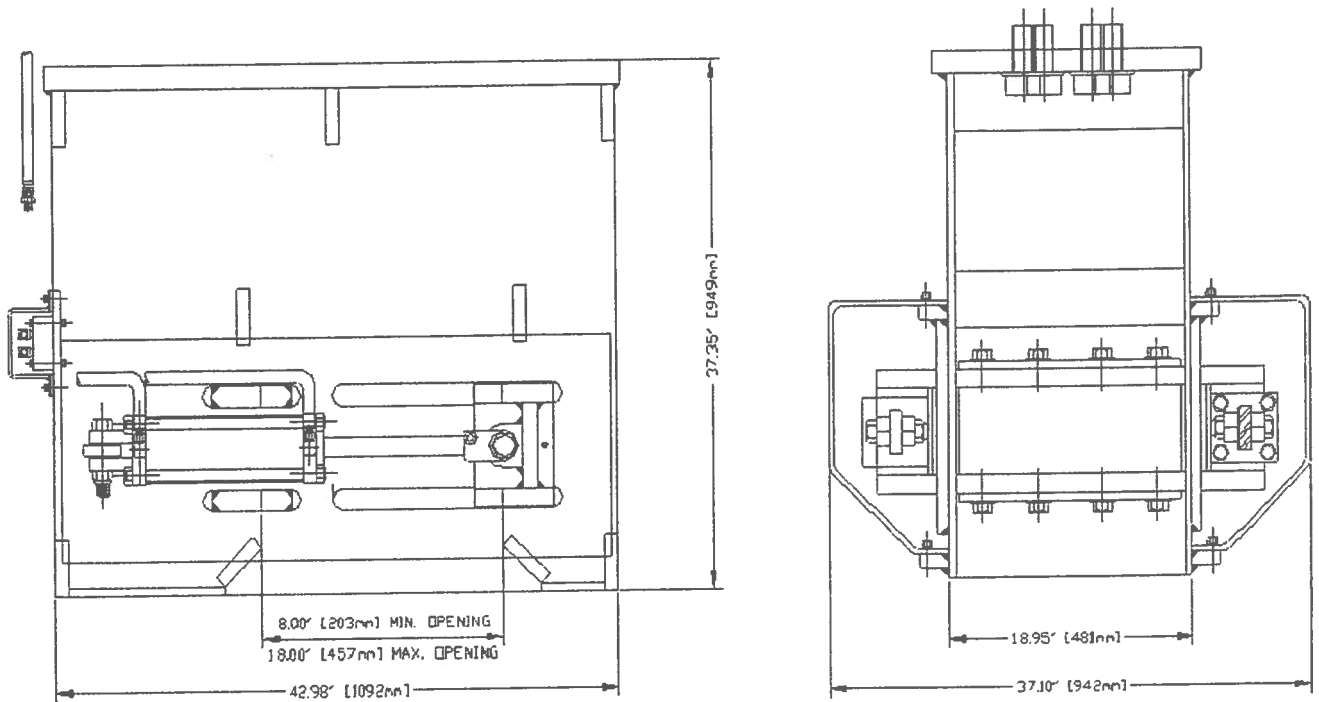
Manufactured Oct 80–Jul 04

Serial numbers 727701-C22985

Clamping force – 25 tons at 2500 psi, 222 kN at 172 bar

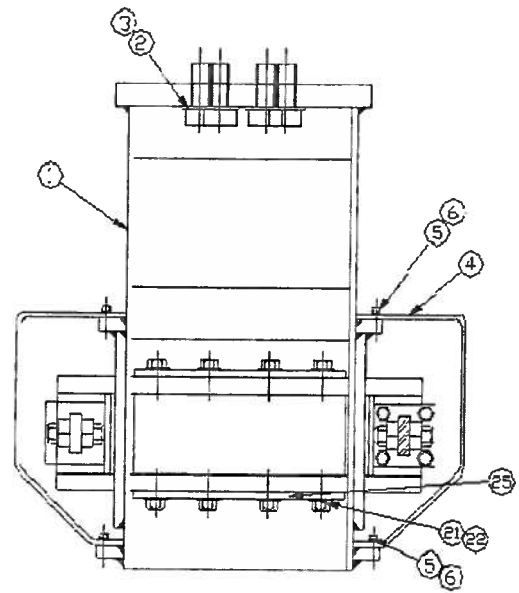
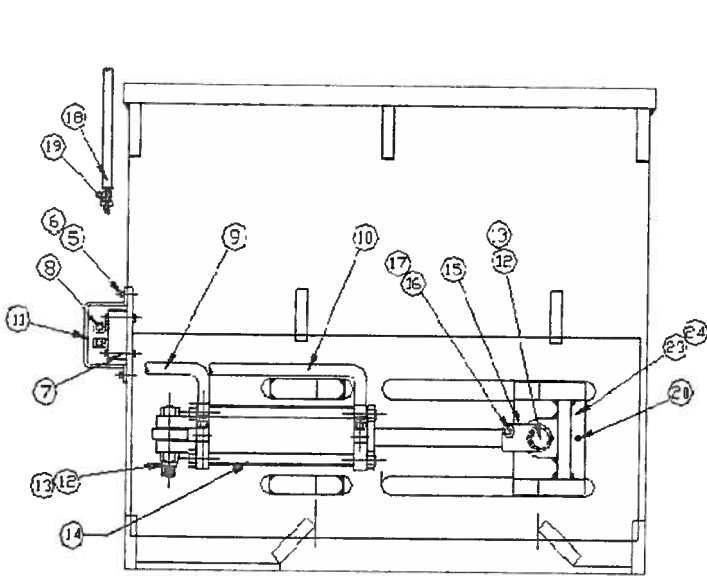
Weight – 2,509 lb, 1140 kg

Serial number location – Clamp serial number plate



720000-DIM

MODEL 25 TIMBER/PIPE CLAMP



720000-D

MODEL 25 TIMBER/PIPE CLAMP

Item	Part Number	Qty	Part Description
1	720001	1	Clamp body
2	1X8501	8	1.50-6UNC X 3.50 SHCS
3	1X8502	8	1.50 Lock washer extra heavy
4	720022	2	Cover assembly
5	1X3734	32	0.50-13UNC X 2.00 HHCS
6	1X3808	26	0.50-13UNC Hex Nyloc Nut
7	720003	1	Header block
8	1X8087	4	FITT2L-06M08P000-0000001
9	720006	2	28" Hose Assembly
10	720005	2	42" Hose Assembly
11	720004	1	Header block cover
12	1X2013	4	1.00-12UNF Hex Nyloc nut
13	1X2522	4	1.00-12UNF X 4.00 HHCS Gr 5
14	720002	2	Hydraulic cylinder
15	720019	2	Rod clevis
16	1X3755	2	0.50-13UNC X 4.00 HHCS Gr 5
17	1X30	2	0.50-13UNC Hex Nyloc nut
18	720031	2	14" Hose Assembly
19	1X1150	2	FITT2S-06M04P000-000H001
20	1X812	2	1/8" Grease fitting
21	1X3740	16	0.75-10UNC X 2.00 Hex HDCS Gr 5
22	1X32	16	0.75 Lock washer
23		1	Moveable jaw bracket
24			Moveable jaw sets available
	720027	2	Timber jaw
	720029	2	8" Pipe jaw
	720028	2	10" Pipe jaw
	720030	2	12 3/4" Pipe jaw
	720023	2	18" Pipe jaw

MODEL 40LP TIMBER/CONCRETE/PIPE CLAMP

Assembly No. 720087

Used on vibrators with clamp pressure below 4000 psi (275 bar)

Manufactured Mar 05 to present

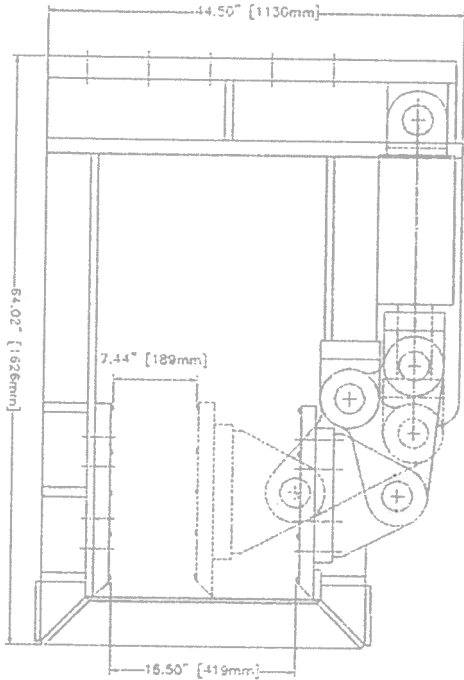
Serial numbers C40011 and up

Clamping force – 22 tons at 2200 psi, 195 kN at 152 bar

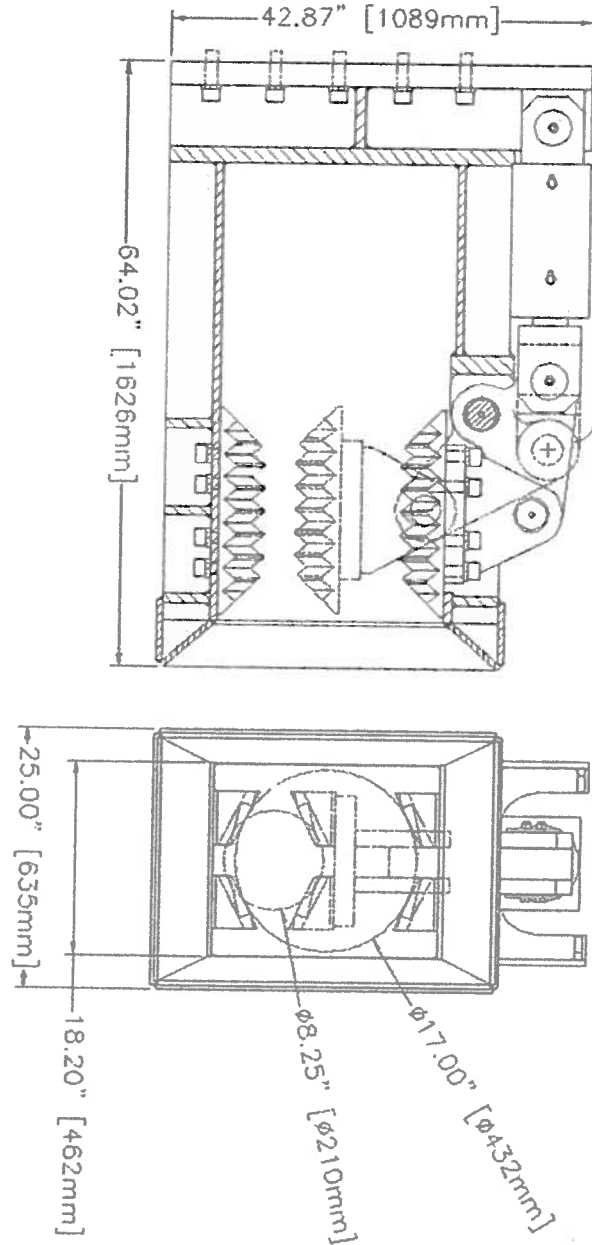
Weight – 3,220 lb, 1460 kg

Serial number location – Clamp serial number plate, stamped on both sides of top plate

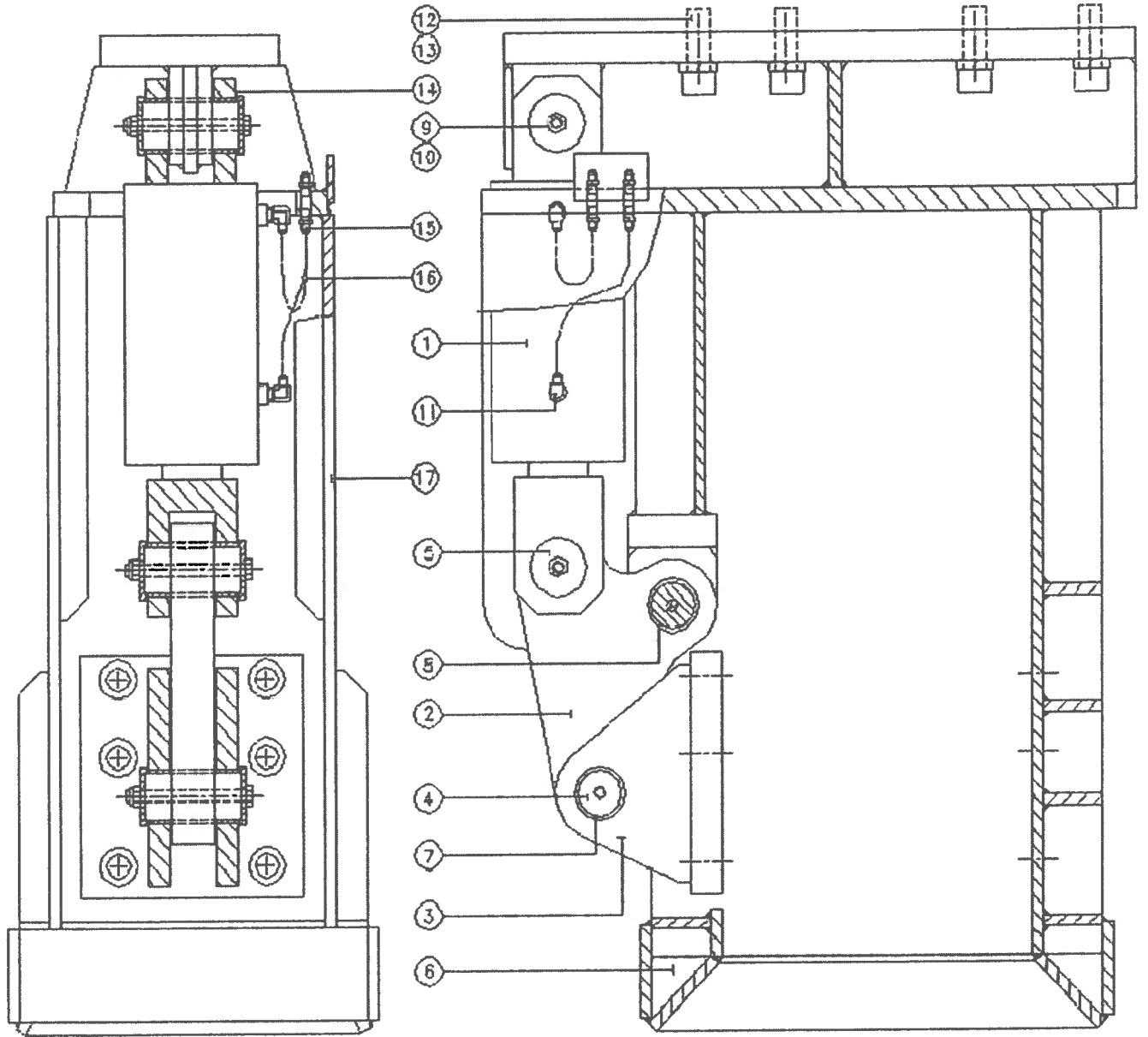
Concrete Jaws
720093



Timber Jaws
720088-DIM



MODEL 40LP TIMBER/CONCRETE/PIPE CLAMP



Assembly No. 720087

MODEL 40LP TIMBER/CONCRETE/PIPE CLAMP

Assembly No. 720087 (without jaws, see next page for jaws)

Item	Part Number	Qty	Part Description
1	720078	1	8" Hydraulic cylinder
	720175	1	Seal kit
2	720080	1	Link
3	720081	1	Jaw base
4	720082	4	Pin
5	720083	8	Washer
6	720084	1	Clamp frame
7	720085	8	1 1/2" Long spring bushing
8	720086	4	3" Long spring bushing
9	1X4512	4	0.75-10UNC X 8.00 HHCS Gr 5
10	1X4513	4	0.75-10UNC Hex Nyloc Nut
11	1X8086	2	FITT2L-06M08P000-0000001
12	1X8761	8	1.50-6UNC X 4.00 SHCS
13	1X8502	8	1.50 Lock washer extra heavy
14	1X8114	8	-234 O-Ring
15	1X1151	4	FITT2S-06M06P000-000H001
16	720132	2	HOSE038R02J006J006L01200
17	100298	1	ICE Green paint (gallon)

MODEL 40LP TIMBER/CONCRETE/PIPE CLAMP

Jaws and jaw bolts

Part Number	Qty	Description
Jaw bolts		
1X8502	12	1.5 Lock washer
1X8742	6	1.5-6UNC X 3.00 SHCS
1X8761	6	1.5-6UNC X 4.00 SHCS
Jaws		
720091	1	Set - Timber jaws
720043	1	Timber jaw - Right
720044	1	Timber jaw - Left
720093	1	Set - Concrete jaws
720046	1	Concrete jaw - Fixed
720046	1	Concrete jaw - Movable
720144	2	2" Pad for concrete jaws (See Note)
840188	1	Set - 10" Pipe jaws
720157	1	Pipe jaw - 10" Fixed
720158	1	Pipe jaw - 10" Movable
840189	1	Set - 10 3/4" Pipe jaws
720159	1	Pipe jaw - 10 3/4" Fixed
720160	1	Pipe jaw - 10 3/4" Movable
840190	1	Set - 12" Pipe jaws
720161	1	Pipe jaw - 12" Fixed
720162	1	Pipe jaw - 12" Movable
840191	1	Set - 12 3/4" Pipe jaws
720163	1	Pipe jaw - 12 3/4" Fixed
720164	1	Pipe jaw - 12 3/4" Movable
840192	1	Set - 14" Pipe jaws
720165	1	Pipe jaw - 14" Fixed
720166	1	Pipe jaw - 14" Movable
840193	1	Set - 16" Pipe jaws
720167	1	Pipe jaw - 16" Fixed
720168	1	Pipe jaw - 16" Movable
840194	1	Set - 17" Pipe jaws
720169	1	Pipe jaw - 17" Fixed
720170	1	Pipe jaw - 17" Movable

Note: Requires two pads plus longer bolts

MODELS 50 TIMBER/CONCRETE/PIPE CLAMPS

Model 50 Timber Clamp

Assembly No. 800237

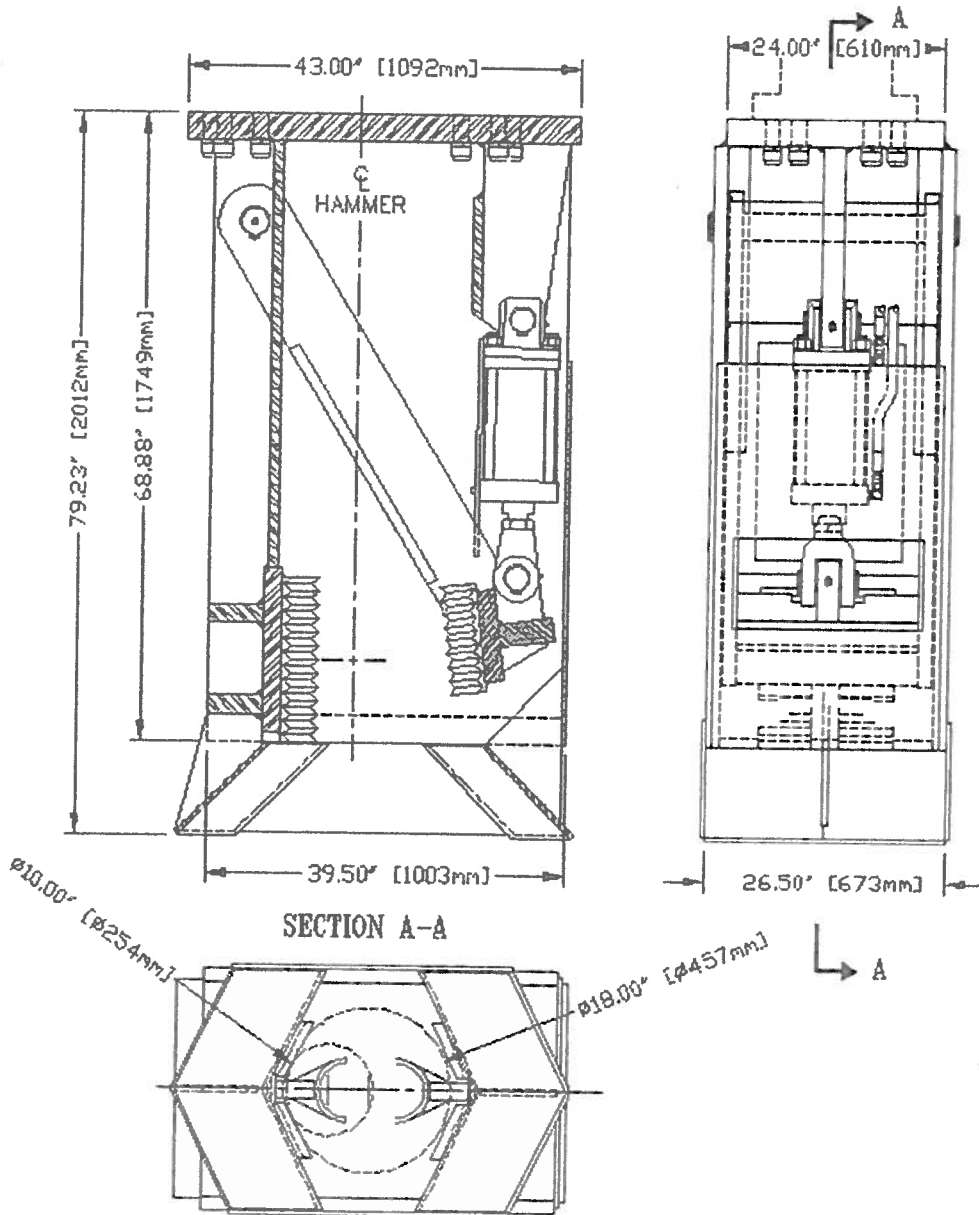
Manufactured 1988 to 1997, Serial numbers 352001 to 352021

Clamping force – 19-22.5 tons at 2000 psi, 169-200 kN at 138 bar

Replaced by Model 55

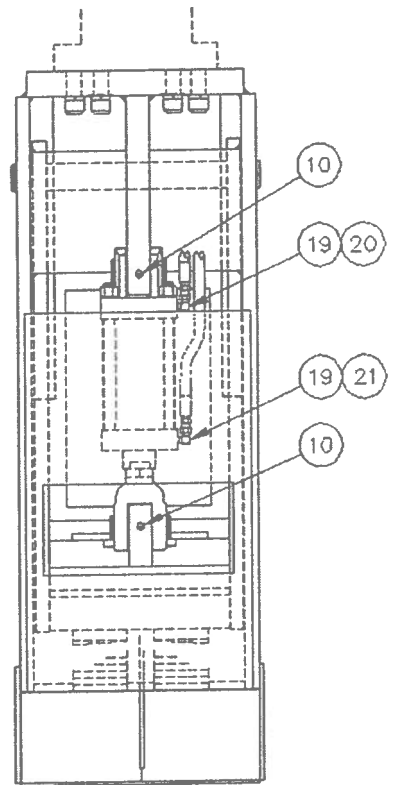
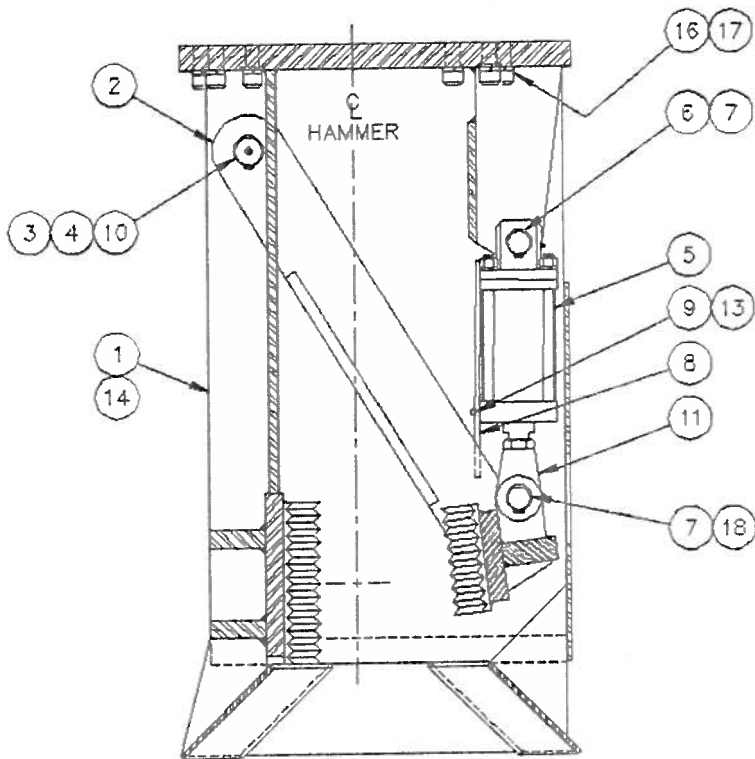
Weight – 5,600 lb, 2540 kg

Serial number location – Clamp serial number plate, stamped on both sides of top plate



800237-DIM

MODELS 50 TIMBER/CONCRETE/PIPE CLAMPS



800237

MODELS 55 & 55B TIMBER/CONCRETE/PIPE CLAMPS

Model 55 Timber/Concrete/Pipe Clamp

Assembly No. 830241

Manufactured in 1997, Serial numbers C55002 to C55004

Replaced Model 50, replaced by Model 55B

Clamping force – up to 53 tons at 4300 psi, 471 kN at 297 bar

Weight – 4,825 lb, 2189 kg

Serial number location – Clamp serial number plate, stamped on both sides of top plate

Model 55B Timber/Concrete/Pipe Clamp

Assembly No. 830253

Manufactured 1197 to 2003

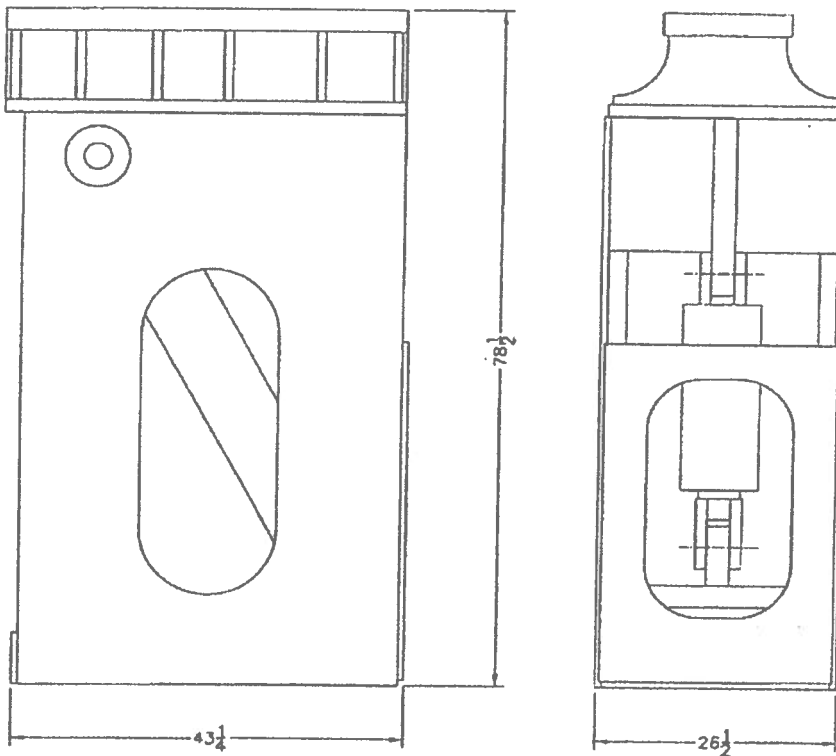
Serial numbers C55001, C55005 to C55045

Replaced Model 55

Clamping force – up to 53 tons at 4300 psi, 471 kN at 297 bar

Weight – 4,825 lb, 2189 kg

Serial number location – Clamp serial number plate, stamped on both sides of top plate



GRIPPING FORCE UP TO 53 TONS @ 4300 P.S.I.

FOR CONCRETE PILES UP TO 20".
WEIGHT WITH CONCRETE PILE JAWS : 4940 LBS.

FOR WOOD PILES 8" TO 19".
WEIGHT WITH WOOD PILE JAWS : 4970 LBS.

PIPE PILE INSERTS AVAILABLE UP TO 18".

MODELS 55 TIMBER/CONCRETE/PIPE CLAMPS

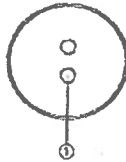
Item	Part Number	Qty	Part Description
1	120459	1	Frame weldment
2	120461	1	Swing arm
3	120463	1	Swing arm pin
4	120467	1	Rod clevis
5	120469	1	Cylinder guard
6	120517	1	Cylinder pin
7	140103	2	Retaining ring
8	810325	1	Cylinder
	810327	1	Seal kit
9	100125	2	0.437-14UNC X 1.50 SHCS (PATCH)
10	100443	2	0.4375 Lock washer
11	120465	1	Cylinder pin
13	130057	2	FITT2L-06M06R000-000H001
14	130173	1	HOSE038R02J006J006L11000
16	300211	4	Retaining Ring
17	1X812	4	1/8" Grease fitting
18	130175	1	HOSE038R02J006J006L11500
19	1X8502	8	1.50 Lock washer extra heavy
20	1X8548	8	1.50-6UNC X 5.00 SHCS
21	100298	1	ICE Green paint (gallon)

MODELS 55 & 55B TIMBER/CONCRETE/PIPE CLAMPS

ITEM	PART NUMBER	QTY	DESCRIPTION
1	1X812	4	Lube Fitting 1/8"

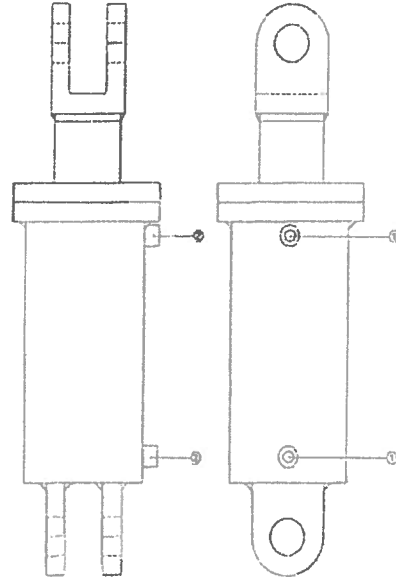


Pivot Pin 720047



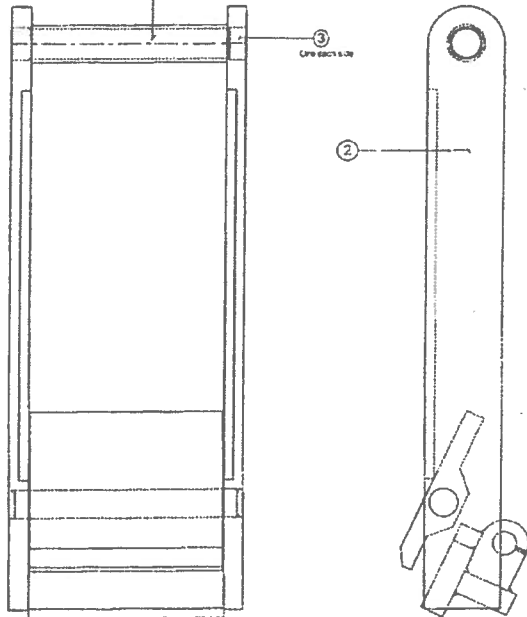
ITEM	PART NUMBER	QTY	DESCRIPTION
1	1X8046	2	1/2" Male NTP x 6 JIC Male Elbow
2	720053	1	Hydraulic Hose
3	720052	1	Hydraulic Hose

Part Number	Hose Size	Type	Length	Swaged Fittings
720052	3/8"	2-Wire Hydraulic	20"	#6 JIC Female Swivel
720053	3/8"	2-Wire Hydraulic	15"	#6 JIC Female Swivel



720049 Hydraulic Cylinder Working Pressure 4300 psi.

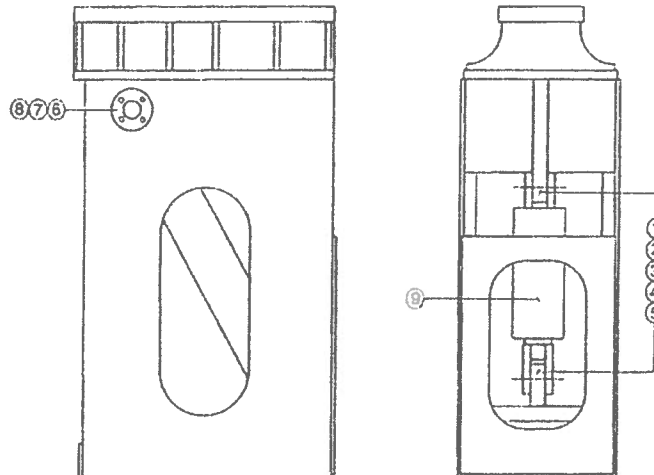
ITEM	PART NUMBER	QTY	DESCRIPTION
1	720047	1	Pivot Pin
2	720038	1	Moveable Jaw Assembly
3	1X8743	2	Spring Bushing



720055 Moving Jaw Assembly

ITEM	PART NUMBER	QTY	DESCRIPTION
1	1X812	2	Lube Fitting 1/8"
2	720050	2	Clevis Pin
3	1X4771	2	3/4" UNC HHCS x 7"
4	1X8708	2	3/4" 10 Flex Nut
5	720051	4	Washer
6	720048	2	Keep Plate
7	1X4060	8	3/4" UNC SHCS x 2"
8	1X8743	2	Spring Bushing
9	720049	1	Hydraulic Cylinder

Item 8 takes one on each side.



MODELS 55 & 55B TIMBER/CONCRETE/PIPE CLAMPS

Part Number	Qty	Description
720037	1	Clamp frame
720049-4	1	Seal kit
Clamp bolts		
1X8502	8	1.5 Lock washer
1X8548	8	1.5-6UNC X 5.00 SHCS
Jaw bolts		
1X8502	12	1.5 Lock washer
1X8742	6	1.5-6UNC X 3.00 SHCS
1X8761	6	1.5-6UNC X 4.00 SHCS
Jaws		
720043	1	Timber jaw - Fixed
720044	1	Timber jaw - Movable (See Note 1)
720046	1	Concrete jaw - Fixed
720054	1	Concrete jaw - Movable (See Note 2)
720144	2	2" Pad for concrete jaws (See Note 3)
720069	1	10" Pipe jaws - fixed or movable
720058	1	10 3/4" Pipe jaw - fixed or movable
720057	1	12" Pipe jaws - fixed or movable
720059	1	14" Pipe jaw - fixed or movable
720071	1	16" Pipe jaws - fixed or movable
720067	1	17" Pipe jaw - fixed or movable

Note 1: Model 55 & 55B Clamps come with 720038 Arm with 720054 Jaw welded on. Replacement jaw is 720054.

Note 2: Model 55 comes with 720038 Arm with 720044 Jaw welded on. Replacement jaw is 720044.

Note 3: Requires two pads plus longer bolts

MODEL 80 CAISSON CLAMP

Assembly No. None

Manufactured Mar 77 to Jan 02

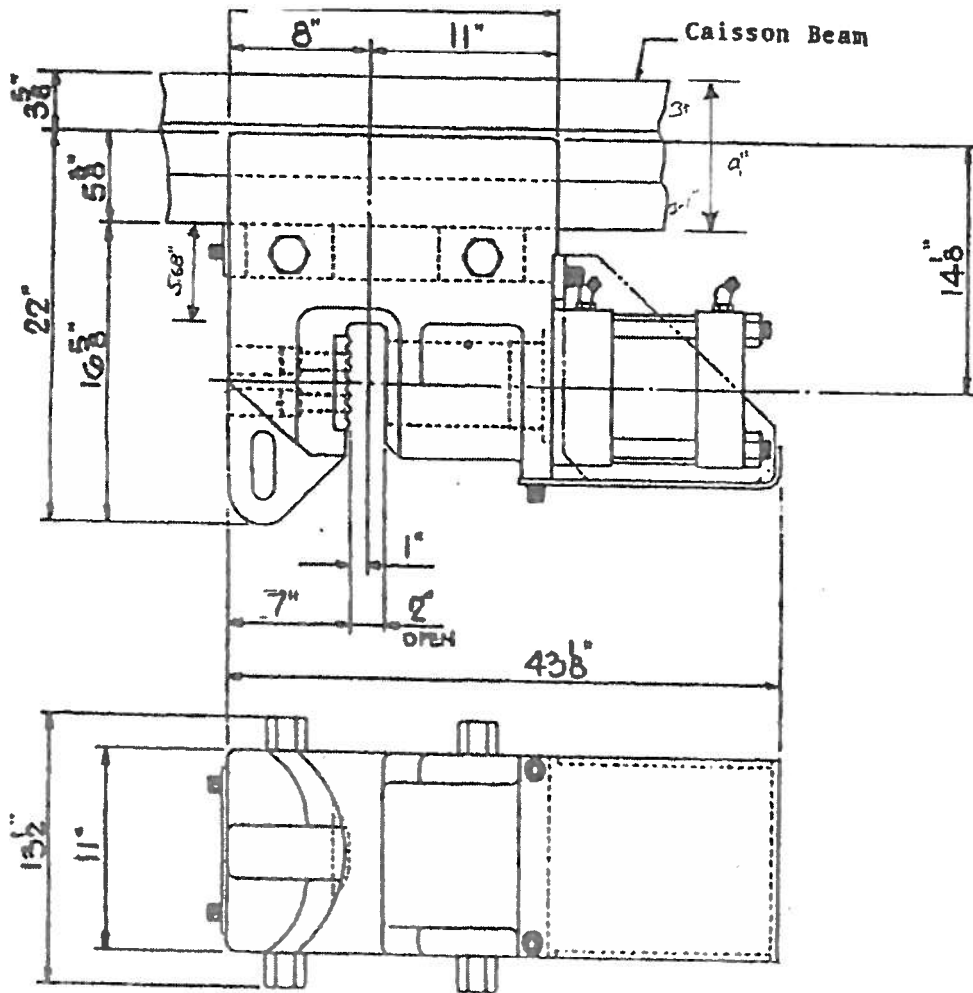
Serial numbers 252700 to 252892

Replaced by Model 80B

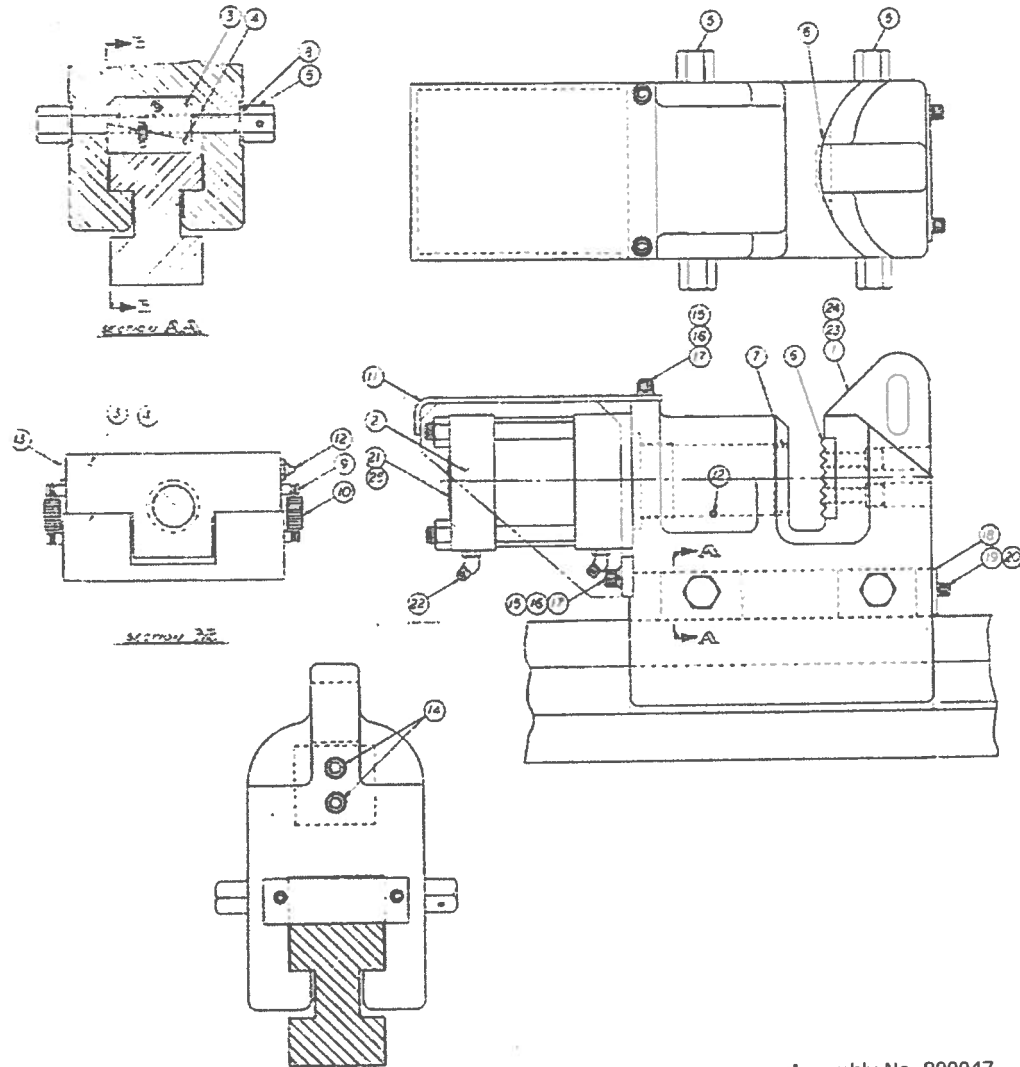
Clamping force – 92 tons at 4800 psi, 818 kN at 330 bar

Weight – 960 lb, 436 kg

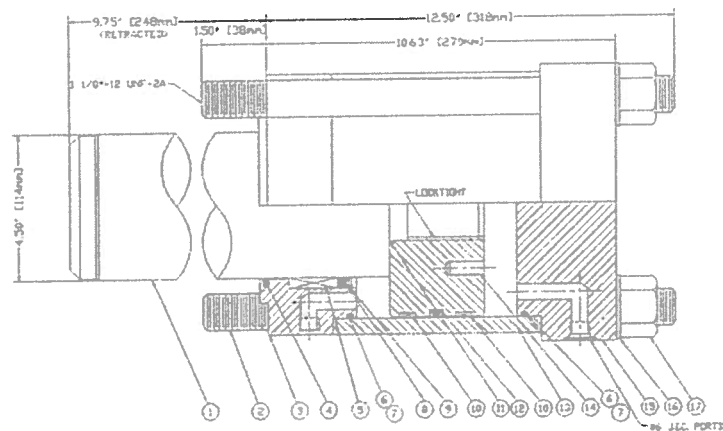
Serial number location – Clamp serial number plate, stamped on clamp body and cylinder housing



MODEL 80 CAISSON CLAMP



Assembly No. 800047



Assembly No. 810221

MODEL 80 CAISSON CLAMP

Item	Part Number	Qty	Part Description
1	810061	1	Clamp body
2	810221	1	Cylinder
	810125	1	Seal kit (See Note 1)
	810133	1	Seal kit (See Note 2)
	810227	1	Seal kit (See Note 3)
3	120101	2	Wedge
4	120103	2	Lock
5	810109	2	Screw assembly
6	120107	1	Fixed jaw
7	120109	1	Moveable jaw
8	120111	4	Washer
9	120113	8	Drive pin
10	120115	4	Spring
11	120117	1	Cylinder guard
12	100229	3	Grease fitting
13	100646	2	Pipe plug
14	400157	2	SHCS (5/8-11 X 2-3/4)
15	400069	4	SHCS (3/4-10 X 2)
16	100069	4	Lock washer (3/4)
17	100589	2	Flat washer(3/4)
18	120119	1	Wedge guard
19	100119	2	SHCS (1/2 -13 X 1 ¼)
20	100121	1	Lock washer (1/2)
21	120159	1	Clamp label
22	130057	2	FITT2L-06M06R000-000H001
25	130381	4	Rivet

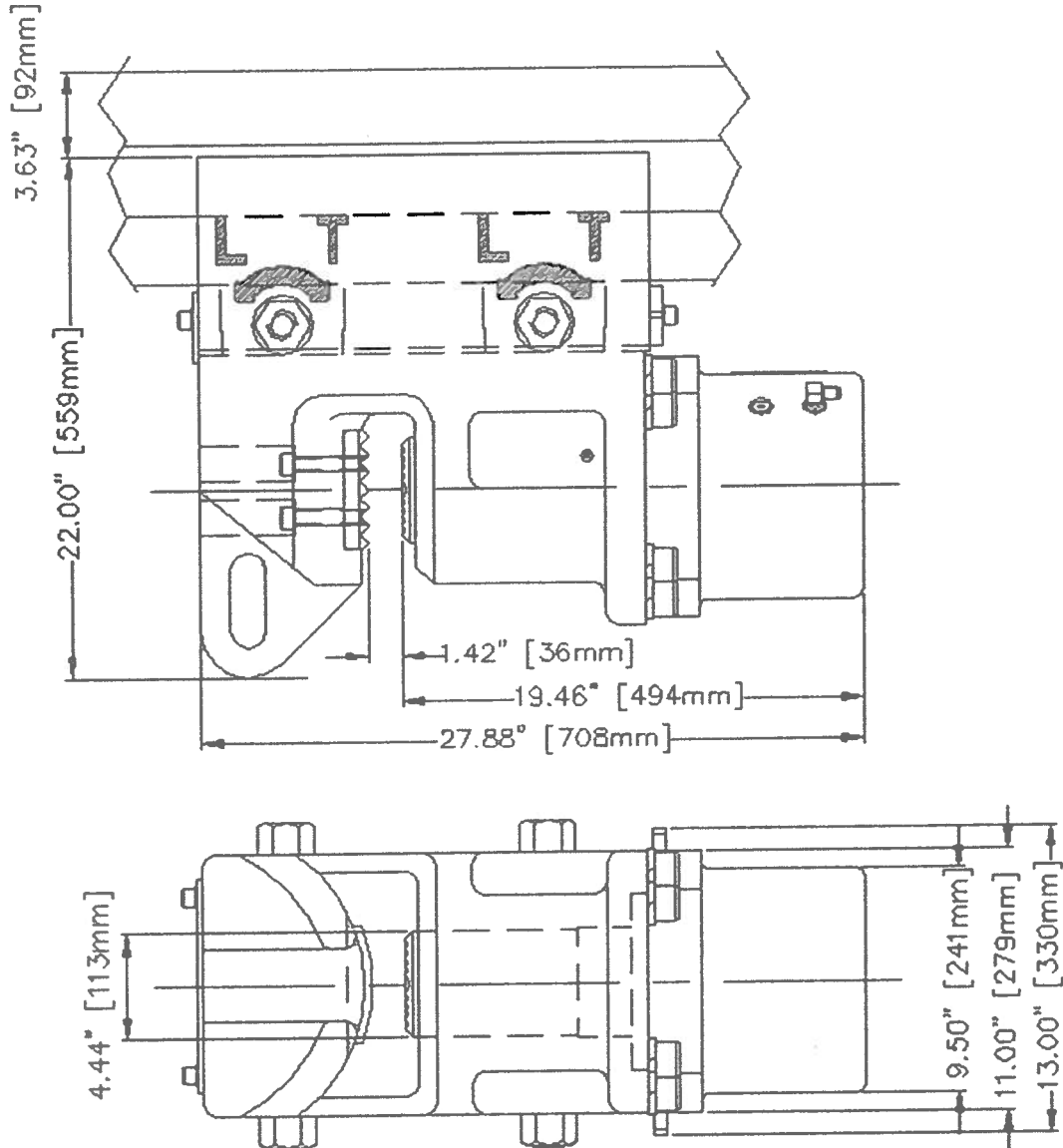
Note 1: Required on clamp serial numbers up to and including 252714.

Note 2: Required on clamp serial numbers 252715 through 252736.

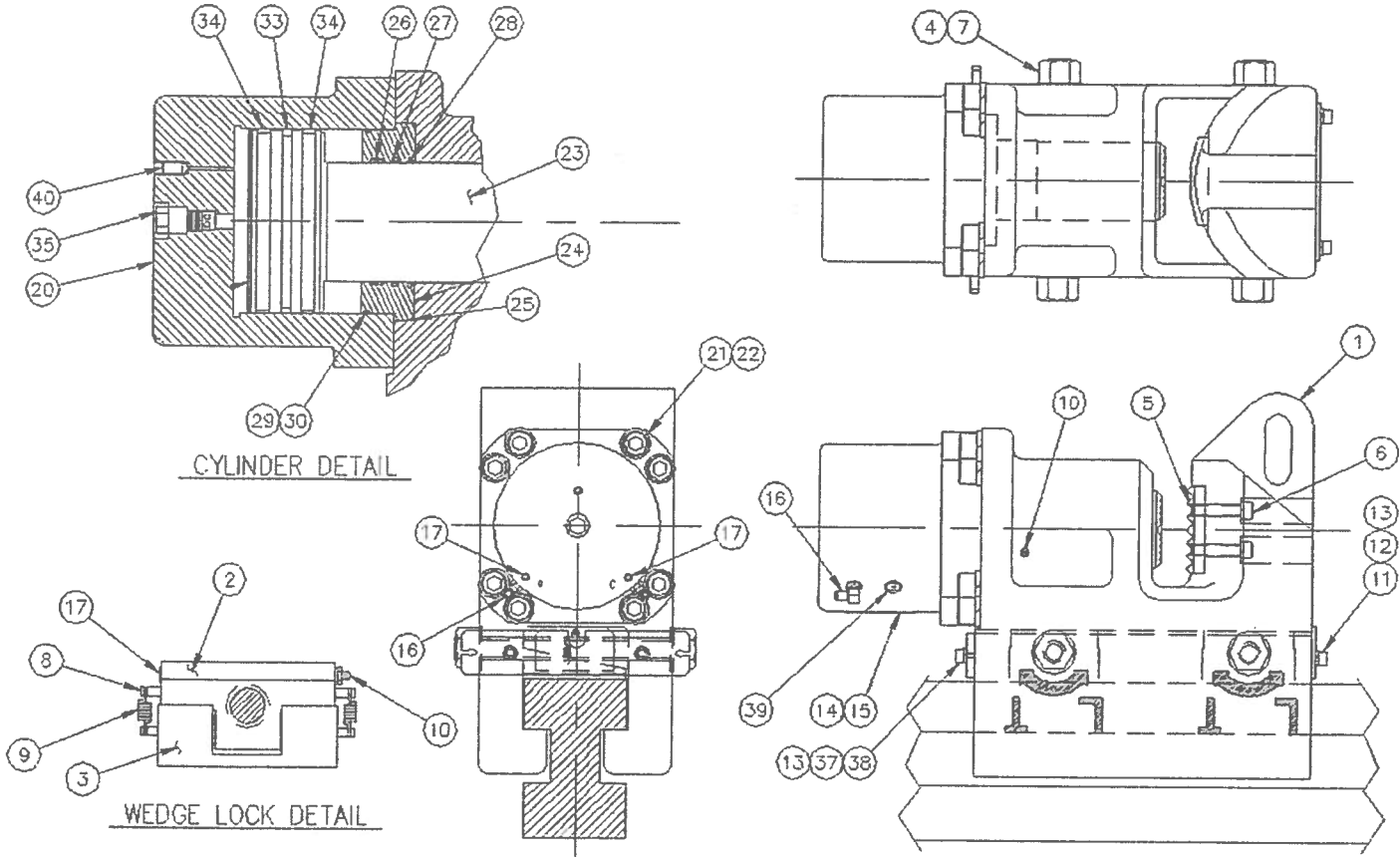
Note 3: Required on clamp serial numbers 252737 and above.

MODEL 80B CAISSON CLAMP

Assembly No. 800047
Manufactured Feb 02 to present
Serial numbers C53255 and up
Replaces Model 80
Clamping force – 92 tons at 4800 psi, 818 kN at 330 bar
Weight – 830 lb, 376 kg
Serial number location – Clamp serial number plate, stamped on clamp body and cylinder housing



MODEL 80B CAISSON CLAMP



Assembly No. 800047

MODEL 80B CAISSON CLAMP

Item	Part Number	Qty	Part Description
1	810061	1	Clamp body
2	120101	2	Wedge
3	120103	2	Lock
4	810109	2	Screw assembly
5	120107	1	Fixed Jaw
6	401000	2	0.625-11UNC X 2.75 SHCS
7	120111	4	1.25 HS Washer (Set of 4)
8	120113	8	Drive pin
9	120115	4	Spring
10	1X812	3	1/8" Grease fitting
11	120119	1	Wedge guard
12	100119	2	0.50-13unc X 1.25 SHCS
13	100121	4	0.50 Lock Washer
14	730045	1	Clamp serial number plate
15	1X1516	4	#10 X 3/8" Drive screw Type U
16	130057	2	FITT2L-06M06R000-000H001
17	1X823	6	FITT2P-02P000000-000S001
20	120621	1	Hydraulic Cylinder
21	100212	8	1.00-8UNC X 4.00 SHCS
22	1X8512	8	1.00 Hi-Collar Lock Washer
23	730531	1	Piston & rod (See Note 1)
24	120623	1	Rod End Cap (80B)
	810611	1	Seal Kit (includes items 25-34)
25	120100	1	2-263 O-ring
26	120627	1	Rod bearing
27	120625	1	Rod seal
28	120345	1	Rod wiper
29	120347	1	2-261 O-ring
30	120349	1	261 Back-up ring
33	120357	1	Piston seal
34	120355	2	Piston bearing
35	120629	1	Holding valve cartridge
37	120751	1	Chain anchor plate
38	100513	2	0.50-13UNC X 1.50 SHCS PL
39	400992	1	FITT2P-06R000000-000S001
40	120761	1	Pointed set screw

Note 1: Older clamps have separate piston and rod.

120313	1	Piston
120631	1	Rod
120281	1	2-140 O-ring

Assembly No. 800047

MODEL 80BH CAISSON CLAMP WITH HYDROLOCK

Assembly No. 800413

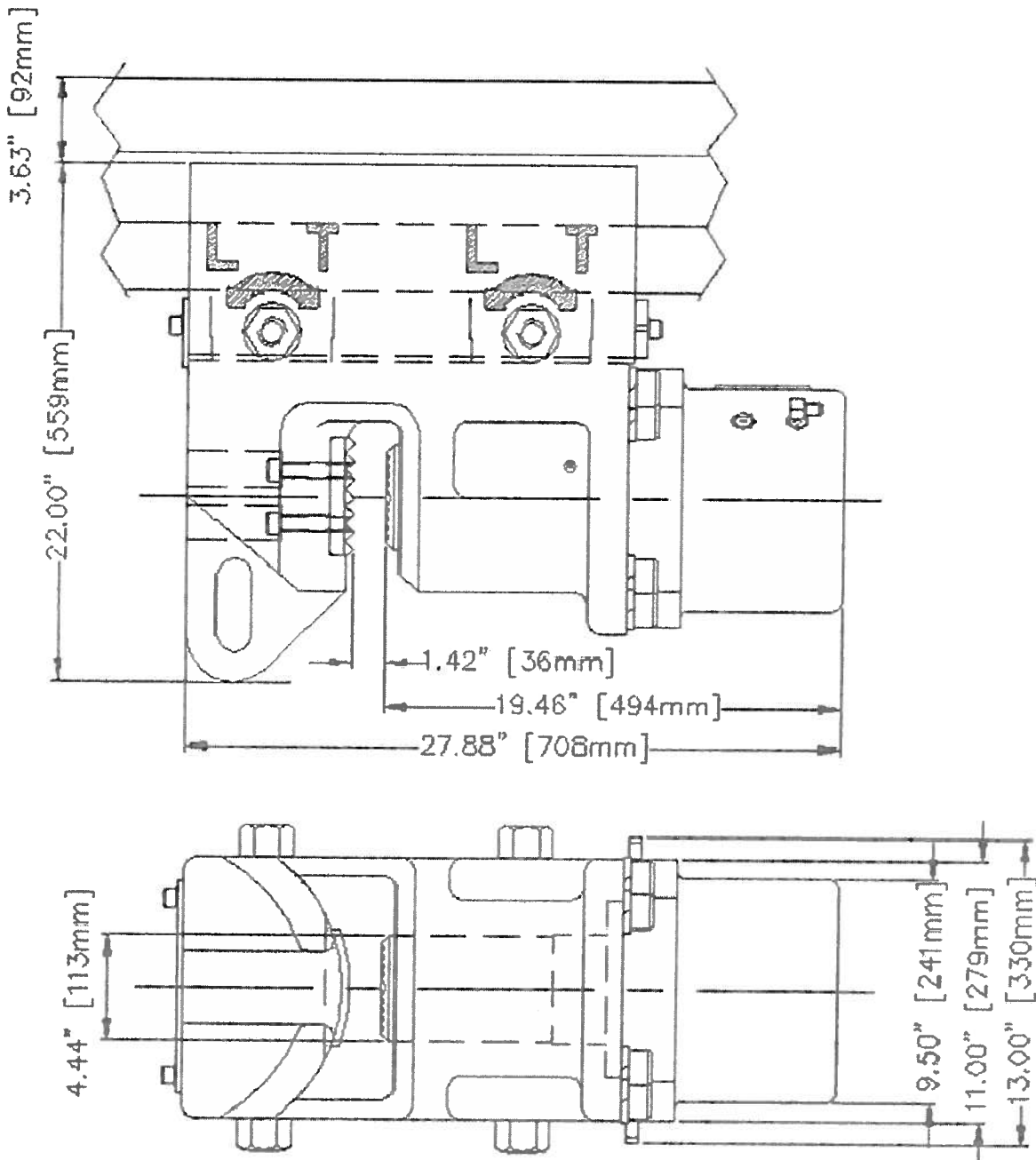
Manufactured Feb 02 to present

Serial numbers C53255 and up

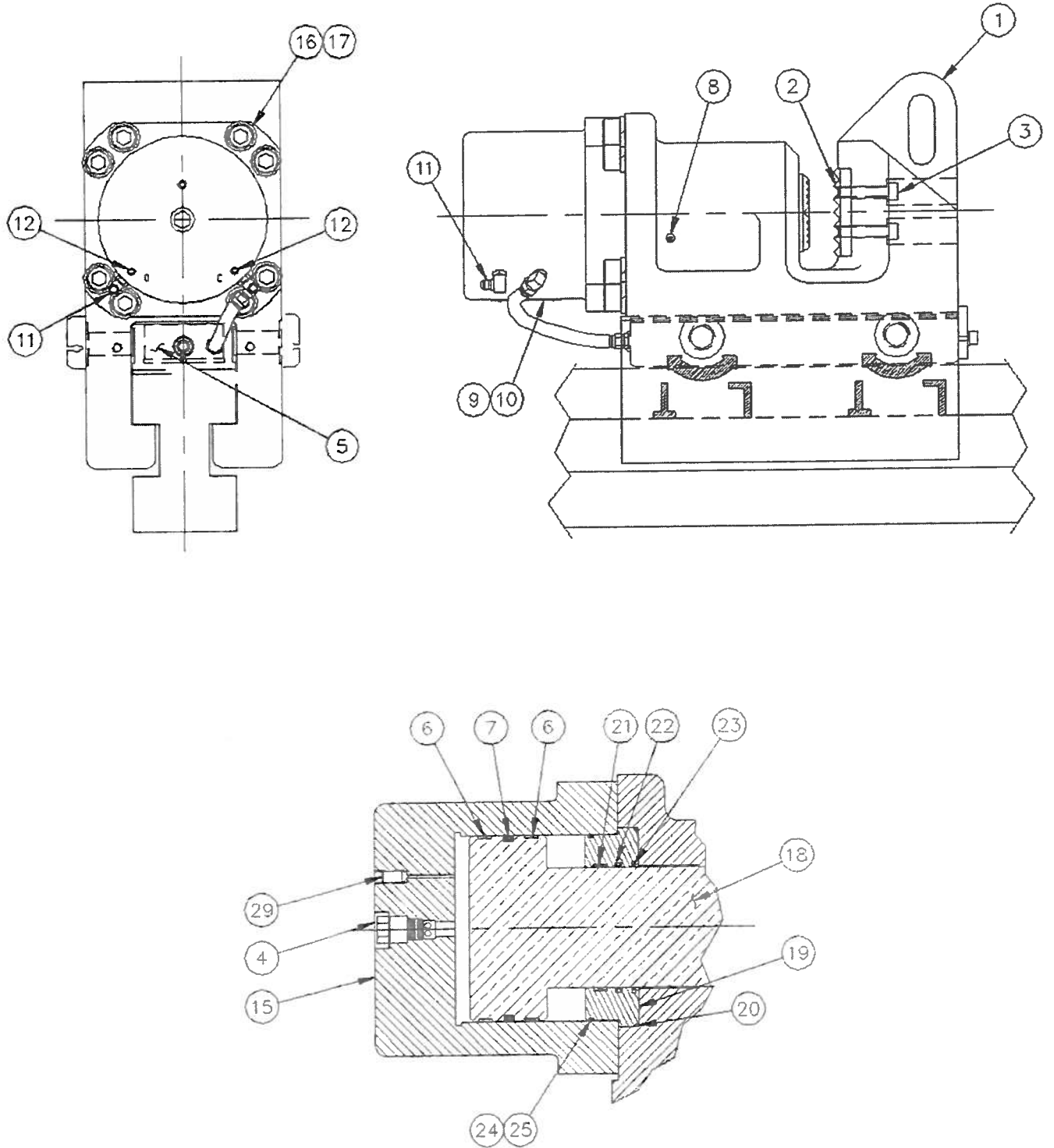
Clamping force – 92 tons at 4800 psi, 818 kN at 330 bar

Weight – 964lb, 437 kg

Serial number location – Clamp serial number plate, stamped on clamp body and cylinder housing



MODEL 80BH CAISSON CLAMP WITH HYDROLOCK



MODEL 80BH CAISSON CLAMP WITH HYDROLOCK

Assembly No. 800413

Item	Part Number	Qty	Part Description
1	810061	1	Clamp body
2	120107	1	Fixed Jaw
3	400157	2	0.625-11 UNC X 2.75 SHCS
4	120629	1	Holding valve cartridge
5	800399	1	100 BHL HydroLock Assembly
	810611	1	80B Seal kit (Includes items 6,7,20-25)
6	120355	2	Piston bearing
7	120357	1	Piston seal
20	120100	1	2-263 O-Ring 90 DURO
21	120627	1	Rod bearing (80B)
22	120625	1	Rod seal (80B)
23	120345	1	Rod wiper
24	120347	1	2-261 O-ring
25	120349	1	261 Back-up ring
8	1X812	2	1/8" Grease fitting
9	730045	1	Clamp serial number plate
10	1X1516	4	#10 X 3/8" Drive screw Type U
11	130057	1	FITT2L-06M06R000-000H001
12	1X823	8	FITT2P-02P000000-000S001
15	120621	1	Cylinder housing
16	100212	8	1.00-8UNC X 4.00 SHCS
17	1X34	8	1.00 Lock Washer (Medium)
18	730531	1	Rod & piston assembly (One-piece)
19	120623	1	Rod end cap
29	120761	1	Pointed set screw

MODEL 122 CAISSON CLAMP

Assembly No. 800153

Manufactured Sep 79 to Jan 88

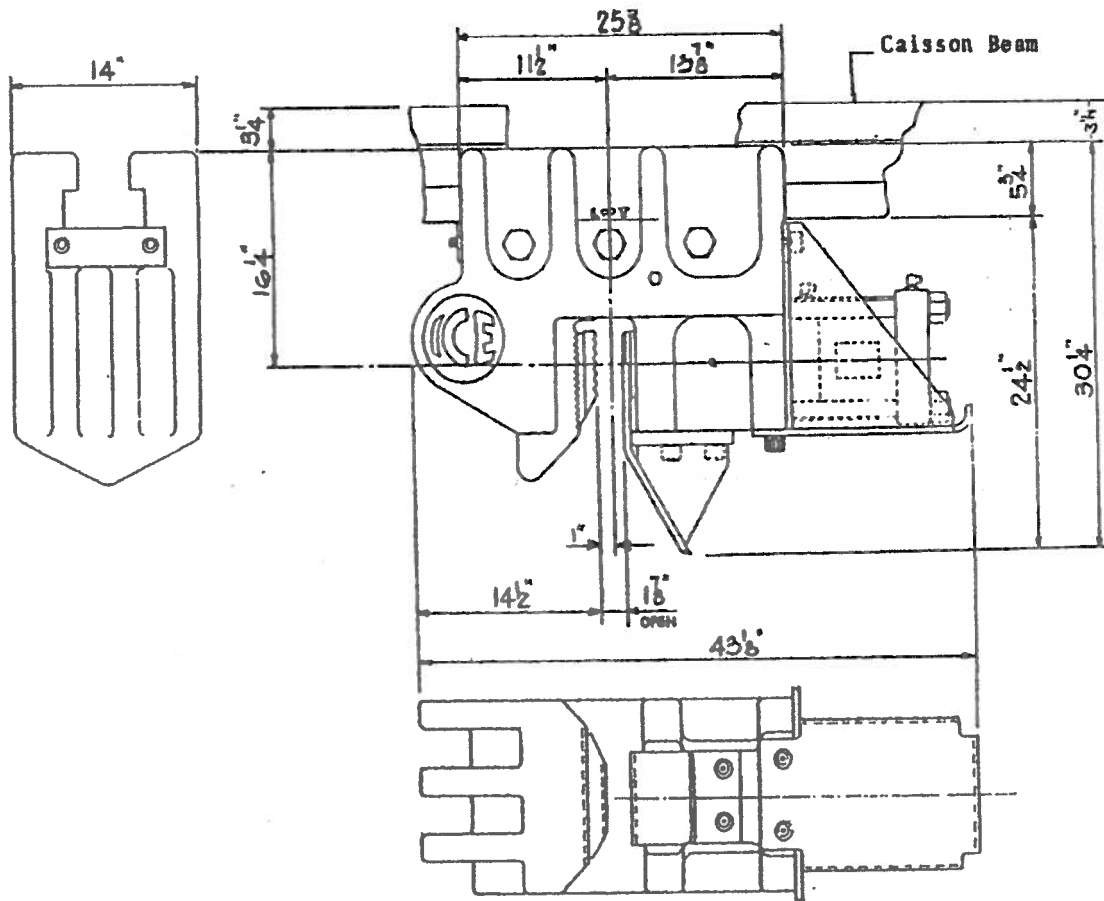
Serial numbers 256000 to 252016

Replaced by Model 122B

Clamping force – 126 tons at 5000 psi, 1120 kN at 345 bar

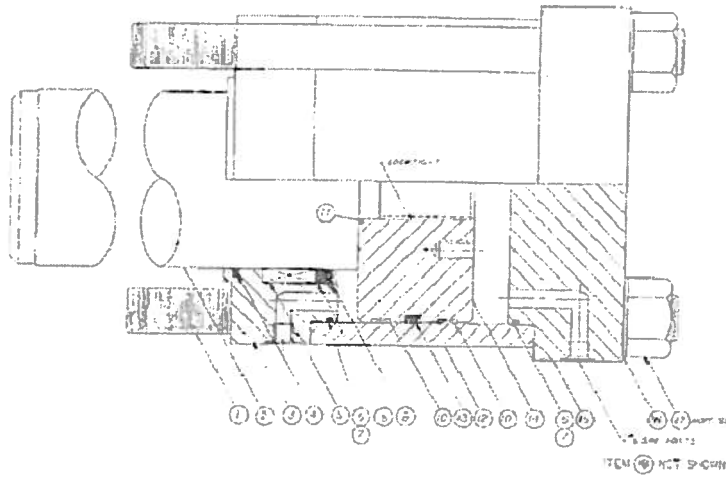
Weight – 2,080 lb, 943 kg

Serial number location – Clamp serial number plate, stamped on clamp body and cylinder housing

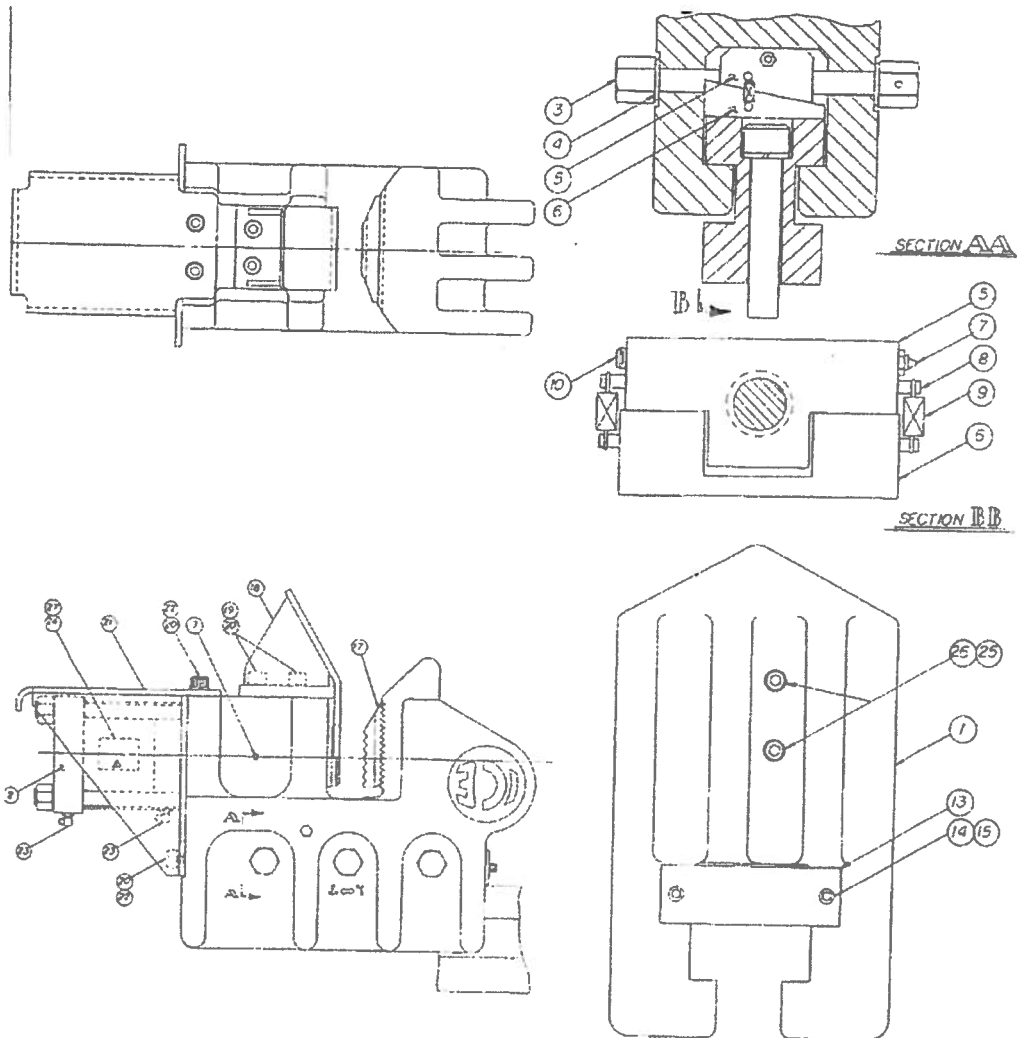


MODEL 122 CAISSON CLAMP

Assembly No. 810187



Assembly No. 800153



MODEL 122 CAISSON CLAMP

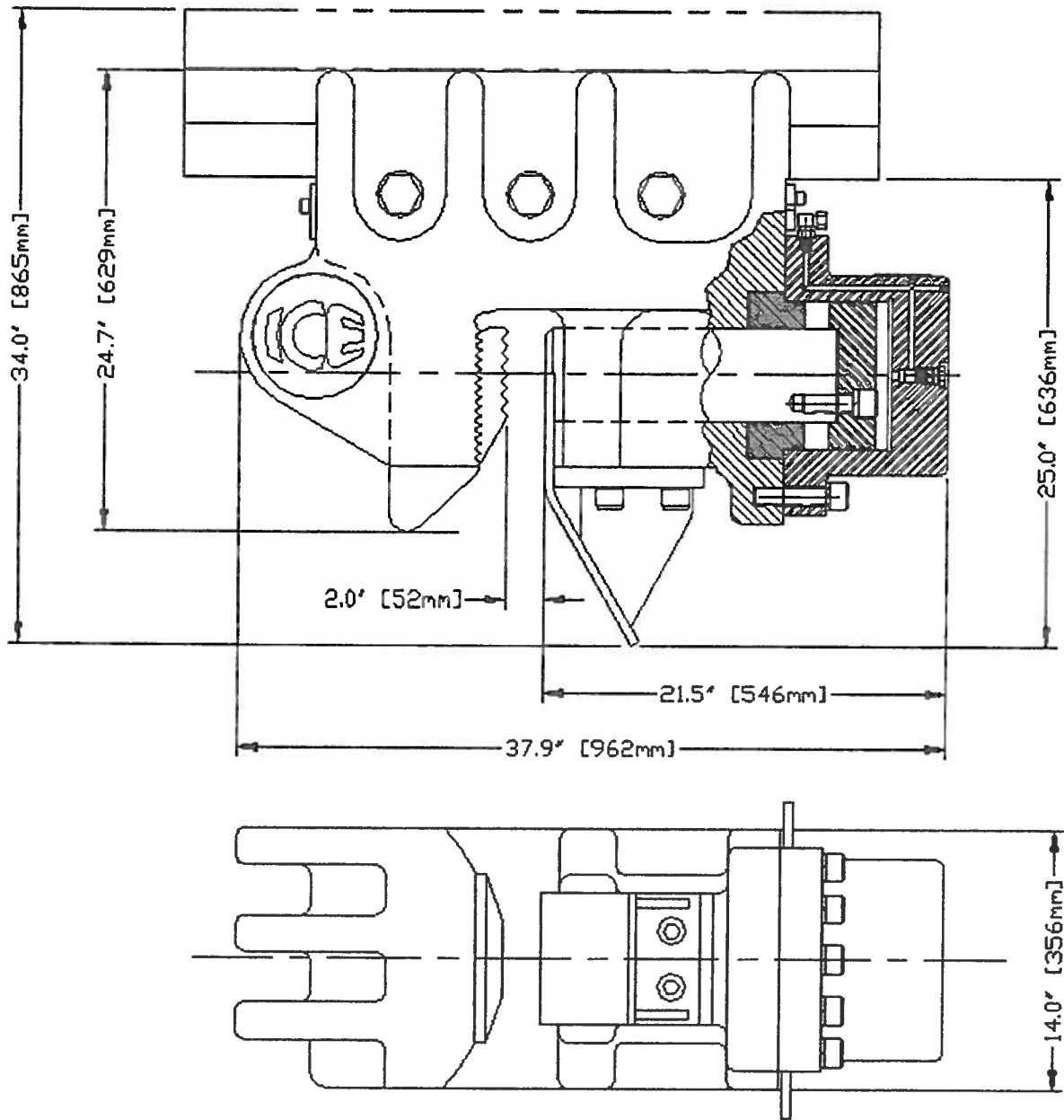
Assembly No. 800187

Item	Part Number	Qty	Part Description
1	120269	4	Tie rod
2	120273	1	Cylinder rod - 122
3	120265	1	Rod end cap - 122
	810213	1	Caisson 122 Seal kit (includes 4-11,13)
4	120289	1	Rod wiper
5	120267	1	Rod bushing - 216, 122
6	120277	2	2-265 O-Ring 90 DURO
7	120279	2	265 Back-up ring PC TEFLON
8	120287	1	Rod seal
9	120291	1	Retaining ring
10	120285	2	Piston bearing
11	120281	1	2-140 O-Ring
12	120275	1	Cylinder tube - 125/6, 122
13	120283	1	Piston seal
14	120271	1	Piston - 125/6, 122
15	120263	1	Piston end cap - 125/6, 122
16	120111	4	1.25 H. S. lat washer
17	120301	4	1.25-12 H. S. Hex nut

Assembly No. 800153

Item	Part Number	Qty	Part Description
1	810183	1	122 Caisson head
2	810187	1	Caisson 122 Cylinder
3	810109	3	Screw assembly
4	120111	6	1.25 H. S. Flat washer
5	120101	3	Wedge
6	120103	3	Lock
7	100229	4	Grease fitting
8	120113	12	.25 x 1 Type G Drive pin
9	120115	6	Spring
10	100646	3	FITT2P-02P000000-000S007
12	100298	1	ICE Green paint (gal)
13	120119	1	Wedge guard
14	100119	2	0.50-13UNC X 1.25 SHCS LOC WEL
15	100121	2	0.50 Lock washer medium
17	120261	1	Fixed jaw
18	120259	1	Caisson head guid
19	100213	4	1.0-8UNC X 2.50 SHCS LOC WEL
20	100209	8	1.00 Lock washer medium
21	120293	1	Cylinder guard
22	400401	4	1.0-8UNC X 2.0 SHCS
23	130057	2	FITT2L-06M06R000-000H001
24	730045	1	Clamp serial number plate
25	100007	2	.625 Lock washer medium
26	100773	2	.625-11UNC X 4.5 SHCS
27	1X1516	4	Rivet

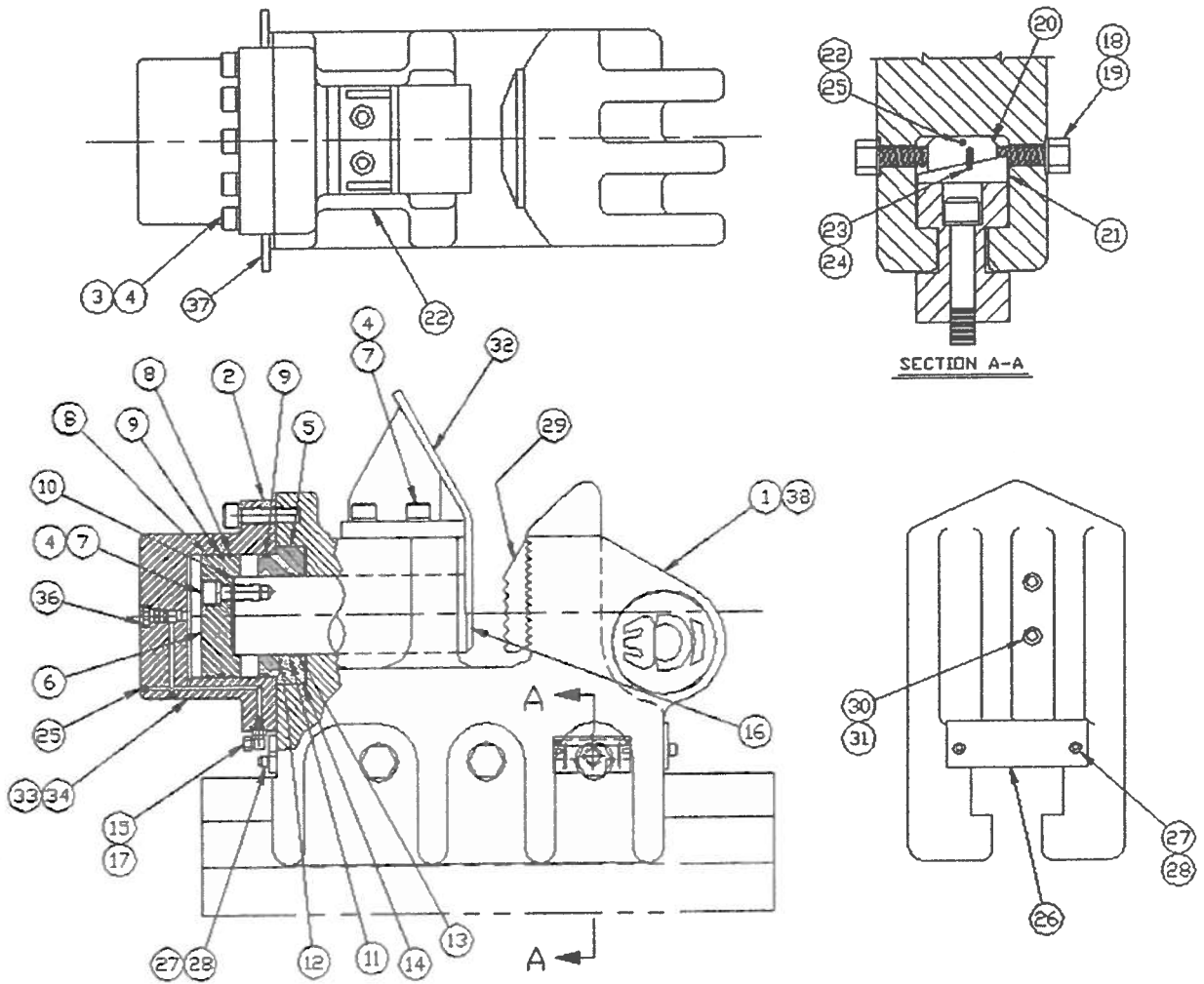
MODEL 122B CAISSON CLAMP



800409-DIM

MODEL 122B CAISSON CLAMP

Assembly No. 800409



MODEL 122B CAISSON CLAMP

Assembly No. 800409

Item	Part Number	Qty	Part Description
1	810183	1	Clamp body
2	810491	1	Cylinder housing
3	100212	10	1.00-8UNC X 4.00 SHCS
4	1X8512	17	1.00 Hi-Collar Lock Washer
5	120633	1	Rod end cap
6	120635	1	Piston
7	100213	7	1.00-8UNC X 2.50 SHCS
	810633	1	Seal kit (Includes items 8-14)
8	120285	2	Piston bearing
9	120283	2	Piston seal
10	120687	1	Rod bearing (122B)
11	120289	1	Rod wiper
12	120401	1	2-269 O-ring
13	120683	1	248-O-RING
14	120685	1	Rod seal (122B)
15	130057	2	FITT2L-06M06R000-000H001
16	120637	1	Cylinder rod
17	1X8587	2	FITT2C-06J000000-000H001
18	810109	3	Screw assembly
19	120111	6	1.25 HS Washer
20	120101	3	Wedge
21	120103	3	Lock
22	1X812	4	1/8" Grease fitting
23	120113	12	Drive pin
24	120115	6	Spring
25	1X823	7	FITT2P-02P000000-000S001
26	120119	1	Wedge guard
27	100119	4	0.50-13UNC X 1.25 SHCS
28	100121	4	0.50 Lock Washer
29	120261	1	Model 122 fixed jaw
30	100773	2	0.625-11UNC X 4.50 SHCS
31	100007	2	0.625 Lock Washer
32	120259	1	Pile guide
33	730045	1	Clamp serial number plate
34	1X1516	4	#10 X 3/8" Drive screw Type U
35	120761	1	Pointed set screw
36	120629	1	Holding valve cartridge
38	100298	1	ICE Green Paint (gallon)

MODEL 122BH CAISSON CLAMP WITH HYDROLOCK

Assembly No. 800410

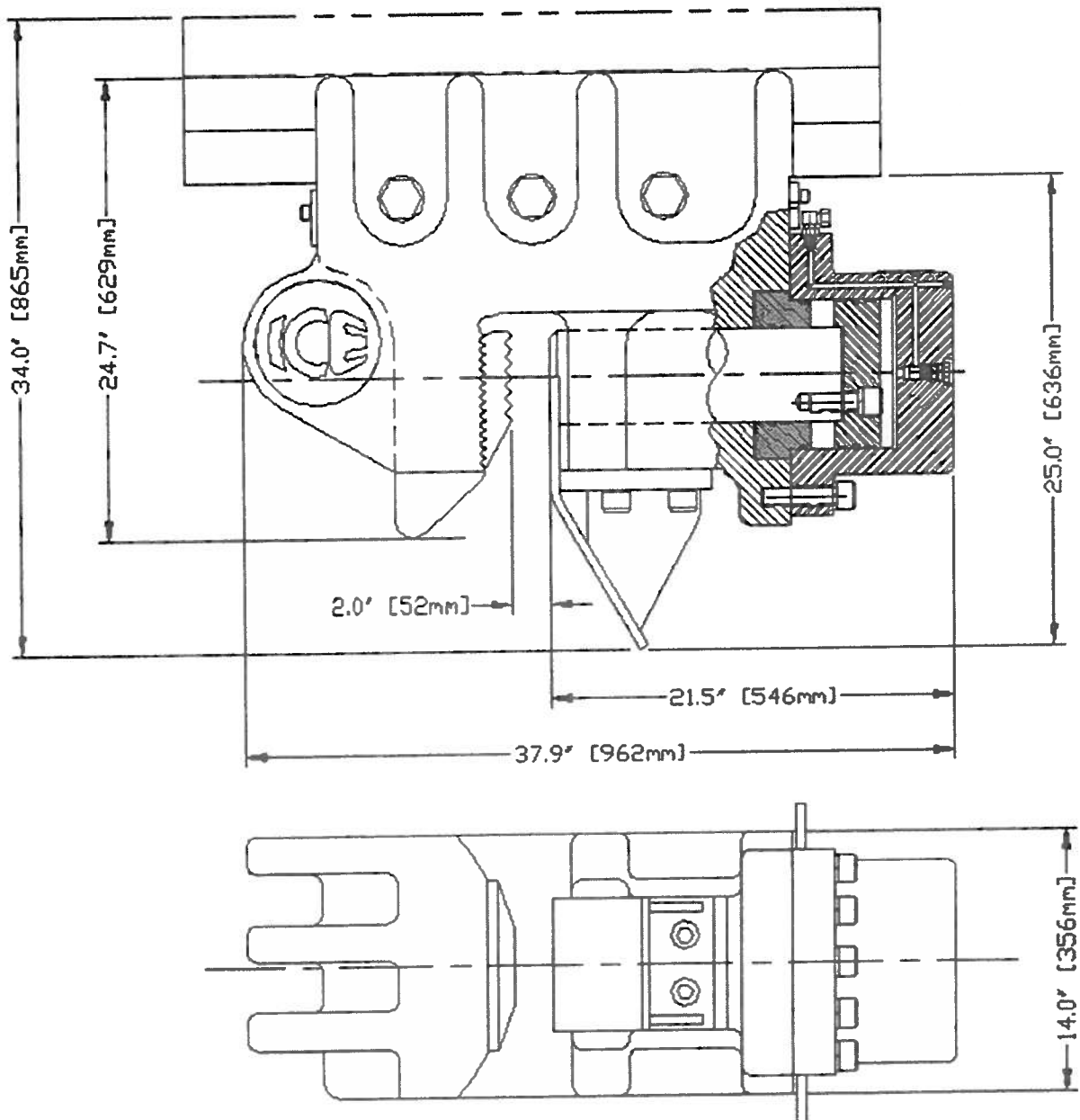
Manufactured May 03 to present

Serial numbers C56263 and up

Clamping force – 126 tons at 5000 psi, 978 kN at 345 bar

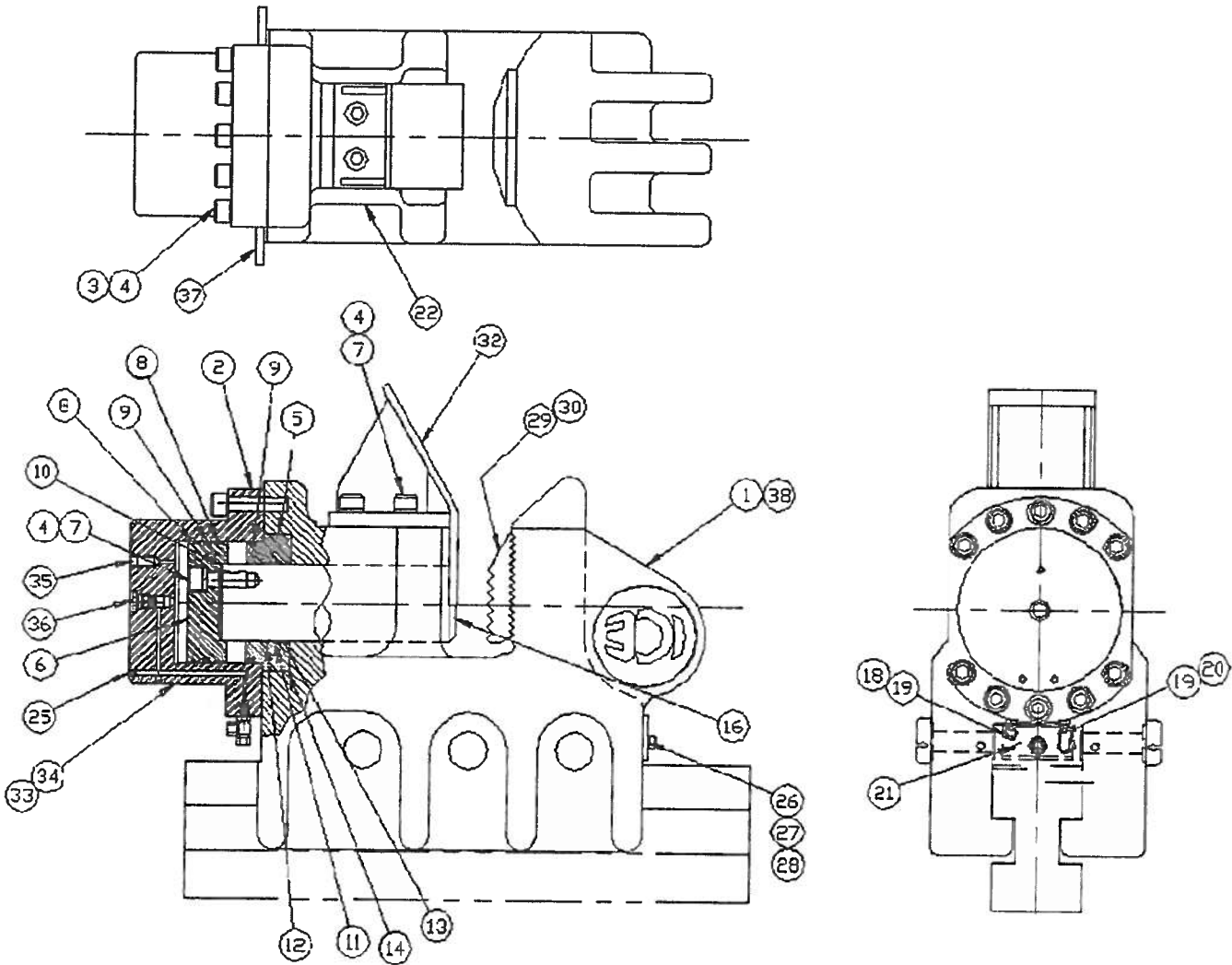
Weight – 1776 lb, 806 kg

Serial number location – Clamp serial number plate, stamped on clamp body and cylinder housing



MODEL 122BH CAISSON CLAMP WITH HYDROLOCK

Assembly No. 800410



MODEL 122BH CAISSON CLAMP WITH HYDROLOCK

Item	Part Number	Qty	Part Description
1	810183	1	Clamp body
2	810491	1	Cylinder housing
3	100212	10	1.00-8UNC X 4.00 SHCS
4	100213	7	1.00-8UNC X 2.50 SHCS
5	120633	1	Rod end cap
6	120635	1	Piston
7	1X8512	17	1.00 Hi-Collar Lock Washer
	810633	1	Seal kit (Includes items 8-14)
8	120285	2	Piston bearing
9	120283	2	Piston T-seal
10	120683	1	248 O-ring
11	120685	1	Rod T-seal (122B)
12	120687	1	Rod Bearing
13	120289	1	Rod Wiper
14	120401	1	2-269 O-Ring
16	120637	1	Cylinder rod
18	1X8587	2	FITT2C-06J000000-000H001
19	130057	1	FITT2L-06M06R000-000H001
20	120655	1	FITT2T-06M06R06M-000H001
21	800559	1	142BHL HydroLock Assembly
22	1X812	2	1/8" Grease fitting
25	1X823	8	FITT2P-02P000000-000S001
27	100119	4	0.50-13UNC X 1.25 SHCS
28	100121	6	0.50 Lock Washer
29	120261	1	Model 122 fixed jaw
30	100773	2	0.625-11UNC X 4.50 SHCS
31	100007	2	0.625 Lock Washer
32	120259	1	Pile guide
33	730045	1	Clamp serial number plate
34	1X1516	4	#10 X 3/8" Drive screw Type U
35	120761	1	Pointed set screw
36	120629	1	Holding valve cartridge
38	100298	0.25	ICE Green Paint (gallon)

